

VOLVO SCREED

# WEDGE-LOCK® SCREEDS



# THE TIMELESS QUALITY OF A CLASSIC

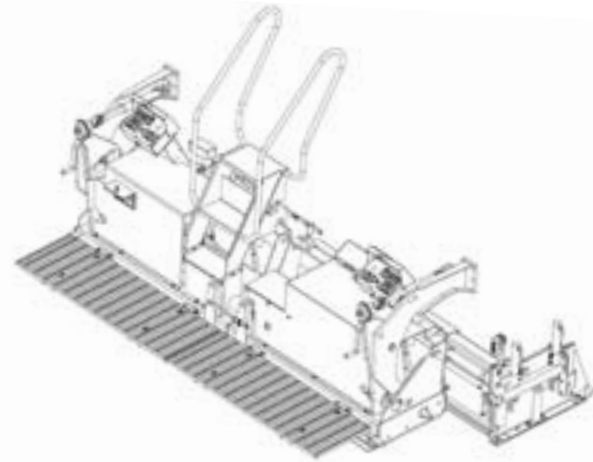
The Wedge-Lock® screed series was the first introduced by Blaw-Knox, and today this classic screed is still meeting the performance needs of specialized markets. Simple and inexpensive to run, our Wedge-Lock models are fixed-width, vibratory screeds with one-piece, bolt-on, abrasion-resistant plates. The screed height can be adjusted on the fly for precise control of even the most tender mixes. Wedge-Lock screeds also feature electrical control consoles for convenient switching of the power flow gates, auger conveyor speed range selector, diesel heater controls, and more.

## Performance Features

- 2,44 – 3,05 m (**8' – 10'**) standard paving widths
- Hydraulic vibrator drive for frequency control up to 52 Hz (**3100 vpm**)
- Adjustable eccentric weights on vibrator shaft
- Curved pre-strikeoffs
- Spring-loaded MatStop® edger plates with replaceable wear shoes

## Options

- Extensions of 152 mm (**6"**), 305 mm (**12"**), 610 mm (**24"**), and 914 mm (**36"**); includes mounting hardware
- Cut-off plates for paving in narrow locations
- Power slope



# SPECIFICATIONS

Dimensions		8' Wedge-Lock	8' Wedge-Lock with 2.5/5 Hydraulic Extensions	10' Wedge-Lock	10' Wedge-Lock with 3/6 Hydraulic Extensions	10' Wedge-Lock	10' Wedge-Lock with 3/6 Hydraulic Extensions
Basic Screed Width	m (ft)	2,44 (8)	2,44 (8)	3,05 (10)	3,05 (10)	3,05 (10)	3,05 (10)
Standard Paving Width	m (ft)	2,44 (8)	2,44 – 3,96 (8 – 13)	3,05 (10)	3,05 – 4,88 (10 – 16)	3,05 (10)	3,05 – 4,88 (10 – 16)
Maximum Paving Width w/ Extensions	PF4410 m (ft) PF2181 PF161	7,62 (25) 6,40 (21) 5,79 (19)	7,62 (25) 6,40 (21) 5,79 (19)	6,40 (21) (all models)	6,40 (21) (all models)	6,40 (21) (all models)	6,40 (21) (all models)
Paving Depth Range	mm (in)	6 – 203 (0.25 – 8)	6 – 203 (0.25 – 8)	6 – 305 (0.25 – 10)	6 – 305 (0.25 – 10)	6 – 305 (0.25 – 10)	6 – 305 (0.25 – 10)
Screed Plate Width – Main	mm (in)	623 (24.5)	623 (24.5)	724 (28.5)	724 (28.5)	724 (28.5)	724 (28.5)
Screed Plate Width – Extensions	mm (in)	623 (24.5)	146 (5.75)	724 (28.5)	163 (6.38)	724 (28.5)	163 (6.38)
Screed Plate Thickness	mm (in)	13 (0.5)	13 (0.5)	13 (0.5)	13 (0.5)	13 (0.5)	13 (0.5)
Screed Weight	kg (lb)	1 179 (2,600)	1 588 (3,500)	2 041 (4,500)	2 692 (5,935)	2 332 (4,700)	2 783 (6,135)
<b>Compaction</b>							
Vibrators	Main Screed	4	4	4	4	4	4
Vibrators	Extensions	As Required	–	As Required	–	As Required	–
Vibrator Speed	Hz (vpm)	0 – 52 (0 – 3100)	0 – 52 (0 – 3100)	0 – 52 (0 – 3100)	0 – 52 (0 – 3100)	0 – 52 (0 – 3100)	0 – 52 (0 – 3100)
Center Power Crown	mm (in)	76 (3) positive to 19 (0.75) negative	76 (3) positive to 19 (0.75) negative	76 (3) positive to 19 (0.75) negative	76 (3) positive to 19 (0.75) negative	76 (3) positive to 19 (0.75) negative	76 (3) positive to 19 (0.75) negative
Extension Power Slope		Mechanical	Mechanical – Standard Elect/Hyd – Optional	Mechanical	Electric/Hydraulic	Mechanical	Electric/Hydraulic
Extension Height Adjustment (relative to main)		–	Mechanical	–	Mechanical	–	Mechanical
Mat Depth Control		Manual – Standard Elect/Hyd – Optional	Manual – Standard Elect/Hyd – Optional	Manual – Standard Elect/Hyd – Optional	Manual – Standard Elect/Hyd – Optional	Manual – Standard Elect/Hyd – Optional	Manual – Standard Elect/Hyd – Optional
<b>Heating</b>							
Screed Heat Pads	Main	–	–	–	–	2	2
Screed Heat Pads	Extensions	–	–	–	–	–	–
Screed Heat Type		Diesel	Diesel	Diesel	Diesel	Electric	Electric
<b>Miscellaneous</b>							
Fits Volvo Pavers		PF4410, PF2181, PF161	PF4410, PF2181, PF161	PF3172	PF3172	PF3172	PF3172
Electric Generator	kW (hp)	–	–	–	–	16 (21.4)	16 (21.4)
Comm #, Screed	PF4410 PF2181 PF161 PF3172	20340410 20340394 20340410 –	20340436 20340428 20340436 –	– – – 20340303	– – – 20340329	– – – 20340261	– – – 20340287
Comm #, 305 mm (1') Extension, Heat Only		20229605	20229605	20223327	20223327	20342200	20342200
Comm #, 305 mm (1') Extension, Heat and Vibration RH or LH		20229829	202298929	20223384	20223384	20342218	20342218

Product improvement is a continuing goal at Volvo. Designs and specifications are subject to change without notice or obligation.

# VOLVO CONSTRUCTION EQUIPMENT

Volvo Construction Equipment is different. Our machines are designed, built and supported in a different way. That difference comes from an engineering heritage of over 180 years. A heritage of thinking first about the people who actually use the machines. About how to help them be safer, more comfortable, more productive. About the environment we all share. The result of that thinking is a growing range of machines and a global support network dedicated to helping you do more. People around the world are proud to use Volvo.

Not all products are available in all markets. Under our policy of continuous improvement, we reserve the right to change specifications and design without prior notice. The illustrations do not necessarily show the standard version of the machine.

# **VOLVO**

**Volvo Construction Equipment**  
**[www.volvoce.com](http://www.volvoce.com)**

Ref. No 20032711-A  
2012.07  
Volvo, Global Marketing

English-22  
SCR