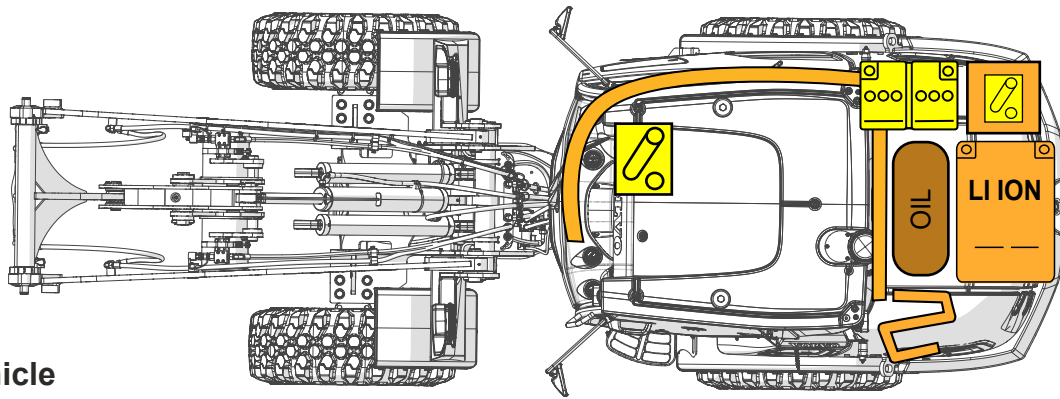
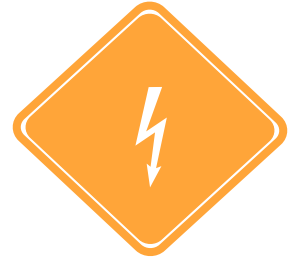




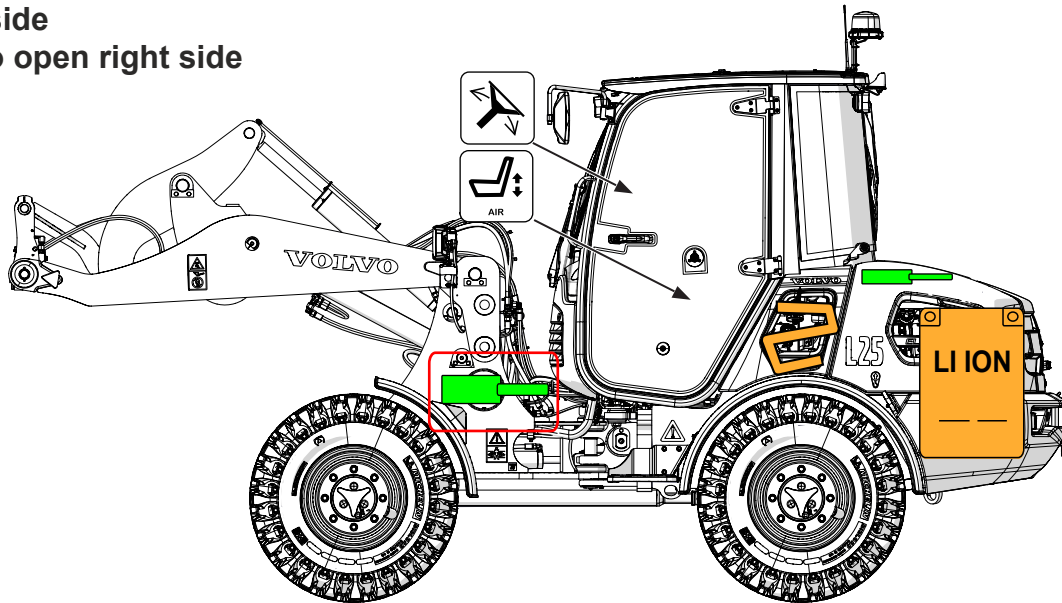
# VOLVO Wheel loader

## L25 ELECTRIC



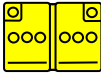





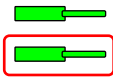



6 lithium-ion batteries rear

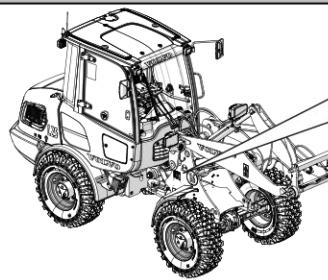
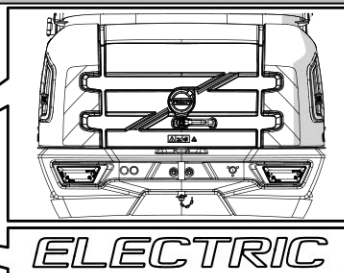
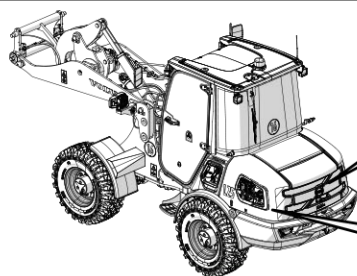
≤6 ton vehicle  
 6 lithium-ion batteries  
 1 door left side  
 1 window to open right side  
 1 seat



6 lithium-ion batteries rear

 High voltage lithium-ion battery	 Low voltage device that disconnects the high voltage	 Low voltage battery	 Oil tank	 Seat adjustment	
 Steering wheel tilt control	 High voltage component	 High voltage cable	 Gas strut, pre-loaded gas cylinder	 Ignition key	

# 1. Identification/recognition

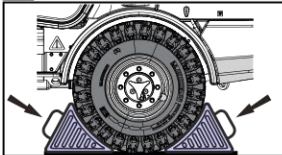


Volvo Construction Equipment	
Volvo Construction Equipment Germany GmbH Mer-Planck-Strasse 1, D-54920 Konz, Germany	
Type/Model	WHEELLOADER/JL25H
Product Name	L25 electric
Product Identification Number	XVCEJL25Hxxxxxxxxx
Machine mass kg	
Engine power kW	
Manufacturing year	
Made in	Assembled in
VOLVO	
1028110	

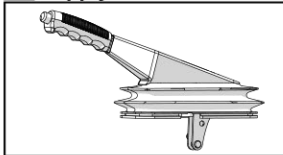
# 2. Immobilisation/stabilization/lifting

Always approach the vehicle from the sides to stay out of the potential travel path. It may be difficult to determine, if the vehicle is running due to lack of noise.

## 1 Chock the wheels



## 2 Apply the handbrake



# 3. Disable direct hazardous/safety regulations

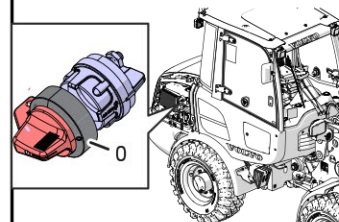
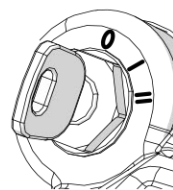


1 Turn off the ignition and remove the key.

2 Open the engine hood.



3 On the right hand side turn the battery disconnect switch to the off position 0.



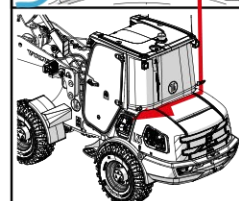
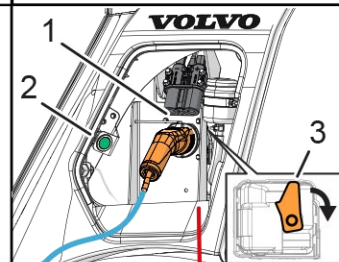
➡ If the machine is charging and connected with a **standard charging connector**

1 Disconnect the connector from the charging source, if possible.

2 Open the charging flap behind the cab door (see red arrow).

3 Press the button (2) (charging initiating button) to interrupt the charging procedure or rotate the lever (3) to release the locking pin manually.

4 Disconnect the connector (1) from the machine.

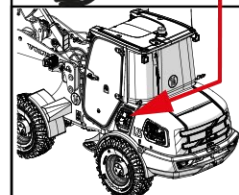
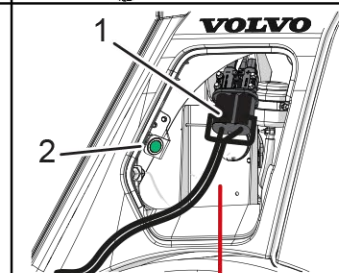


➡ If the machine is charging and connected with a **fast charging connector**

1 Open the charging flap behind the cab door (see red arrow).

2 Press the button (2) (charging initiating button) to interrupt the charging procedure.

3 Disconnect the connector (1) from the machine.



## 4. Stored energy / liquid / gases / solid

48 V high voltage lithium-ion battery



50 L

OIL

## 5. In case of fire



Use large sustained volume of water for lithium-ion battery related fire.



Class ABC fire extinguisher can be used if other materials are involved.



In case of thermal runaway, hydrogen fluoride can be released by the lithium-ion batteries.

## 6. In case of water submersion



The damage level of a submerged vehicle may not be visible.

Submersion in water can damage 12 V and 48 V components.

Handling a submerged vehicle without appropriate Personal Protective Equipment (PPE) will result in serious injury or death from electric shock.

Avoid any contact with 48 V cables and electric components.

If possible disable direct hazards (See chapter 3).

## 7. Towing / transportation / storage



If the traction batteries are damaged, there can be a risk of thermal or chemical reaction.

The electric vehicle met with an accident must be parked in a suitable place by maintaining a safe distance from other vehicles, buildings and combustible objects.



Risk of late fire can happen, after the fire suppression or in case the lithium-ion batteries are damaged.

Observe the vehicle for a minimum period of 48 hours using a thermal infrared camera.

## 8. Important additional information



Do not cut any orange cables.

Do not touch any high voltage cables and electric components.

Do not perform any operation on a damaged vehicle without appropriate Personal Protective Equipment (PPE).

Identification number

55130554

Version number

01/2021

Page number

3