

Volvo Construction Equipment
Building Tomorrow



L25 ELECTRIC

Volvo Electric Compact Wheel Loaders 5.0 t



Adding business by Adding Silence

It's time to change the way things are done. We are committed to build the world we want to live in. A world where progress is made in a sustainable, efficient and peaceful way. Because we know that being sustainable equals being successful – what's good for people, society and the world is ultimately good for your business. So now we are launching a range of electric construction machines. Outstanding performance delivered with fewer vibrations, no exhaust fumes and less noise. The time has come to Add Silence.

The power you expect – The noise others want

This loader is ready for any job. Add to this the low noise levels that the L25 Electric offers and you open up a myriad of new opportunities to grow your business, be it working at night in urban areas or during the day close to noise sensitive locations like hospitals and parks. And just because it's battery powered, doesn't mean the result is any different. You get all the power you need to complete the job, only with minimum noise.



A premium product for premium products

It goes without saying that the L25 Electric is a superior product. Add the benefits of being locally emission free to the proven performance of the Volvo L25, boasting a high torque Z-bar linkage and a very compact design, and you are equipped for any job. With both standard and fast-charging options available it's easy to adapt, so having diesel on your hands or spillages to clean up will soon be a thing of the past.



All round comfort

Putting the operator first is nothing new for Volvo. Already among the most spacious in the industry, the ergonomically designed Volvo Care Cab has always been a pleasant place to be. With less vibration and lower noise – the L25 Electric takes it a step further. But comfort shouldn't stop with the operator – without an engine and ancillary parts, less maintenance time is required. Not only saving you money, but also a relief for those tasked with servicing those components in the confined spaces of equivalent diesel machines.



Keep your Volvo a Volvo!

Only with Volvo attachments do you get what you wanted when you bought a Volvo in the first place – maximum productivity and uptime. Volvo develops and offers a wide range of attachments, fully compatible with our electric machines, which brings you unmatched flexibility and versatility, making it easy for you to develop job opportunities and to get the job done with increased productivity.





ADD SILENCE

Noise pollution is often accepted as part of daily life. Put on your noise cancelling headphones and just keep going. But that's not a solution for the classroom of children trying to concentrate. Or the office worker taking their lunch break in the park. If it's a Volvo L25 Electric working close by, it will add some silence back, helping everyone to focus on what's important to them.

The innovative new L25 ELECTRIC

GET ACCESS TO NEW MARKETS

- Ability to work indoor
- Perfect fit for noise and dust sensitive areas
- Ability to work full shift
- Ability to work out of standard hours
- Equiped with On-Board charger
- Fast charging option – 0-100% in 2 Hours

EVERYTHING YOU'D EXPECT FROM VOLVO

- Compact Design and a Machine height below 2,5m made for the tightest construction sites
- Cab Comfort with the best all-round view and wide entry
- New HMI perfectly adapted to the new electric machine
- Z-bar linkage with high breakout force, excellent parallel movement on pallet forks and superior roll-back and dump angle
- Rigid planetary axles with 100% switchable differential for maximum traction and minimal tire wear
- Articulating-oscillating joint for best off-rad capability and stability
- Easy to maintain. All lubrication and maintenance points easily accessible.

WORK ANYTHING, ANYWHERE

- Wide range of Volvo attachments
- Z attachment quick coupler with integrated 3rd hydraulic function
- Outstanding versatility
- Compact design
- Electro-hydraulic controls



NEW LEVELS OF COMFORT

- Full LED lighting
- Low vibration
- Blows less dust
- Possibility to charge the machine at any point in time
- Less maintenance

ZERO EMISSION ELECTRIC POWER

- Increased efficiency
- Locally emission free
- Sound level down tremendously
- No idling
- Theft protected fixed battery
- Newest Li-Ion Battery 48V Technology with a capacity of 39kWh



Volvo L25 Electric in detail

Electrical system

Electrical system	Lithium-ion	
Battery Voltage	V	48
Battery capacity (full package)	kWh	39
	Ah	900
Indicative runtime	hours	8
On board charging time 230 VAC 8A	hours	~ 20
On board charging time 230 VAC 13A	hours	~ 13
On board charging time 230 VAC 16A	hours	~ 12
Off board charging time 400 VAC 32A	hours	~ 2
Auxiliary Battery Voltage	V	12
Auxiliary Battery capacity	Ah	52

Electrical motor

Driveline Motor type	Induction motor	
Driveline Motor power (peak)	kW	36
Working Hydraulics Motor type	Permanent magnet	
Working Hydraulics Motor power (peak)	kW	32

Linkage

Z-bar linkage providing high breakout force to the bucket and also parallel movement to the fork frame thanks to Volvo's specific kinematics.		
Linkage system	Z	
Lift cylinders	2	
Tilt cylinders	1	
Lift time (loaded)	s	6
Lowering time (empty)	s	4
Dump time	s	1.5

Tires

Size	335/80 R18
Rim	11 x 18

Brake system

Dry disc brake system for service and parking brake: reliable braking system, acting upon all four wheels.

Cab

Instrumentation: All important information is located in the operator's field of vision.

Hydraulic system

Thermal controlled oil circuit with integrated cooling system. Electric-Hydraulic control valve: double acting control valve with three spool system. Flow independent and fully controllable via joystick		
Working pressure max	MPa	23
Flow	l/min	55
3rd Hydraulic circuit pressure max	MPa	17.5
3rd Hydraulic circuit flow	l/min	55

Drivetrain

Angle of oscillation	± °	10
Oscillation at wheel, max.	mm	245
Track	mm	1 402
Travel speed, forward/reverse	km/h	16

Steering System

Hydrostatic steering. Central articulating-oscillating joint. Steering pump: gear-type with priority valve		
Steering cylinders	1	
Working pressure	MPa	19
Maximum flow	l/min	55
Max articulation	± °	38

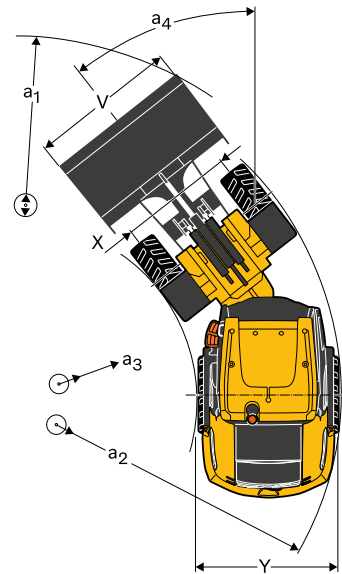
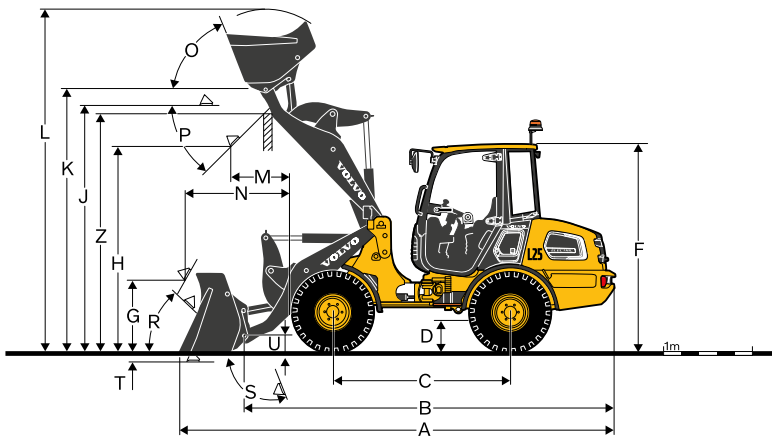
Service Refill



Hydraulic tank	l	37
Transmission oil	l	0.6
Front axle oil	l	5.5
Rear axle oil	l	5.5

Sound Level

Sound pressure level in cab according to ISO 6396:		
LpA	dB	72
External sound level according to ISO 6395 and EU Noise Directive 2000/14/EC		
LwA	dB	88

Specifications



	General Purpose		4 in 1	
				
Data according to bucket type				
L25 with z-bar linkage and 335/80 R18 tyres				
Capacity heaped	m ³	0.9	0.8	
Material density	kg/m ³	1 800	1 800	
Static tipping load, straight (ISO / DIS)	kg	3 615	3 300	
Static tipping load, full turn 38° (ISO / DIS)	kg	3 300	2 975	
Hydraulic lifting capacity, max.	kN	55	51.5	
Breakout force	kN	54.5	51.5	
A Total length	mm	5 265	5 305	
L Lift height, max.	mm	4 135	4 050	
V Bucket width	mm	1 800	1 800	
a ₁ Clearance circle	mm	8 650	8 675	
T Digging depth	mm	100	105	
H Dump height	mm	2 500	2 440	
M Reach at max. height	mm	745	730	
N Reach, max.	mm	1 525	1 510	
Operating weight	kg	5 000	5 100	

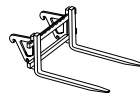
DIMENSIONS

L25 with z-bar linkage and 335/80 R18 tyres

B	mm	4 470
C	mm	2 125
D	mm	310
F	mm	2 480
G	mm	850
J	mm	2 970
K	mm	3 170
O	°	70
P	°	45
R	°	50
S	°	96
U	mm	200
X	mm	1 410
Y	mm	1 740
Z	mm	2 880
a ₃	mm	3 935
a ₂	mm	2 155
a ₄	°	±38

Data with loading fork

Centre of gravity 500 mm



Tipping load, full turn (ISO / DIS)	kg	2 500
Payload according to EN 474-3, 60/80%	kg	1 500/2 000
Payload 80%, transport position, 38° full turn	kg	2 400

Equipment

STANDARD EQUIPMENT

Drivetrain

Full electric drive
Operator-selected 100% differential locks in both axles

Electric / Electronic control system

Maintenance free 48V battery - protected and embeded in the machine structure
On-board charger with Type 2 socket
Standard charging cable with 3 plugs (domestic - white, CEE plug blue and red (for 230VAC 16A 1 phase)
Fast charging machine preparation with weather protected socket
Maintenance free 12V auxiliary battery
High quality connectors
Protected battery cut-off switch
In-cab 12V power socket
Full LED Lights - Travel light equipment (Main Head Lights, Parking-, Rear-, Brake-, Hazard warning lights and direction indicators)
Full LED Lights - Working lights (2front and 2rear)

Hydraulic system

Gear-type pump
Electric-Hydraulic control valve three-spool system
3rd hydraulic circuit
Hydraulic couplings for: 3rd hydraulic circuit

Cab

Adjustable steering column

Instrumentation & controls

Single lever incl. 3rd funtion - Electroproportional
12 Volt accessories socket
Signal horn
Hazard warning switch
Jogwheel for menu navigation
5 inch multicolor display
Digital information on 5inch Display:
Battery state of charge (SOC)
Operating hours
Differential locks
Battery charging
Indicators (left/right)
Main beam head lamp
Direction (forward/reverse)
Hydraulic oil temperature
Hydraulic oil filter
Parking brake
Jog-Dial for menu navigation and machine controls
Preset Work-Modes for different applications
Cruise Control

STANDARD EQUIPMENT

Safety

Rotating beacon
Audible reverse alarm
Anti-theft system

Cab, Exterior

ROPS/FOPS-cab with flexible mountings
Lockable door
All-round tinted safety glass
Windscreen wiper (front/rear)
Windscreen washer (front/rear)
Openable window on the right side
Door stops
External rear view mirrors (right/left)
4-way adjustable operator's seat
Orange Seat belt
Sunvisor
Heater with air-filter and defroster (front/rear)
Cab ventilation
Storage box in cab

Working Equipment

Hydraulic Z-Attachment bracket
Sweeper Preparation (7 pin electrical socket on boom)
Bucket level indicator

Carriage Body

Fenders (front/rear)
Lockable engine hood
Towing device
Lifting eyes
Tying down eyes

Service and maintenance

Tool kit

Official approval

Quality: DIN/ISO 9001
Environment: DIN/ISO 14001
Safety: CE compliant acc. Machinery Directive 2006/42/EC and EN 474-series
ROPS ISO 3471
FOPS ISO 3449
Noise Emission Directive 2000/14/EC
EMC 2014/30/EC
Tipping load / Payload: ISO 14397-1

OPTIONAL EQUIPMENT

Electric / Electronic control system

Off Board Fast charger





Keep it in the family

In addition to wheel loaders, the Volvo ECR25 Electric excavator is a true game changer. The first in a new range of electric compact excavators, it takes a proven concept – and then adds battery electric power, so you'll have all the performance you need, in the compact package you demand. Volvo CE is moving towards a brighter, more sustainable future, and now you can too.

VOLVO

Volvo Construction Equipment

volvoce.com