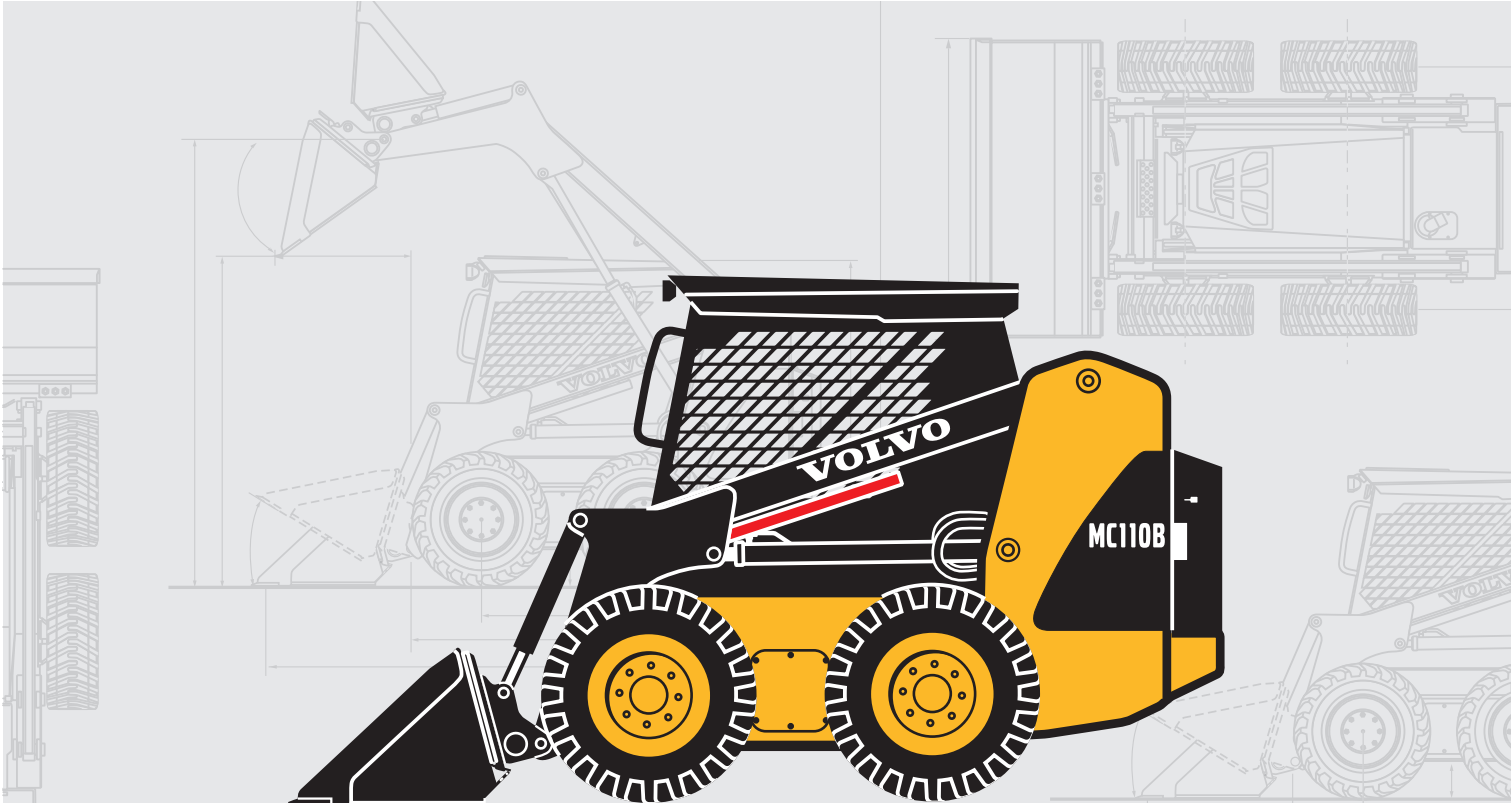


VOLVO SKID STEER LOADERS

MC60B, MC70B, MC80B, MC90B, MC110B



Model	MC60B	MC70B	MC80B	MC90B	MC110B
ROC	1400 lb (635 kg)	1500 lb (680 kg)	1850 lb (839 kg)	2000 lb (907 kg)	2400 lb (1088 kg)
Net HP	45.4 hp (33.8 kW)	53.9 hp (40.2 kW)	67.7 hp (50.5 kW)	83.5 hp (62.3 kW)	83.5 hp (62.3 kW)
Op Wt	5710 lbs (2590 kg)	5803 lb (2632 kg)	6826 lb (3096 kg)	6986 lbs (3169 kg)	7491 lb (3398 kg)

Productivity

- Large cylinders and powerful hydraulics for excellent breakout force needed when digging.
- Powerful and fuel-efficient Volvo engines feature direct injection for easy starting.
- 16-valve, cross-flow heads mean fuel efficiency and strong torque across the rpm range - power you need without excess fuel consumption.
- Universal quick-attach connects to dozens of attachments for a versatile tool carrier that can tackle any job.
- Auxiliary hydraulics engaged with effortless, fingertip controls for easy, productive attachment use.

Operator Comfort

- Large opening, convenient grab handles, and low threshold mean easy entry and exit.
- Deep cushion seat with high back supports you in comfort through long work days.
- Your choice of controls - traditional hand/foot, or pilot controls.

Serviceability

- Remote mount fuel pump, filter, & water separator for easy access & reduced maintenance expense.
- Engine oil drain tube for easy, convenient oil change.
- Tilt-forward cab allows full access to components.
- Lubed-for-life axle bearings never need routine greasing.
- Heavy-duty, bolt-on, cast-iron axle housings mean simple fast repairs and allow adjustment to extend the life of drive chains.
- Swing-out oil cooler simplifies cleaning between radiator and oil cooler.

Safety

- Excellent 3-dimensional visibility - top bottom, sides, front, rear.
- Back-up alarm, horn and battery disconnect all standard equipment.
- Retractable seat belts are convenient & easy to find and use.
- Loader arm support strut, lock position for rear door and raised cab.

Value

- Rugged one-piece welded mainframe provides strength for heavy-duty jobs.
- Direct-coupled transmission means strength and reliability compared to belt drive.
- Heavy-duty cast-iron rear bumper protects rear door and drive components.
- One-piece, forged, induction-hardened axles provide rugged, durable drive.
- Heavy-duty loader arms on large-frame models for extra strength.

MORE CARE. BUILT IN.



SPECIFICATIONS - MC60B, MC70B

Engine	MC60B	MC70B
Model	Volvo D2.2D	VolvoD2D
Cylinders	4	4
Fuel type	Diesel	Diesel
Displacement	134 in ³ (2.2 l)	122 in ³ (2 l)
Aspiration	Natural	Turbocharged
Cooling system	Liquid cooled	Liquid cooled
Horsepower		
SAE Gross	48.8 hp (36.4 kW)	57.2 hp (42.7 kW)
SAE Net	45.4 hp (33.8 kW)	53.9 hp (40.2 kW)
Max. Gross torque	105 ft-lb (142 Nm) @ 1000 rpm	118 ft-lb (160 Nm) @ 2000 rpm
Max no load Speed	3210 rpm	3150 rpm
Rated Speed	3000 rpm	3000 rpm

Electrical system

Battery	12 V - 120 Ah / 660 CCA	12 V - 120 Ah / 660 CCA
Alternator	12 V - 55 A	12 V - 55 A
Starter	12 V - 2.3 kW	12 V - 2.3 kW

Drivetrain

Axle torque	3947 lb (5356 Nm)	3947 lb-ft (5356 Nm)
Axle diameter	1.9 in (48.26 mm)	1.9 in (48.26 mm)
Drive chain	80 HV - Heavy series	80 HV - Heavy series
Tires	10.00-16.5, 8-PR 60"	10.00-16.5, 8-PR 66"

Hydraulics system-Loader

Std hydraulic pump output flow @ rated rpm	18.1 US gal/min (68.6 l/min)	19.4 US gal/min (73.4 l/min)
High flow pump output @ rated rpm	-	30.3 US gal/min (114.6 l/min)
System pressure	2700 psi (186 bar)	2700 psi (186 bar)

Service capacities

Cooling system	2.2 US gal (8.3 l)	2.2 US gal (8.3 l)
Engine crankcase with filter, change	2.35 US gal (8.95 l)	2.35 US gal (8.95 l)
Hydraulic System - Total capacity	16.4 US gal (62 l)	16.4 US gal (62 l)
Hydraulic Reservoir Capacity	14.8 US gal (56 l)	14.8 US gal (56 l)
Fuel tank data	16.4 US gal (62 l)	16.4 US gal (62 l)

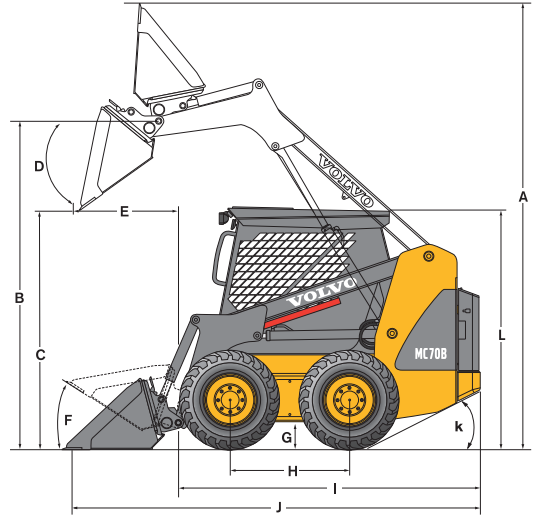
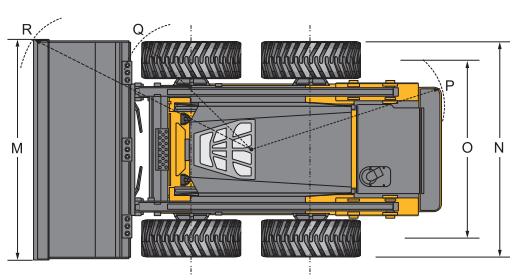
Performance

Rated operating capacity (SAE)	1400 lb (670 kg)	1500 lb (681 kg)
Tipping capacity (SAE)	2900 lb (1315 kg)	3000 lb (1361 kg)
Operating weight	5710 lb (2590 kg)	5803 lb (2632 kg)
Maximim travel speed	7.3 mph (11.7 km/h)	7.9 mph (12.7 km/h)
Breakout force, lift	2900 lbf (1290 daN)	3370 lbf (1499 daN)
Breakout force, curl	3840 lbf (1708 daN)	4070 lbf (1810 daN)

Cycle time:

Raise (Lifting)	2.7 seconds	2.5 seconds
Lower (Power down)	1.6 seconds	1.5 seconds
Dump (Tilt forward)	1.8 seconds	1.5 seconds
Curl (Tilt back)	1.6 seconds	1.4 seconds

Specifications are in accordance with SAE and ISO recommended practice. They are provided for machines with dirt bucket and tires specified in the drivetrain section of the data sheet. Rated operating capacity (SAEJ818) is equal to no more than 50% of tipping capacity.



- A Overall operating height
- B Height to hinge pin
- C Dump height
- D Dump angle
- E Dump reach
- F Roll back angle
- G Ground clearance
- H Wheelbase
- I Overall length (L/bucket)
- J Overall length (W/bucket)
- K Angle of departure
- L Overall height
- M Bucket width
- N Over tire width (L/bucket)
- O Tread width
- P Turning radius rear
- Q Turning radius front L/bucket
- R Turning radius front W/bucket

Model	A	B	C	D	E	F	G	H	I
MC60B	146.6" (3722 mm)	112.4" (2856 mm)	85.7" (2177 mm)	39.5°	23.5" (598 mm)	25°	6.8" (172 mm)	41.2" (1046 mm)	95.9" (2435 mm)
MC70B	146.6" (3722 mm)	112.4" (2856 mm)	85.7" (2177 mm)	39.5°	23.5" (598 mm)	25°	6.8" (172 mm)	41.2" (1046 mm)	95.9" (2435 mm)

Model	J	K	L	M	N	O	P	Q	R
MC60B	129.6" (3291 mm)	26°	77.1" (1958 mm)	68.0" (1727 mm)	59.8" (1518 mm)	49.1" (1247 mm)	63.4" (1610 mm)	49.5" (1257 mm)	76.9" (1954 mm)
MC70B	129.6" (3291 mm)	26°	77.1" (1958 mm)	68.0" (1727 mm)	65.3" (1658 mm)	54.6" (1386 mm)	63.4" (1610 mm)	49.5" (1257 mm)	76.9" (1954 mm)

Data with pallet fork (ISO 14397)	Tipping load	
	MC60B	MC70B
Center of gravity		
42" (1067 mm)	2044 lbs (927 kg)	2127 lbs (965 kg)
48" (1219 mm)	1871 lbs (849 kg)	2016 lbs (915 kg)

Data with pallet fork (ISO 14397)	Rated Operating Capacity	
	MC60B	MC70B
Center of gravity		
42" (1067 mm)	1022 lbs (464 kg)	1064 lbs (483 kg)
48" (1219 mm)	936 lbs (424 kg)	1008 lbs (457 kg)

Data According to Bucket Type	Bucket				
		Width	Weight	SAE Heaped cap	SAE Struck cap
MC60B MC70B	Dirt Bucket W/bolt-on edge	62" (1575 mm)	464 lbs (210.6 kg)	13.09 ft³ (0.37 m³)	9.2 ft³ (0.26 m³)
	Dirt Bucket W/bolt-on Adapters/teeth	62" (1575 mm)	441 lbs (200.2 kg)	12.54 ft³ (0.36 m³)	9.05 ft³ (0.26 m³)
	Landscape Bucket W/bolt-on edge	62" (1575 mm)	482 lbs (218.6 kg)	14.6 ft³ (0.41 m³)	10.27 ft³ (0.29 m³)
	Landscape Bucket W/bolt-on Adapters/teeth	62" (1575 mm)	459 lbs (208.2 kg)	14.05 ft³ (0.40 m³)	10.12 ft³ (0.29 m³)
	Dirt Bucket W/bolt-on edge	68" (1727 mm)	495 lbs (224.6 kg)	14.5 ft³ (0.41 m³)	10.12 ft³ (0.29 m³)
	Dirt Bucket W/bolt-on Adapters/teeth	68" (1727 mm)	473 lbs (214.3 kg)	14.0 ft³ (0.4 m³)	9.9 ft³ (0.28 m³)
	Landscape Bucket W/bolt-on edge	68" (1727 mm)	512 lbs (232.3 kg)	16.16 ft³ (0.46 m³)	10.31 ft³ (0.32 m³)
	Landscape Bucket W/bolt-on Adapters/teeth	68" (1727 mm)	490 lbs (222 kg)	15.65 ft³ (0.44 m³)	11.14 ft³ (0.32 m³)
MC70B	Dirt Bucket W/bolt-on edge	74" (1880 mm)	538 lbs (244.2 kg)	16.71 ft³ (0.47 m³)	11.8 ft³ (0.33 m³)
	Dirt Bucket W/bolt-on Adapters/teeth	74" (1880 mm)	510 lbs (231.4 kg)	16.1 ft³ (0.46 m³)	11.55 ft³ (0.33 m³)
	Landscape Bucket W/bolt-on edge	74" (1880 mm)	562 lbs (254.9 kg)	19 ft³ (0.54 m³)	13.3 ft³ (0.38 m³)
	Landscape Bucket W/bolt-on Adapters/teeth	74" (1880 mm)	534 lbs (242.1 kg)	18.42 ft³ (0.52 m³)	13.11 ft³ (0.37 m³)

SPECIFICATIONS - MC80B, MC90B, MC110B

Engine	MC80B	MC90B	MC110B
Model	Volvo D3.4D	Volvo D3.4D	Volvo D3.4D
Cylinders	4	4	4
Fuel type	Diesel	Diesel	Diesel
Displacement	202 in ³ (3.3 l)	202 in ³ (3.3 l)	202 in ³ (3.3 l)
Aspiration	Natural	Turbocharged	Turbocharged
Cooling system	Liquid cooled	Liquid cooled	Liquid cooled
Horsepower			
SAE Gross	69.8 hp (52.1 kW)	85.6 hp (63.9 kW)	85.6 hp (63.9 kW)
SAE Net	67.7 hp (50.5 kW)	83.5 hp (62.3 kW)	83.5 hp (62.3 kW)
Max. Gross torque	172 ft-lb (234 Nm) @ 1200 rpm	213 ft-lb (289 Nm) @ 1850 rpm	213 ft-lb (289 Nm) @ 1850 rpm
Max no load Speed	2650 rpm	2650 rpm	2650 rpm
Rated Speed	2500 rpm	2500 rpm	2500 rpm

Electrical system

Battery	12 V - 120 Ah / 660 CCA	12 V - 120 Ah / 660 CCA	12 V - 120 Ah / 660 CCA
Alternator	12 V - 55 A	12 V - 55 A	12 V - 55 A
Starter	12 V - 3 kW	12 V - 3 kW	12 V - 3 kW

Drivetrain

Axle torque	3947 lb-ft (5356 Nm)	3947 lb-ft (5356 Nm)	4808 lb-ft (6524 Nm)
Axle diameter	1.9 in (48 mm)	1.9 in (48 mm)	2.4 in (61 mm)
Drive chain	80 HV - Heavy series	80 HV - Heavy series	100 HV - Heavy series
Tires	12.00-16.5, 10-PR	12.00-16.5, 12-PR	12.00-16.5, 12-PR

Hydraulics system-Loader

Std hydraulic pump output flow @ rated rpm	21.4 US gal/min (81 l/min)	21.4 US gal/min (81 l/min)	21.4 US gal/min (81 l/min)
High flow pump output @ rated rpm	-	28.5 US gal/min (108 lpm)	28.5 US gal/min (108 lpm)
System pressure	3000 psi (207 bar)	3000 psi (207 bar)	3000 psi (207 bar)

Service capacities

Cooling system	3.7 US gal (14 l)	3.7 US gal (14 l)	3.7 US gal (14 l)
Engine crankcase with filter, change	2.9 US gal (10.95 l)	2.9 US gal (10.95 l)	2.9 US gal (10.95 l)
Fuel tank	20.6 US gal (78 l)	20.6 US gal (78 l)	24.5 US gal (93 l)
Hydraulic System - Total capacity	22.9 US gal (87 l)	22.9 US gal (87 l)	25.4 US gal (96 l)
Hydraulic Reservoir Capacity	18.7 US gal (71 l)	18.7 US gal (71 l)	21.9 US gal (83 l)

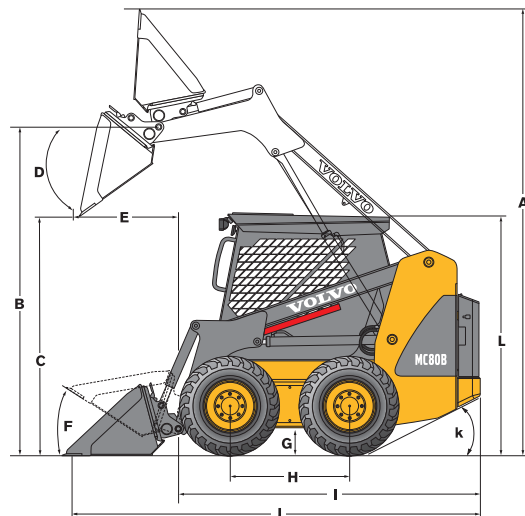
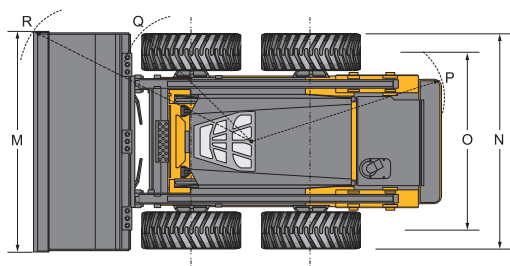
Performance

Rated operating capacity (SAE)	1850 lb (839 kg)	2000 lb (907 kg)	2400 lb (1088 kg)
Tipping capacity (SAE)	4000 lb (1814 kg)	4030 lb (1828 kg)	4800 lb (2177 kg)
Operating weight (SAE)	6826 lb (3096 kg)	6986 lb (3169 kg)	7491 lbs (3398 kg)
Maximum travel speed	7.1 mph (11.4 km/h)	7.1 mph (11.4 km/h)	7.1 mph (11.4 km/h)
Breakout force, lift	3970 lbf (1766 daN)	4120 lbf (1833 daN)	5880 lbf (2615 daN)
Breakout force, curl	5400 lbf (2402 daN)	5400 lbf (2402 daN)	5575 lbf (2480 daN)

Cycle time:

Raise (Lifting)	2.9 seconds	2.9 seconds	3.5 seconds
Lower (Power down)	1.5 seconds	1.5 seconds	2.1 seconds
Dump (Tilt forward)	2.1 seconds	2.1 seconds	2.3 seconds
Curl (Tilt back)	1.5 seconds	1.5 seconds	1.8 seconds


Specifications are in accordance with SAE and ISO recommended practice. They are provided for machines with dirt bucket and tires specified in the drivetrain section of the data sheet. Rated operating capacity (SAEJ1818) is equal to no more than 50% of tipping capacity.

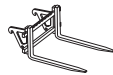


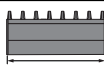

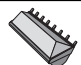
- A Overall operating height
- B Height to hinge pin
- C Dump height
- D Dump angle
- E Dump reach
- F Roll back angle
- G Ground clearance
- H Wheelbase
- I Overall length (L/bucket)
- J Overall length (W/bucket)
- K Angle of departure
- L Overall height
- M Bucket width
- N Over tire width (L/bucket)
- O Tread width
- P Turning radius rear
- Q Turning radius front L/bucket
- R Turning radius front W/bucket

Model	A	B	C	D	E	F	G	H	I
MC80B	156.4" (3972 mm)	119.7" (3039 mm)	90.2" (2290 mm)	40°	21.9" (555 mm)	29°	7.7" (195 mm)	44.3" (1124 mm)	101.8" (2585 mm)
MC90B	156.6" (3979 mm)	119.9" (3046 mm)	90.4" (2297 mm)	40°	21.9" (555 mm)	29°	8.0" (202 mm)	44.3" (1124 mm)	101.8" (2585 mm)
MC110B	156.4" (3973 mm)	119.7" (3041 mm)	90.3" (2293 mm)	40°	21.7" (550 mm)	29°	7.7" (196 mm)	48.8" (1240 mm)	103.6" (2632 mm)

Model	J	K	L	M	N	O	P	Q	R
MC80B	137.8" (3499 mm)	28°	79.9" (2028 mm)	74" (1880 mm)	72.3" (1838 mm)	59.7" (1517 mm)	66.3" (1464 mm)	54.1" (1375 mm)	82.9" (2104 mm)
MC90B	137.8" (3499 mm)	28°	80.1" (2035 mm)	74" (1880 mm)	72.3" (1838 mm)	59.7" (1517 mm)	66.3" (1428 mm)	54.1" (1375 mm)	82.9" (2104 mm)
MC110B	139.6" (3546 mm)	29°	79.9" (2030 mm)	74" (1880 mm)	72.3" (1838 mm)	59.8" (1518 mm)	66.1" (1678 mm)	56.1" (1426 mm)	84.8" (2154 mm)

Data with pallet fork (ISO 14397)	 Tipping load		
	MC80B	MC90B	MC110B
Center of gravity			
42" (1067 mm)	2593 lbs (1176 kg)	3017 lbs (1369 kg)	3525 lbs (1599 kg)
48" (1219 mm)	2565 lbs (1164 kg)	2824 lbs (1281 kg)	3361 lbs (1525 kg)

Data with pallet fork (ISO 14397)	 Rated Operating Capacity		
	MC80B	MC90B	MC110B
Center of gravity			
42" (1067 mm)	1297 lbs (588 kg)	1509 lbs (684 kg)	1763 lbs (800 kg)
48" (1219 mm)	1283 lbs (582 kg)	1412 lbs (641 kg)	1681 lbs (762 kg)

Data According to Bucket Type	Bucket	 			
		Width	Weight	SAE Heaped cap	SAE Struck cap
MC80B MC90B MC110B	Dirt Bucket w/bolt-on edge	74" (1880 mm)	538 lbs (244.2 kg)	16.71 ft³ (0.47 m³)	11.8 ft³ (0.33 m³)
	Dirt Bucket W/bolt-on Adapters/teeth	74" (1880 mm)	510 lbs (231.4 kg)	16.1 ft³ (0.46 m³)	11.55 ft³ (0.33 m³)
	Landscape Bucket w/bolt-on edge	74" (1880 mm)	562 lbs (254.9 kg)	19 ft³ (0.54 m³)	13.3 ft³ (0.38 m³)
	Landscape Bucket W/bolt-on Adapters/teeth	74" (1880 mm)	534 lbs (242.1 kg)	18.42 ft³ (0.52 m³)	13.11 ft³ (0.37 m³)
	Dirt Bucket w/bolt-on edge	82" (2083 mm)	581 lbs (263.4 kg)	18.66 ft³ (0.53 m³)	13.11 ft³ (0.37 m³)
	Dirt Bucket W/bolt-on Adapters/teeth	82" (2083 mm)	551 lbs (249.7 kg)	18.01 ft³ (0.51 m³)	12.86 ft³ (0.36 m³)
	Landscape Bucket w/bolt-on edge	82" (2083 mm)	606 lbs (274.9 kg)	21.24 ft³ (0.60 m³)	14.78 ft³ (0.42 m³)
	Landscape Bucket W/bolt-on Adapters/teeth	82" (2083 mm)	576 lbs (261.2 kg)	20.58 ft³ (0.58 m³)	14.53 ft³ (0.41 m³)

MC60B, MC70B, MC80B, MC90B, MC110B

STANDARD EQUIPMENT

Engine

Volvo brand, 4-cylinder, liquid-cooled, 16-valve, direct-injection diesel engines
Meet US EPA Tier III standards
Self-cleaning, dual-element, air cleaner
Dual element dry air cleaner
Remote-mount fuel filter
Remote-mount water separator
Remote-mount electric fuel pump
12-Volt heavy-duty starter
Alternator with internal regulator
Quick cycle engine preheat
Engine oil remote drain hose
High-capacity radiator
Anti-freeze protection to -35 degrees F
Separate, tilt-out hydraulic oil cooler

Electrical

Heavy-duty, maintenance-free battery
Engine start/stop key switch
Fuel gauge
Coolant temperature gauge
Hour meter
Two front 50-Watt work lights
Master electrical shut-off switch
In-cab fuse panel accessible without tools
Sealed electrical connectors meet IP65 water ingress standard

Warning lights:

Air filter restriction, alternator output, seat belt use, hydraulic filter restriction, hydraulic oil temperature, battery charge
Warning lights with audible alarm:
Engine coolant temperature, engine oil pressure and hydraulic oil temperature

Transmission

Two variable displacement piston pumps mounted in tandem
Two fixed displacement high torque motors

Hydraulics

Lift-arm mounted auxiliary hydraulics with standard flat face couplers (ISO 16028)
5 micron hydraulic oil filter mounted in tank

Safety

Lift-arm support strut
Electric lift and tilt hydraulic lockouts
Back-up alarm
Automatic parking brake
Emergency exit rear window
Horn
Rear and top door props

Cab

Top window
Rear window/secondary escape.
Deluxe, high-back, super-comfort seat with fore-aft adjustment and seatback angle adjustment.
2" retractable seat belt
Operator seat bar
Dual travel/steering levers
Dual, adjustable-angle foot pedals
Tilt forward ROPS/FOPS cab
12-Volt power accessory outlet

Other

Lockable rear door and engine cover
Quick-Attach mounting frame
Lockable fuel cap

OPTIONAL EQUIPMENT

Cab

Adjustable suspension seat
Cab enclosure with side windows, heater/blower, front door with washer/wiper
Cab enclosure with side windows, heater/blower, air-conditioning, front door with washer/wiper
Special applications kit with polycarbonate front door
5-button attachment control w/Harness & 14-pin connector plug
3" retractable seat belt
3-point seat belt (3" lap with 2" shoulder)
4-Point lift kit

Controls

Electro-proportional auxiliary hydraulic control
Pilot-operated joystick controls

Engine

Engine block heater
Engine auto-idling

Hydraulics

Hydraulic reservoir heater
High flow hydraulics
Hydraulic self level (lift only)

Electrical

Rotating beacon light
Rear work lights
Anti-theft function

Tires

Standard duty lug tires
Heavy-duty lug Tires
Over-the-tire steel tracks



Volvo Construction Equipment is different. It's designed, built and supported in a different way. That difference comes from an engineering heritage of over 170 years. A heritage of thinking first about the people who actually use the machines. About how to help them be safer, more comfortable, more productive. About the environment we all share. The result of that thinking is a growing range of machines and a global support network dedicated to helping you do more. People around the world are proud to use Volvo. And we're proud of what makes Volvo different - **More care. Built in.**



Not all products are available in all markets. Under our policy of continuous improvement, we reserve the right to change specifications and design without prior notice. The illustrations do not necessarily show the standard version of the machine.

VOLVO

Volvo Construction Equipment
www.volvoce.com/na

Ref. No. 22 2 000 9902
Printed in PDF 06/09
Volvo, Asheville
Copyright © 2009 Volvo

English
USA