

VOLVO PIPELAYER PL4608



Volvo Pipelayers are purpose designed and built to meet the rugged application requirements of the pipeline industry. Their design provides state-of-the-art safety and lifting technology in a 360-degree working platform. Versatility to be converted to a conventional excavator further increases their potential for utilization.

MORE CARE. BUILT IN.



SPECIFICATIONS

Max. Tipping Capacity

80,000 kg **176,370 lb**

Engine

Volvo Pipelayers use the next generation diesel engine with Volvo Advanced Combustion Technology (V-ACT) to deliver lower emissions and maintain superior performance and fuel efficiency. The EU Stage IIIA / EPA Tier 3 compliant engine uses precise, high-pressure fuel injectors, turbo charger and air-to-air intercooler and electronic engine controls to optimize machine performance.

Engine	Volvo D12D EAE3	
Max. power, at	30 r/s	1,800 rpm
Net (ISO 9249, SAE J1349)	235 kW	315 hp
Gross (SAE J1995)	245 kW	329 hp
Max. torque @ 1,350 rpm	1,720 Nm	1,269 lb-ft
No. of cylinders	6	
Displacement	12.1 l	738 cu in
Bore	131 mm	5.16"
Stroke	150 mm	5.91"

Electrical System

High-capacity electrical system is well protected. Waterproof double lock harness plugs are used to secure corrosion-free connections. Main relays and solenoid valves are shielded to prevent damage.

Track Drive System

Each track is powered by an automatic shift two speed travel motor. Track brakes are multi-disc, spring applied and hydraulically released. Travel motors, brakes and planetary final drives are well protected within the track frame.

Travel speed 2.9/4.8 km/h **2.0/3.0 mph**

Undercarriage

Hydraulic variable gauge system allows the PL4608 to have a wide gauge for working stability, yet to be retracted to achieve reduced transport width. Removable track frame mounted counterweights provide added stability and lower machine center of gravity. These counterweights can be easily self-removed to reduce transport weight.

Hydraulic System

The hydraulic system is designed for high productivity, high lifting capabilities, high maneuvering precision and superb fuel economy.

Main Pump

Type: 2 x variable displacement axial piston
Maximum Flow: 2 x 345 l/min **2 x 91 gpm**

Pilot Pump

Type: Gear pump
Maximum Flow: 31 l/min **8.2 gpm**

Hydraulic Motors

Travel: Variable displacement axial piston motor with mechanical brake
Swing: Fixed displacement axial piston motor with mechanical brake

Cab

The new-design Volvo Care Cab with operator protective structure provides security along with more interior space, leg room and foot space. In work mode the cab is hydraulically elevated 760 mm (30") to provide a wide field of vision to the entire job site, winch, boom, and load block through maximum cab glass, transparent roof hatch and 2-piece sliding door window. This improves operator confidence, comfort, safety and effectiveness. Deluxe seat with adjustable height, tilt, recline, forward-back settings, retractable seat belt and selectable horizontal suspension cushions the operator from vibrations.

Boom

Asymmetric boom gives the operator clear view to load block at all heights and into the trench for safe, precise load placement. Long boom provides high hook height and reach allowing the machine to work further from the trench. The boom is mounted inside the track frames, close to the machine center, to increase lift capacity and stability.

Winch

Planetary, highline pull winch delivers smooth lifting performance and precise control. Winch hydraulic motor has multi-disc friction brake which is spring applied and hydraulic released.

Load Management System

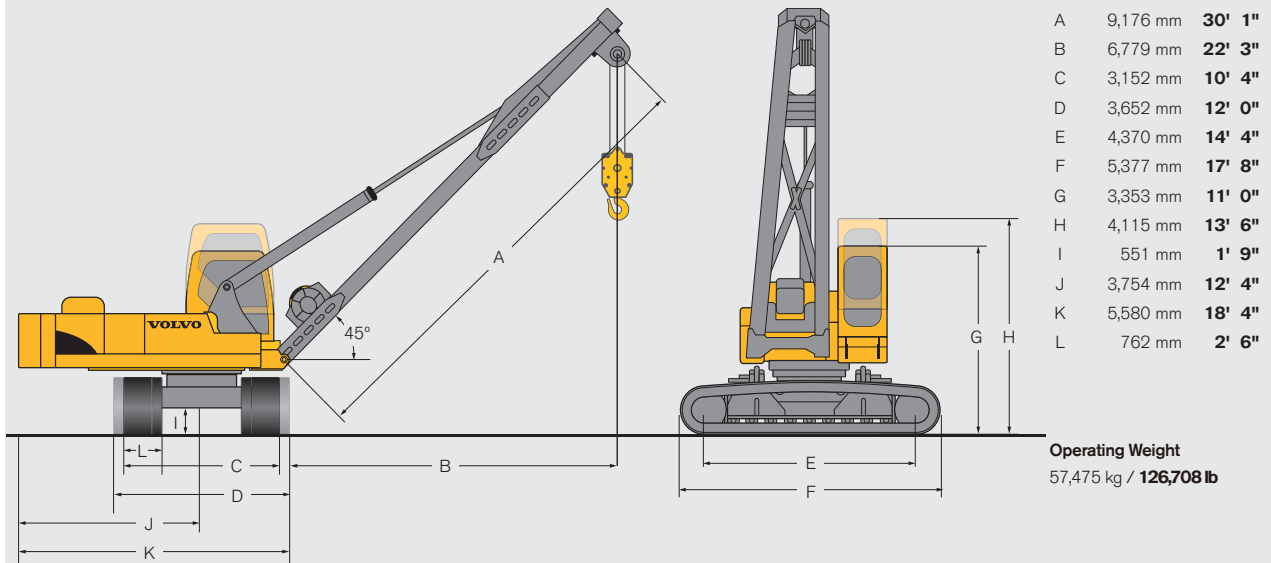
Operator confidence, effectiveness and safety are ensured with Volvo's Load Management System. Volvo Pipelayers utilize load, boom and cab mounted sensors that allow onboard computers to monitor boom angle and cab orientation and inclination. The computer uses this information to compute and display actual loads and rated working loads in real time through in-cab monitor and audible warning systems. This allows the operator to maintain full control of the machine from flat and level ground up to slopes of 30 degrees and throughout the 360 degree swing. The Load Management System utilizes boom-mounted load indicator lights for visual communication with ground staff and between adjacent machines during multiple lift operations.

Transportability

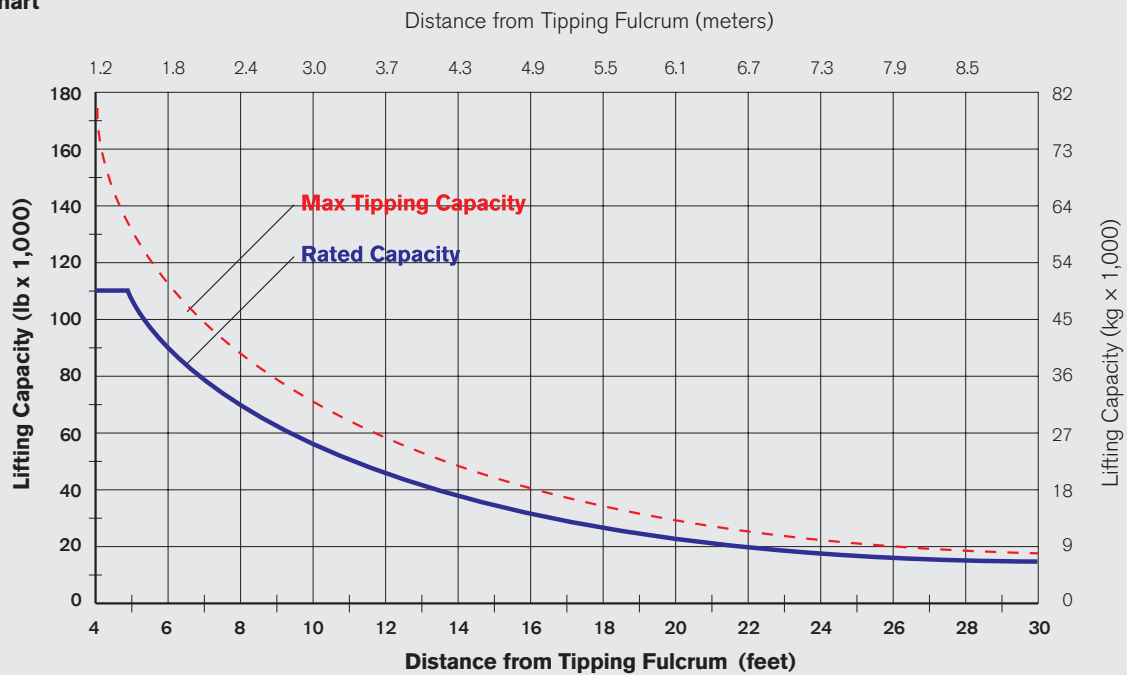
Hydraulically removable rear counterweight is standard, as are easily removable counterweights mounted to outside of each track frame. PL4608 can self-remove, self-load, and self-reassemble these counterweights to achieve effective transport weight. Coupled with hydraulically variable gauge and the hydraulically lowered cab, the PL4608 is the most easily transported machine in its class.

THE PL4608 IN DETAIL

Dimension



Load Chart



Footnotes

Max tipping capacity per ISO 8813, SAE J743, and ASME B30.14

Rated capacity per ISO 8813 and ASME B30.14

Lift capacity valid through 360 degree rotation

- Boom Length : 9.14 m **30 ft**

- Rear Counterweight Installed : 9,190kg **20,260 lb**

- Additional Counterweight Install on Track Frames: 3,040 kg **6,700 lb**

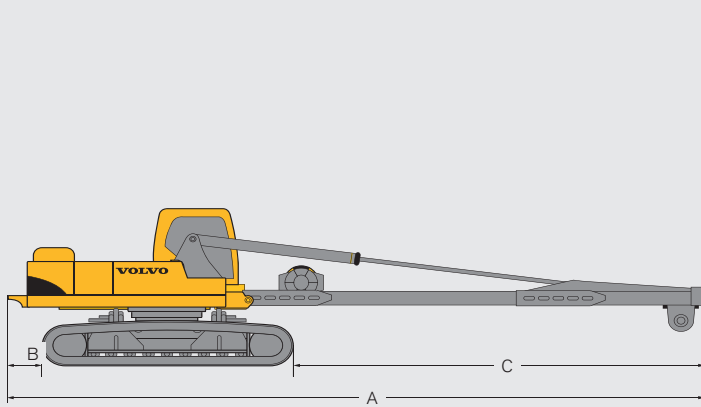
- Wire Rope : 22.2mm 7/8" with minimum breaking strength of 34,000 kg **75,000 lb**

- Reeving on Load Block : 6 Parts

- Hydraulic Boom Cylinder Configuration

SHIPPING WEIGHTS AND DIMENSIONS

BASE MACHINE

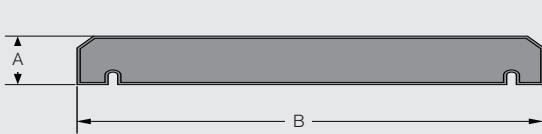


A	14,785 mm	48' 6"
B	710 mm	2' 4"
C	8,701 mm	28' 6"
D*	3,152 mm	10' 4"
E**	3,652 mm	12' 0"
F	3,353 mm	11' 0"
G	4,115 mm	13' 6"

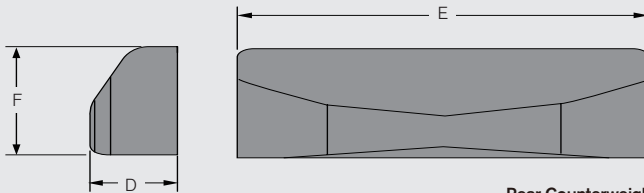
* Retracted, ** Extended

Weight 45,275 kg / 99,814 lb

COMPONENT MODULES



Track Frame Counterweight (quantity 2) : 1,505 kg / 3,320 lb each



Rear Counterweight : 9,190 kg / 20,260 lb

A	500 mm	1' 7"
B	3,395 mm	11' 2"
C	172 mm	7"
D	632 mm	2' 1"
E	2,990 mm	9' 9"
F	1,105 mm	3' 7"

Capacities and performance specifications affected by configuration. Use only the capacities, specifications and procedures for the specific unit by serial number when operating, servicing or transporting the equipment. Not all products are available in all markets. Under Volvo's policy of continuous machine upgrades and improvements, we reserve the right to change specifications and design without prior notice. The illustrations do not necessarily show the standard version of the machine. Patent and patent pending in USA and other countries.

VOLVO

Volvo Construction Equipment

Volvo Construction Equipment North America, Inc.
One Volvo Drive, Asheville, NC 28803-3447
www.volvoce.com

Ref. No. 22 A 100 4532
Printed in USA 2008.03-1,0
Volvo, Konz

U.S. English
EXC