

Volvo Construction Equipment
Building Tomorrow



EC250E, EC300E

Volvo Excavators 24.6-33.9t / 54,230-74,740 lb 213-241 hp



A passion for performance

At Volvo Construction Equipment, we're not just coming along for the ride. Developing products and services that raise productivity – we are confident we can lower costs and increase profits for customers around the globe. Part of the Volvo Group, we are passionate about innovative solutions to help you work smarter – not harder.

Helping you to do more

Doing more with less is a trademark of Volvo Construction Equipment. High productivity has long been married to low energy consumption, ease of use and durability. When it comes to lowering life-cycle costs, Volvo is in a class of its own.

Designed to fit your needs

There is a lot riding on creating solutions that are suited to the particular needs of different industry applications. Innovation often involves high technology – but it doesn't always have to. Some of our best ideas have been simple, based on a clear and deep understanding of our customers' working lives.



You learn a lot in 180 years

Over the years, Volvo has advanced solutions that have revolutionized the use of construction equipment. No other name speaks Safety louder than Volvo. Protecting operators, those around them and minimizing our environmental impact are traditional values that continue to shape our product design philosophy.

We're on your side

We back the Volvo brand with the best people. Volvo is truly a global enterprise, one that is on standby to support customers quickly and efficiently – wherever they are.

We have a passion for performance.

A strong, dedicated, capable dealer network

Our dealers are strategically located throughout North America to provide the equipment you need and the parts and service support you demand for a productive and profitable operation.

The strength of our dealer network is enhanced with extensive individualized product support training at our best-in-class Customer Center in Shippensburg and through hands-on training. Using a great Product Demonstration Center featuring a dedicated area for most common applications, visitors operate equipment from our entire product line under a variety of simulated working conditions. This facility is in year-round use by our dealers and customers.

Building the best starts right here.

The products designed and manufactured by Volvo Construction Equipment have their beginnings at the most advanced Research & Design centers in the industry. Volvo CE machines are designed in 11 R&D centers and produced in 15 manufacturing facilities across the world.

The major R&D center and manufacturing plant in the Americas is located in Shippensburg, Pennsylvania. This facility has been in operation for over 30 years and – with its recently added 200,000 sq. ft. expansion – now covers 570,000 sq. ft. on an 80 acre campus. Dedicated work teams and highly advanced technologies and techniques using the Volvo Production System ensure continuous quality improvements, labor savings and cost control to reach the high quality that our customers have come to expect from Volvo.





Volvo Trucks



Renault Trucks



Mack Trucks



UD Trucks



Volvo Buses



Volvo Construction Equipment



Volvo Penta



Volvo Financial Services

Doing more for you

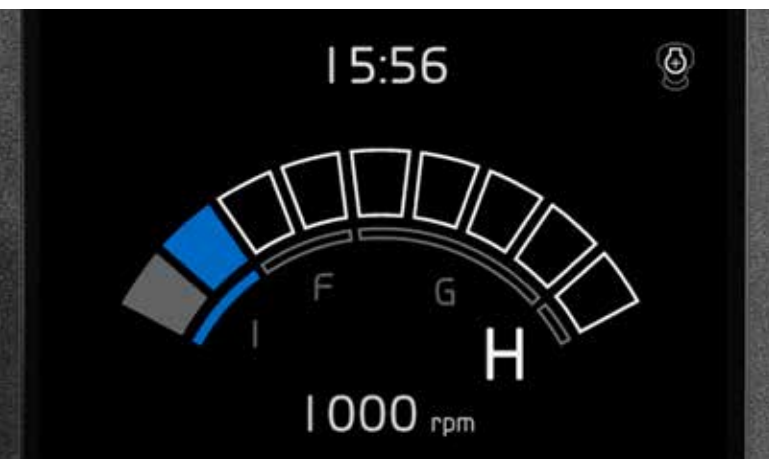
Volvo's EC250E/EC300E Tier 4 Final crawler excavators are powerful and efficient machines designed to reduce fuel consumption and increase your productivity. With advanced technology, the machines deliver a significant improvement in fuel efficiency, saving your business time and cost. Put your mind at ease with a Volvo excavator.

Automatic idling system

Engine speed is reduced to idle when the controls are inactive for a pre-set amount of time (between 3 and 20 seconds), which reduces fuel consumption and noise for nearby workers.

Work modes

Volvo's integrated work mode system now includes the G4 mode for optimum fuel efficiency and machine performance. You can choose the best work mode for the task at hand – select from I (Idle), F (Fine), G (General) and H (Heavy).



Eco-gauge

Eco-gauge is an added gauge bar that indicates momentary fuel consumption and can be reset through the display monitor. This will track fuel consumption under different applications.

Auto-engine shut down

E-Series excavators feature automatic engine shutdown for when the machine is not being used. When the machine is motionless for five minutes, the engine will automatically turn off and reduce your running costs.



ECO mode

Volvo's unique ECO mode optimizes the hydraulic system to reduce flow and pressure losses – resulting in improved fuel efficiency without any loss of performance in most operating conditions. ECO mode is automatically selected but can be switched off via the keypad.



Human Machine Interface (HMI)

All machine interfaces – including the joysticks, keypad and LCD monitor – are ergonomically positioned and designed for optimum control and efficiency. For operator convenience and ease of use, the number of switches has been significantly reduced.

Boost your productivity

It's a fact that operators work more efficiently when they're given the best tools for the job. That's why, on top of being a superior production machine, the EC250E/EC300E has an ergonomic design with ideally placed controls and switches. With built in comfort and optimized control, operators will work efficiently and productively all day long.

Keypad + hot key

The optimally positioned keypad allows the operator to easily navigate through the LCD monitor and activate machine functions in a safe and comfortable way. The functionality of the camera, air conditioning and lights can be customized via the hot key – enabling the operator to select and save desired configurations.

8 inch LCD

The new, eight-inch non-glare colour LCD monitor displays machine status and information for easy operation. Through the use of a new remote keypad, the display enables the operator to easily navigate through various menus.



Joystick + shortcut key

The windshield wipers, camera or audio mute function can be assigned to a shortcut switch located on the joystick. This allows the operator to easily control the selected function by simply pressing a switch.

Bluetooth®

Bluetooth and a hands-free function have been added that allows the operator to connect to wireless functions for easier connectivity and more convenience.

Non-stop productivity

Experienced and skilled Volvo engineers have developed and rigorously tested Tier 4 Final engine systems that deliver the ultimate combination of high productivity and low fuel consumption. Benefit from Volvo's signature high torque at low rpm and experience superior performance and reduced fuel consumption.

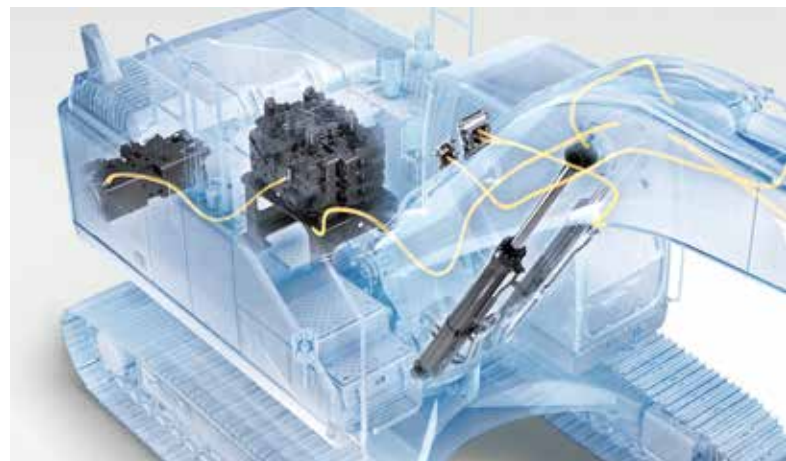
Attachment management system

The attachment management system – controlled through the monitor – stores the settings for up to 20 different hydraulic attachments for ease of operation. Depending on the options configured, the management system can store rated flow and relieve pressure.



Positive Control hydraulics + pump input torque

High pump flow combined with the electro-hydraulic control system creates a faster response and cycle time. In addition, the EC300E features increased pump input torque for a reduced cycle time.



V-ACT (engine and pumps are matched to optimise performance)

It's the combination of the durable D8 Volvo engine and intelligent hydraulic system that makes all the difference. Boosting power while reducing both fuel consumption and emissions results in quicker cycle times and greater productivity.

Boom float

With the boom float function the pump power for boom lowering can be saved or used for other functions, reducing your cycle time. Also, the grading operation can be made easier.

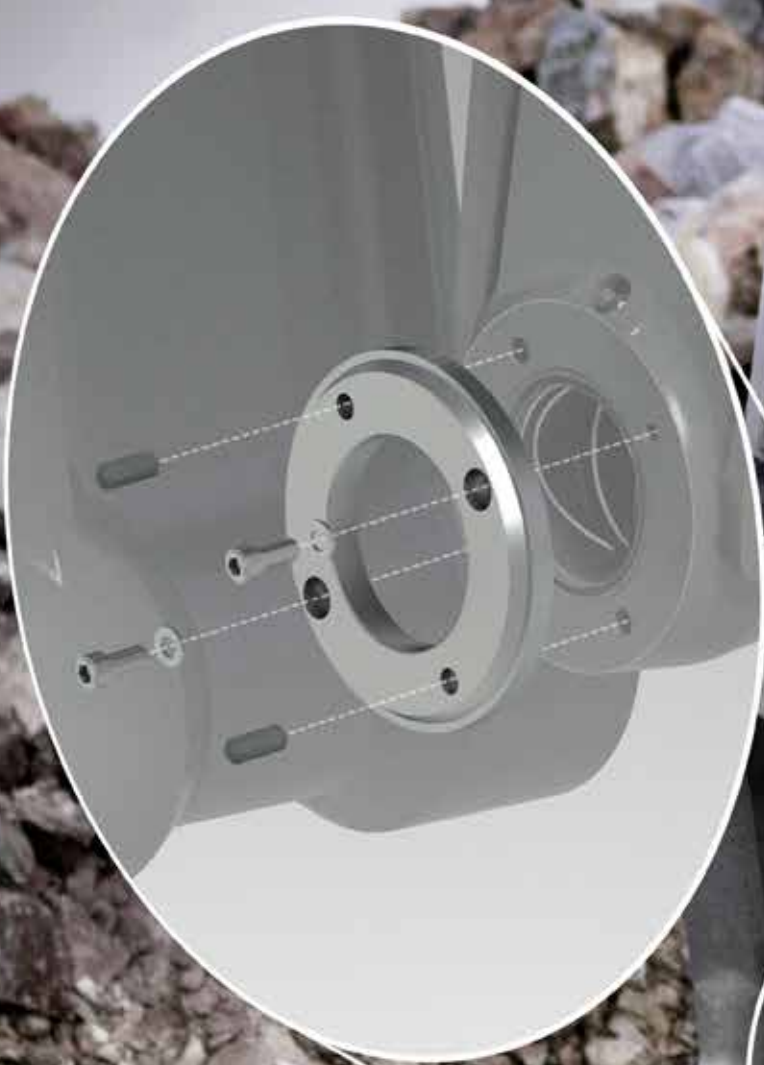
Engine after treatment system

The After Treatment Control Module (ACM) automatically controls, monitors and diagnoses the after treatment system to secure emission regulation compliance.



Proportional two-pump flow

The proportional two-pump flow makes it easier for the operator to improve the machine's controllability for a higher quality grading finish. The ease of operation helps to get a quality job done quicker.



Bolt-on wear plates

At the arm end where the most movement and wear occurs, Volvo provides wear plates which are easily replaced in a matter of hours in the field – a service that can't be matched by its competitors.

Built to last

From quarries to mass excavation, this heavy-duty production machine has been built to work on tough job sites. Featuring a robust, reinforced structure and high quality welding, the EC250E/EC300E boast superior strength and durability. Experience reliability you can count on with Volvo.

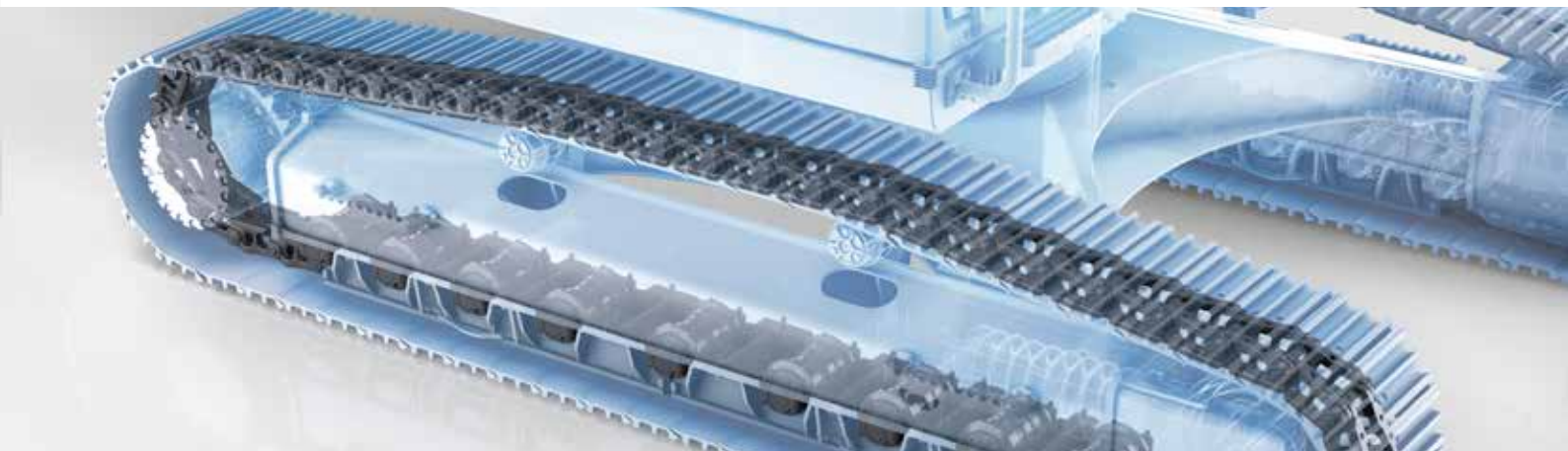
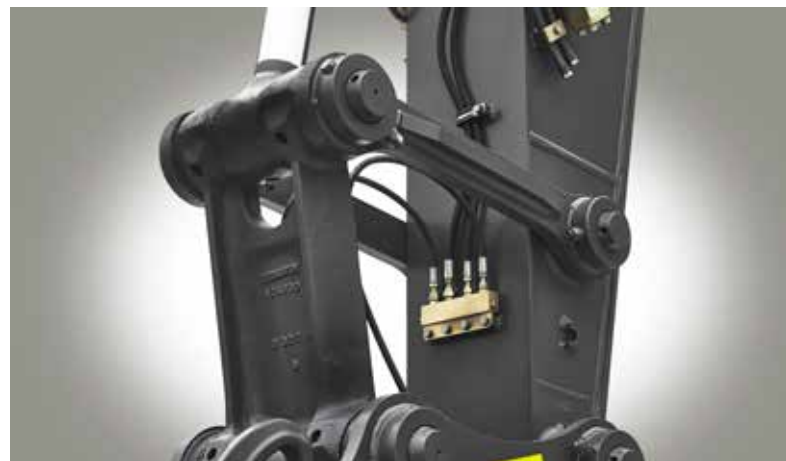
HD superstructure undercover plating

The optional heavy-duty superstructure undercover protects components within the superstructure. For increased durability, heavy-duty undercover plates provide additional protection to the underside of the machine in tough applications – preventing damage from rock and debris.



Re-enforced bucket linkage

A steel strip reinforces and supports the bucket linkage for added strength. It provides consistent long term durability even in the most severe applications.



Robust undercarriage

The reinforced idler frame, track links and bottom rollers are built to withstand tougher conditions for improved durability and reliability in demanding applications.

Robust track link

The machines feature reinforced track links for increased durability in tough applications.

Up your uptime

At Volvo we believe that maintaining your machine should be as quick and easy as possible. That's why our designers and engineers have developed innovative methods to make maintenance easy. With large, wide opening compartment doors and grouped service points, checks will be carried out faster and you'll get the most out of every operating shift.

Handrails & bolted on anti-slip plates

Multiple handrails and fold-able guardrails provide safe and easy access to the cab and superstructure. The bolted-on punched anti-slip plates provide superior grip and increased safety on board your machine. The fold-able guardrails is to minimize transportation height when it is folded.



Sturdy doors and hinges

Volvo's design features rigid side doors with robust handles, hinges and locks for superior durability.



Tool box

The large tool box storage fitted on the right side is very convenient for daily maintenance.



Air compressor

Volvo now offers an optional and unique air compressor system. The air compressor with air blower, fitted in the cab for easy access, is a powerful tool and can be used to clean the cab whenever necessary.

Mix and match for a superior fit

Maximize your productivity and profitability with Volvo's EC250E/EC300E crawler excavators and a range of durable attachments. Increase your versatility, access more applications and perform a variety of tasks – all while experiencing faster cycle times and excellent control.

Buckets – GP/HD/XD

Volvo's buckets are the perfect tool for digging and re-handling in all conditions from soft, medium and hard materials. Heavy-duty buckets are intended for productive digging in compact materials. All provide maximum productivity and long life and feature original Volvo wear components.

Breakers HB24, HB36

The HB-Series of hydraulic breakers are optimized to the specific weights of Volvo machines and tailored to Volvo quick couplers for swift, safe and simple attachment changes. They are available with a full assortment of tools.



Quick Coupler

Volvo offers a full range of quick couplers, including its dedicated S-type couplers, that eliminates a loss of break-out force and perfectly match Volvo's bucket range. The Volvo universal quick coupler picks up a variety of attachments from various manufacturers. All Volvo quick couplers meet the latest safety regulations.

Tilt Rotator*

Volvo's tilt rotator can be ordered factory installed with multifunctional joysticks and color display that's fully integrated into the machine's system. The new series of Volvo XD excavator buckets are perfectly matched to the factory installed tilt rotator. *EC250E only



Matched attachments

Volvo's durable attachments have been purpose-built to work in perfect harmony with Volvo machines, forming one solid, reliable unit. With functions and properties ideally matched, Volvo attachments are an integrated part of the excavator for which they're intended.

Optimize your options



Eco mode

Volvo's unique ECO mode improves fuel efficiency without any loss of performance.



Proportional two-pump flow

The proportional two-pump flow makes it easier for the operator to improve the machine's controllability for a higher quality grading finish. The ease of operation helps to get a quality job done quicker.

Booms and arms

To achieve the best performance, select the most suitable boom and arm configuration combination for your requirements.



Bolt-on wear plates

At the arm end where the most movement and wear occurs, Volvo provides wear plates which are easily replaced in a matter of hours in the field – a service that can't be matched by its competitors.



Matched attachments

Volvo's durable attachments have been purpose-built to work in perfect harmony with Volvo machines, forming one solid, reliable unit. With functions and properties ideally matched, Volvo attachments are an integrated part of the excavator for which they're intended.

Diesel Exhaust Fluid (DEF)

Volvo offers a total DEF solution that is quality assured, cost efficient and easily accessible. Contact your Volvo dealer for more information.

Demolition package

Volvo's factory fit demolition package offers ultimate protection for the machine.





HMI

All machine interfaces are ergonomically positioned and designed for optimum control and efficiency.

Bluetooth

Bluetooth multimedia and hands-free functions have been added, allowing the operator to connect to wireless functions for increased comfort and safety.



Air compressor

Volvo now offers an optional and unique air compressor system. The air compressor with air blower, fitted in the cab for easy access, is a powerful tool and can be used to clean the cab whenever necessary.

Automatic engine shutdown

E-Series excavators feature optional automatic engine shutdown for when the machine is idle for a pre-set period.

Handrails and anti-slip plates

Punched anti-slip plates, multiple handrails and fold-able guardrails provide safe and easy access to the machine.

After treatment system

The automatic regeneration process takes place without interrupting machine operation, performance or productivity.

Robust track links

The excavators feature reinforced track links for improved durability in tough applications.



Adding value to your business

Being a Volvo customer means having a complete set of services at your fingertips. Volvo can offer you a long-term partnership, protect your revenue and provide a full range of customer solutions using high quality parts, delivered by passionate people. Volvo is committed to the positive return of your investment.



Complete Solutions

Volvo has the right solution for you. So why not let us provide all your needs throughout the whole life

cycle of your machine? By listening to your requirements, we can reduce your total cost of ownership and increase your revenue.



Genuine Volvo Parts

Our attention to detail is what makes us stand out. This proven concept acts as a solid investment in your machine's future. Parts are extensively tested and approved because every part is vital for uptime and performance. Only by using Genuine Volvo Parts, can you be sure that your machine retains the renowned Volvo quality.



Service Network

In order to respond to your needs faster, a Volvo expert is on their way to your job site from one of our Volvo facilities. With our extensive infrastructure of technicians, workshops and dealers, Volvo has a comprehensive network to fully support you using local knowledge and global experience.



SERVICE PLAN

DAY01	DAY02	DAY03	DAY04	DAY05	DAY06	DAY07
						✓
			✓	✓		
	✓				✓	✓
		✓				
✓				✓		
		✓				



Customer Support Agreements

The range of Customer Support Agreements offer preventive maintenance, total repairs and a number of uptime services. Volvo uses the latest technology to monitor machine operation and status, giving you advice to increase your profitability. By having a Customer Support Agreement you are in control of your service costs.

Volvo EC250E, EC300E in detail

Engine

The latest generation, Volvo engine Tier 4f emissions compliant diesel engine fully meets the demands of the latest, emissions regulations. Featuring Volvo Advanced Combustion Technology (V-ACT), it is designed to deliver superior performance and fuel efficiency. The engine uses precise, highpressure fuel injectors, turbo charger and air-to-air intercooler, and electronic engine controls to optimize machine performance.

Air Filter: 3-stage with precleaner.

Automatic Idling System: Reduces engine speed to idle when the levers and pedals are not activated resulting in less fuel consumption and low cab noise levels.

EC250E

Engine Tier 4f	Volvo			D8J
Max power at	r/s / r/min	30 / 1 800		
Net, ISO 9249/SAE J1349	kW/hp	159 / 213		
Gross, ISO 14396/SAE J1995	kW/hp	160 / 214		
Max torque at	Nm / r/min	lb.ft	1 110 / 1 350	819
No. of cylinders	6			
Displacement	l cu.in	7.8	473	
Bore	mm in	110	4.33	
Stroke	mm in	136	5.35	

EC300E

Engine Tier 4f	Volvo			D8J
Max power at	r/s / r/min	30 / 1 800		
Net, ISO 9249/SAE J1349	kW / hp	179 / 240		
Gross, ISO 14396/SAE J1995	kW / hp	180 / 241		
Max torque at	Nm / r/min	lb.ft	1 238 / 1 350	913
No. of cylinders	6			
Displacement	l cu.in	7.8	473	
Bore	mm in	110	4.33	
Stroke	mm in	136	5.35	

Electrical system

High-capacity electrical system that is well protected. Waterproof double-lock harness plugs are used to secure corrosion-free connections. The main relays and solenoid valves are shielded to prevent damage. The master switch is standard.

Contronics provides advanced monitoring of machine functions and important diagnostic information.

		EC250E	EC300E
Voltage	V	24	24
Batteries	V	2 x 12	2 x 12
Battery capacity	Ah	200	200
Alternator	V / Ah	28 / 80	28 / 110

Service refill capacities

		EC250E		EC300E	
Fuel tank	l gal	470	124	470	124
DEF tank	l gal	53	14	53	14
Hydraulic system, total	l gal	320	85	400	106
Hydraulic tank	l gal	207	55	207	55
Engine oil	l gal	32	8.5	32	8.5
Engine coolant	l gal	41	10.8	41	10.8
Swing reduction unit	l gal	5.9	1.6	6.1	1.6
Travel reduction unit	l gal	2 x 5.0	2 x 1.3	2 x 6	2 x 1.6

Swing system

The swing system uses an axial piston motors, driving a planetary gearbox for maximum torque. An automatic holding brake and anti-rebound valve are standard.

		EC250E	EC300E
Max. slew speed	r/min	11.9	10.7
Max. slew torque	kNm lb.ft	91.7 67,630	110.9 81,790

Drive

Each track is powered by an automatic two-speed shift travel motor. The track brakes are multi-disc, spring-applied and hydraulic released. The travel motor, brake and planetary gears are well protected within the track frame.

		EC250E	EC300E
Max. drawbar pull	kN lb	217 48,790	248 55,760
Max. travel speed	km/h mph	35/55 22/34	34/54 21/34
Gradeability	°	35	35

Undercarriage

The undercarriage has a robust X-shaped frame. Greased and sealed track chains are standard.

		EC250E	EC300E
Track pads		2 x 51	2 x 50
Link pitch	mm	190	7.5 203 8.0
Shoe width, triple grouser	mm	600 / 700 / 800 / 900	24 / 28 / 32 / 36 600 / 28 / 800 / 36
Shoe width, triple grouser (HD)	mm	600	24 600 24
Shoe width, double grouser	mm	600 / 700	24 / 28 700 28
Bottom rollers		2 x 9	2 x 9
Top rollers		2 x 2	2 x 2

Hydraulic system

The new electro-hydraulic system and new MCV (main control valve) use intelligent technology to control on-demand flow for high-productivity, high-digging capacity and excellent fuel consumption.

The following important functions are included in the system for optimum performance:

Summation system: Combines the flow of both hydraulic pumps to ensure quick cycle times and high productivity.

Boom priority: Gives priority to the boom operation for faster raising when loading or performing deep excavations.

Arm priority: Gives priority to the arm operation for faster cycle times in leveling and for increased bucket filling when digging.

Swing priority: Gives priority to swing functions for faster simultaneous operations.

Regeneration system: Prevents cavitation and provides flow to other movements during simultaneous operations for maximum productivity.

Power boost: All digging and lifting forces are increased.

Holding valves: Boom and arm holding valves prevent the digging equipment from creeping.

		EC250E	EC300E		
Main pump, Type 2 x variable displacement axial piston pumps					
Maximum flow	l/min	gal/min	2x240	2x63	2x263 2x69
Pilot pump, Type Gear pump					
Maximum flow	l/min	gal/min	18	4.8	18 4.8

Hydraulic motors

			EC250E	EC300E		
Travel: Variable displacement axial piston motor with mechanical brake						
Slew: Fixed displacement axial piston motor with mechanical brake						
Relief valve setting						
Implement	MPa	psi	33.3/36.3	4,840/5,260	33.3/36.3	4,840/5,260
Travel circuit	MPa	psi	36.3	5,260	36.3	5,260
Slew circuit	MPa	psi	27.9	4,050	27.9	4,050
Pilot circuit	MPa	psi	3.9	570	3.9	570

Hydraulic cylinders

			EC250E	EC300E		
Mono boom						
			2		2	
Bore x Stroke	ø x mm	ø x in	135 x 1 345	5.3 x 53	140 x 1 480	5.5 x 58.3
2 piece boom						
			1		1	
Bore x Stroke	ø x mm	ø x in	160 x 1 230	6.3 x 48	170 x 1 300	6.7 x 51
Arm						
			1		1	
Bore x Stroke	ø x mm	ø x in	140 x 1 665	5.5 x 65.6	150 x 1 745	5.9 x 68.7
Bucket						
			1		1	
Bore x Stroke	ø x mm	ø x in	130 x 1 150	5.1 x 45.3	140 x 1 140	5.5 x 44.9
Bucket for LR						
			1		1	
Bore x Stroke	ø x mm	ø x in	100 x 865	3.9 x 34.1	100 x 865	3.9 x 34.1

Cab

The operator's cab has easy access via a wide door opening. The cab is supported on hydraulic dampening mounts to reduce shock and vibration levels. These along with sound absorbing lining provide low noise levels. The cab has excellent all-round visibility. The front windshield can easily slide up into the ceiling, and the lower front glass can be removed and stored in the side door. Integrated air-conditioning and heating system: The pressurized and filtered cab air is supplied by an automatically-controlled fan. The air is distributed throughout the cab from 14 vents.

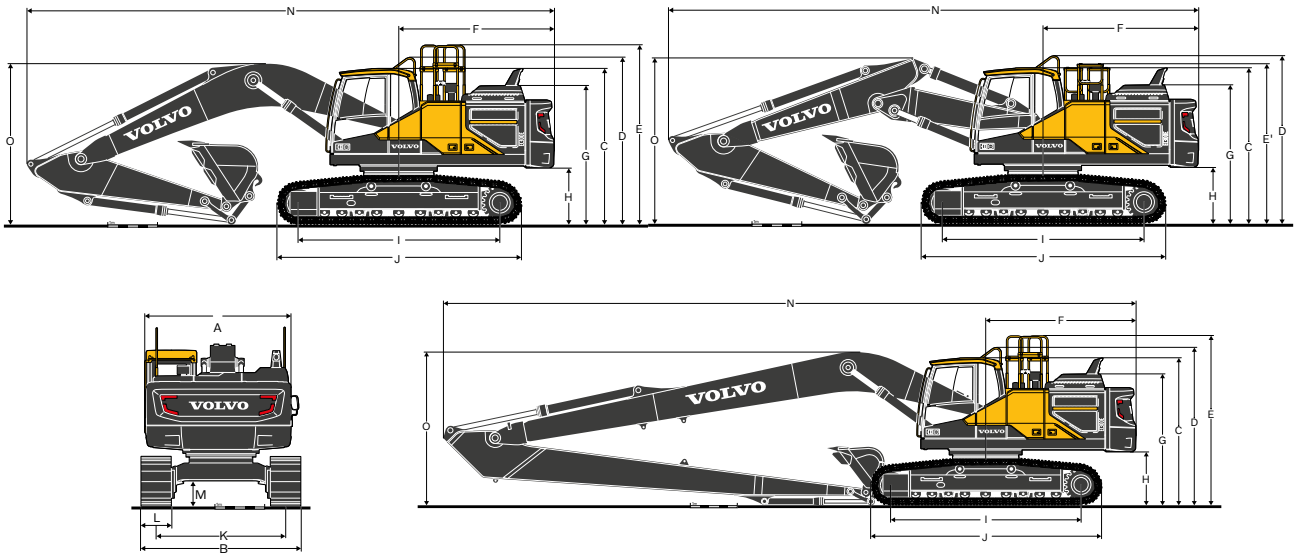
Ergonomic operator's seat: The adjustable seat and joystick console move independently to accommodate the operator. The seat has nine different adjustments plus a seat belt for the operator's comfort and safety.

Sound Level

		EC250E	EC300E
Sound pressure level in cab according to ISO 6396			
L _{PA} (standard)	dB	70	70
L _{PA} (tropical)	dB	71	71
External sound level according to ISO 6395 and EU Noise Directive 2000/14/EC			
L _{WA} (standard)	dB	103	104
L _{WA} (tropical)	dB	104	105

Specifications

DIMENSIONS



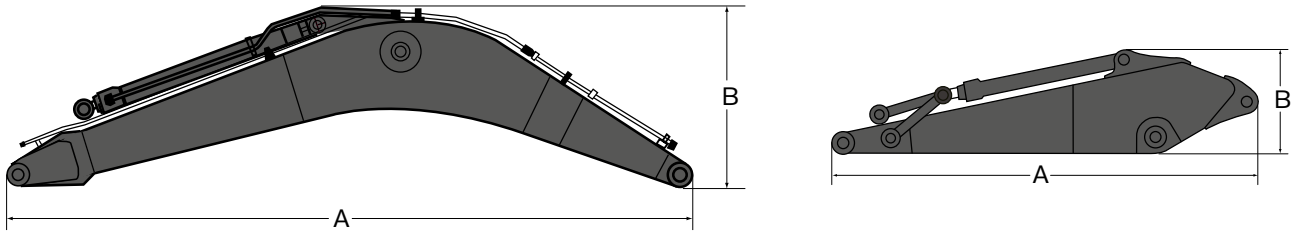
Description	Unit	EC250EL						EC250ELR	
		6, 19'8" mono or 5.95, 19'6" 2-piece						10.2, 33'6"	
Boom	m, ft in								
Arm	m ft in	2.5	8'2"	2.97	9'9"	3.6	11'10"	7.85	25'9"
A. Overall width of upper structure	mm ft in	2 890	9'6"	2 890	9'6"	2 890	9'6"	2 890	9'6"
B. Overall width	mm ft in	3 190	10'6"	3 190	10'6"	3 190	10'6"	3 190	10'6"
C. Overall height of cab	mm ft in	3 050	10'1"	3 050	10'1"	3 050	10'1"	3 050	10'1"
D. Overall height of handrail	mm ft in	3 265	10'9"	3 265	10'9"	3 265	10'9"	3 265	10'9"
E. Overall height of guardrail (Unfolded)	mm ft in	3 510	11'7"	3 510	11'7"	3 510	11'7"	3 510	11'7"
E'. Overall height of guardrail (Folded)	mm ft in	3 115	10'3"	3 115	10'3"	3 115	10'3"	3 115	10'3"
F. Tail swing radius	mm ft in	3 070	10'1"	3 070	10'1"	3 070	10'1"	3 150	10'5"
G. Overall height of engine hood	mm ft in	2 710	8'11"	2 710	8'11"	2 710	8'11"	2 710	8'11"
H. Counterweight clearance *	mm ft in	1 040	3'5"	1 040	3'5"	1 040	3'5"	1 040	3'5"
I. Tumbler length	mm ft in	3 850	12'8"	3 850	12'8"	3 850	12'8"	3 850	12'8"
J. Track length	mm ft in	4 650	15'4"	4 650	15'4"	4 650	15'4"	4 650	15'4"
K. Track gauge	mm ft in	2 590	8'6"	2 590	8'6"	2 590	8'6"	2 590	8'6"
L. Shoe width	mm ft in	600	24"	600	24"	600	24"	600	24"
M. Min. ground clearance *	mm ft in	470	1'7"	470	1'7"	470	1'7"	470	1'7"
N. Overall length	mm ft in	10 310	33'10"	10 230	33'7"	10 300	33'10"	14 520	47'8"
N ¹ . Overall length	mm ft in	10 260	33'8"	10 230	33'7"	10 230	33'7"	-	-
O. Overall height of boom	mm ft in	3 330	11'	3 110	10'3"	3 330	11'	3 080	10'2"
O ¹ . Overall height of boom	mm ft in	3 260	10'9"	3 180	10'6"	3 410	11'3"	-	-
Description	Unit	EC300EL						EC300ELR	
Boom	m, ft in	6.2, 20'4" mono or 6.2, 20'4" 2-piece						10.2, 33'6"	
Arm	m in	2.55	8'4"	3.05	10'0"	3.7	12'2"	7.9	25'11"
A. Overall width of upper structure	mm ft in	2 890	9'6"	2 890	9'6"	2 890	9'6"	2 890	9'6"
B. Overall width	mm ft in	3 190	10'6"	3 190	10'6"	3 190	10'6"	3 190	10'6"
C. Overall height of cab	mm ft in	3 110	10'3"	3 110	10'3"	3 110	10'3"	3 110	10'3"
D. Overall height of handrail	mm ft in	3 325	10'11"	3 325	10'11"	3 325	10'11"	3 325	10'11"
E. Overall height of guardrail (Unfolded)	mm ft in	3 570	11'9"	3 570	11'9"	3 570	11'9"	3 570	11'9"
E'. Overall height of guardrail (Folded)	mm ft in	3 175	10'5"	3 175	10'5"	3 175	10'5"	3 175	10'5"
F. Tail swing radius	mm ft in	3 120	10'3"	3 120	10'3"	3 120	10'3"	3 200	10'6"
G. Overall height of engine hood	mm ft in	2 770	9'2"	2 770	9'2"	2 770	9'2"	2 770	9'2"
H. Counterweight clearance *	mm ft in	1 100	3'8"	1 100	3'8"	1 100	3'8"	1 100	3'8"
I. Tumbler length	mm ft in	4 015	13'3"	4 015	13'3"	4 015	13'3"	4 015	13'3"
J. Track length	mm ft in	4 870	16'	4 870	16'	4 870	16'	4 870	16'
K. Track gauge	mm ft in	2 590	8'6"	2 590	8'6"	2 590	8'6"	2 590	8'6"
L. Shoe width	mm ft in	600	24"	600	24"	600	24"	600	24"
M. Min. ground clearance *	mm ft in	480	1'7"	480	1'7"	480	1'7"	480	1'7"
N. Overall length	mm ft in	10 610	34'10"	10 510	34'6"	10 550	34'8"	14 610	48'
N ¹ . Overall length	mm ft in	10 600	34'10"	10 540	34'7"	10 540	34'7"	-	-
O. Overall height of boom	mm ft in	3 480	11'6"	3 350	11'	3 580	11'9"	3 230	10'8"
O ¹ . Overall height of boom	mm ft in	3 360	11'1"	3 300	10'10"	3 530	11'7"	-	-

* Without shoe grouser 1 2-piece boom

DIMENSIONS

Boom

Arm



EC250E

Description	Unit		mono		mono		2-piece		Long-Reach		mono	
	m	in	6.0 GP	19'8"	6.0 HD	19'8"	5.95	19'6"	10.2	33'6"	6.2 GP	20'4"
Length	mm	in	6 210	20'4"	6 210	20'4"	6 160	20'3"	10 410	34'2"	6 430	21'1"
Height	mm	in	1 630	5'4"	1 630	5'4"	1 100	3'7"	1 525	5'0"	1 680	5'6"
Width	mm	in	740	2'5"	740	2'5"	740	2'5"	740	2'5"	770	2'6"
Weight	kg	lb	2 180	4,810	2 360	5,200	2 840	6,260	3 010	6,640	2 610	5,760

EC300E

Description	Unit		mono		2-piece		Long-Reach	
	m	in	6.2 HD	20'4"	6.2	20'4"	10.2	33'6"
Length	mm	in	6 430	21'1"	6 430	21'1"	10 430	34'3"
Height	mm	in	1 680	5'6"	1 590	5'3"	1 620	5'4"
Width	mm	in	770	2'6"	770	2'6"	770	2'6"
Weight	kg	lb	2 810	6,200	3 450	7,610	3 410	7,520

* Includes cylinder, piping and pin, excludes boom cylinder pin

Description	Unit		EC250E									
	m	in	2.5 HD	8'2"	2.97 GP	9'9"	2.97 HD	9'9"	3.6 GP	11'10"	7.85 LR	25'9"
Length	mm	in	3 590	11'9"	4 060	13'4"	4 060	13'4"	4 730	15'6"	9 000	29'6"
Height	mm	in	1 000	3'3"	1 000	3'3"	1 000	3'3"	1 000	3'3"	900	2'11"
Width	mm	in	500	1'8"	500	1'8"	500	1'8"	500	1'8"	480	1'7"
Weight	kg	lb	1 360	3000	1 340	2950	1 430	3150	1 470	3240	1 720	3,790

Description	Unit		EC300E									
	m	in	2.55 HD	8'4"	3.05 GP	10'0"	3.05 HD	10'0"	3.7 GP	12'2"	7.9 LR	25'11"
Length	mm	in	3 710	12'2"	4 150	13'7"	4 150	13'7"	4 800	15'9"	9 050	29'8"
Height	mm	in	1 010	3'4"	1 010	3'4"	1 010	3'4"	1 050	3'5"	1 050	3'5"
Width	mm	in	545	1'9"	545	1'9"	545	1'9"	545	1'9"	450	1'6"
Weight	kg	lb	1 530	3370	1 530	3370	1 590	3510	1 660	3660	1 730	3810

* Includes cylinder, linkage and pin

Specifications

WORKING RANGES

Description	Unit	EC250EL						EC250ELR	
		m, ft in							
Boom									
Arm	m ft in	2.5	8'2"	2.97	9'9"	3.6	11'10"	7.85	25'9"
A. Max. digging reach	mm ft in	9 960	32'9"	10 340	34'	10 810	35'6"	18 300	60'1"
B. Max. digging reach on ground	mm ft in	9 770	32'1"	10 160	33'4"	10 640	34'11"	18 200	59'9"
C. Max. digging depth	mm ft in	6 590	21'8"	7 060	23'2"	7 690	25'3"	14 350	47'1"
D. Max. digging depth (2.44 m level)	mm ft in	6 370	20'11"	6 850	22'6"	7 470	24'7"	14 230	46'9"
E. Max. vertical wall digging depth	mm ft in	5 800	19'1"	6 070	19'11"	6 390	21'	12 930	42'6"
F. Max. cutting height	mm ft in	9 620	31'7"	9 690	31'10"	9 650	31'8"	14 890	48'11"
G. Max. dumping height	mm ft in	6 610	21'9"	6 710	22'1"	6 730	22'1"	12 580	41'4"
H. Min. front swing radius	mm ft in	3 910	12'10"	3 890	12'10"	3 890	12'10"	5 720	18'10"

DIGGING FORCES WITH DIRECT FIT BUCKET

Bucket radius		mm ft in	1 537	5'1"	1 537	5'1"	1 537	5'1"	1 537	5'1"	
Breakout force - bucket	Normal	SAE J1179	kN lb	152	34,270	152	34,270	152	34,270	68.6	15,440
	Power boost	SAE J1179	kN lb	166	37,290	166	37,290	166	37,290	-	-
	Normal	ISO 6015	kN lb	171	38,430	171	38,430	171	38,430	77.8	17,490
	Power boost	ISO 6015	kN lb	186	41,810	186	41,810	186	41,810	-	-
Tearout force - dipper arm	Normal	SAE J1179	kN lb	133	29,940	115	25,890	103	23,130	44.1	9,920
	Power boost	SAE J1179	kN lb	145	32,590	125	28,180	112	25,170	-	-
	Normal	ISO 6015	kN lb	137	30,850	118	26,550	105	23,640	44.7	10,050
	Power boost	ISO 6015	kN lb	149	33,560	129	28,890	114	25,720	-	-
Rotation angle, bucket		°	178		178		178		178		

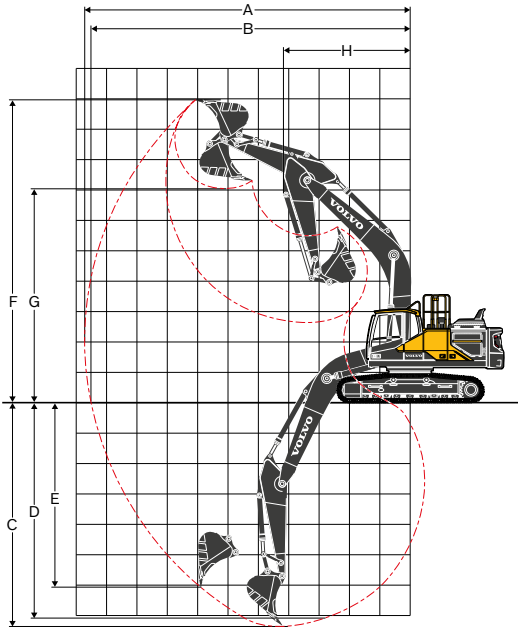
WORKING RANGES

Description	Unit	EC300EL						EC300ELR	
		m, ft in							
Boom									
Arm	m ft in	2.55	8'4"	3.05	10'0"	3.7	12'2"	7.9	25'11"
A. Max. digging reach	mm ft in	10 180	33'5"	10 710	35'2"	11 310	37'2"	18 590	61'
B. Max. digging reach on ground	mm ft in	9 970	32'9"	10 520	34'7"	11 130	36'7"	18 480	60'8"
C. Max. digging depth	mm ft in	6 840	22'6"	7 340	24'1"	7 990	26'3"	14 750	48'5"
D. Max. digging depth (2.44 m level)	mm ft in	6 600	21'8"	7 150	23'6"	7 830	25'9"	14 650	48'1"
E. Max. vertical wall digging depth	mm ft in	5 320	17'6"	6 080	20'	6 680	21'11"	13 630	44'9"
F. Max. cutting height	mm ft in	9 560	31'5"	9 980	32'9"	10 260	33'8"	14 940	49'1"
G. Max. dumping height	mm ft in	6 680	21'11"	7 040	23'2"	7 330	24'1"	12 600	41'5"
H. Min. front swing radius	mm ft in	4 220	13'11"	4 180	13'9"	4 240	13'11"	6 190	20'4"

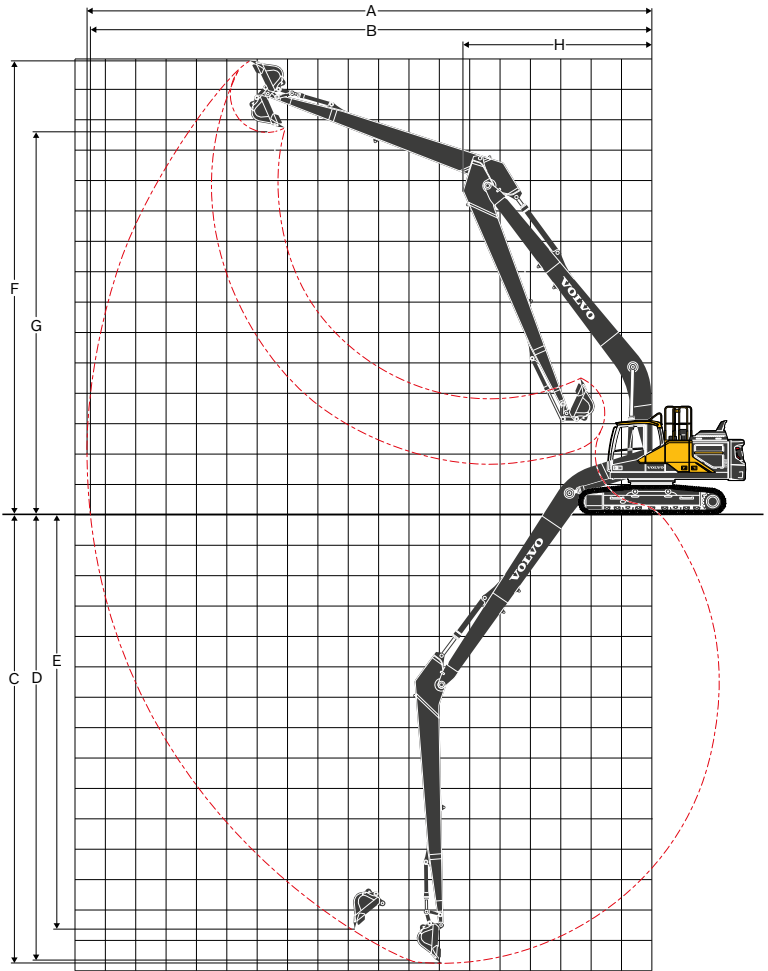
DIGGING FORCES WITH DIRECT FIT BUCKET

Bucket radius		mm ft in	1 600	5'3"	1 600	5'3"	1 600	5'3"	1 600	5'3"	
Breakout force - bucket	Normal	SAE J1179	kN lb	168	37,660	168	37,660	168	37,660	69.1	15,520
	Power boost	SAE J1179	kN lb	182	40,970	182	40,970	182	40,970	-	-
	Normal	ISO 6015	kN lb	188	42,250	188	42,250	188	42,250	80.3	18,060
	Power boost	ISO 6015	kN lb	205	45,970	205	45,970	205	45,970	-	-
Tearout force - dipper arm	Normal	SAE J1179	kN lb	157	35,210	132	29,570	115	25,890	51.3	11,530
	Power boost	SAE J1179	kN lb	170	38,320	143	32,170	125	28,180	-	-
	Normal	ISO 6015	kN lb	161	36,250	135	30,300	118	26,420	51.8	11,640
	Power boost	ISO 6015	kN lb	176	39,450	147	32,960	128	28,750	-	-
Rotation angle, bucket		°	179		179		179		179		

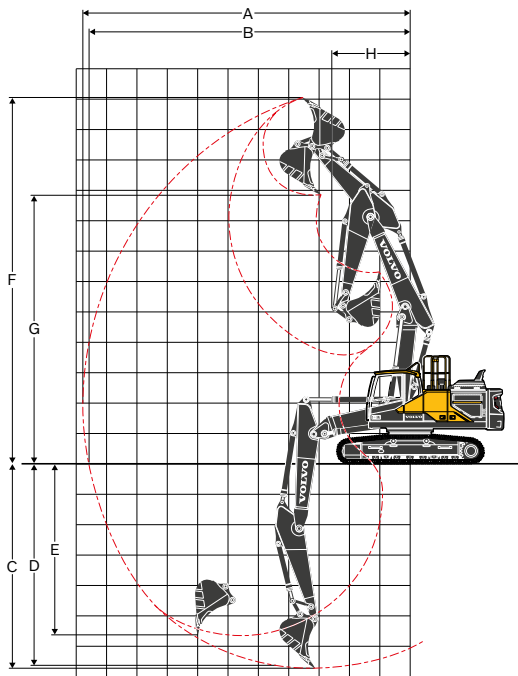
Machine with mono boom



Machine Long-Reach boom



Machine with 2-piece boom



Specifications

GROUND PRESSURE

EC250E

Description	Shoe width		Operating weight		Ground pressure		Overall width		Operating weight		Ground pressure		Overall width			
	mm	in	kg	lb	kPa	psi	mm	in	kg	lb	kPa	psi	mm	in		
Triple grouser	600	24	25 590	56,430	50.6	7.3	3 190	10'6"	25 760	56,800	50.9	7.4	3 190	10'6"		
	700	28	25 890	57,090	43.8	6.4	3 290	10'10"	26 070	57,480	44.1	6.4	3 290	10'10"		
	800	32	26 190	57,750	38.8	5.6	3 390	11'1"	26 360	58,120	39.1	5.7	3 390	11'1"		
	900	36	26 490	58,410	34.9	5.1	3 490	11'5"	26 670	58,810	35.1	5.1	3 490	11'5"		
Triple grouser(HD)	600	24	25 820	56,930	51.0	7.4	3 190	10'6"	26 000	57,330	51.4	7.4	3 190	10'6"		
Double grouser	600	24	25 820	56,930	51.0	7.4	3 290	10'10"	25 990	57,310	51.3	7.4	3 290	10'10"		
	700	28	26 160	57,680	44.3	6.4	3 290	10'10"	26 340	58,080	44.6	6.5	3 290	10'10"		
EC250E with L undercarriage, 6.0m (19'8") boom, 2.97m (9'9") arm, 1 197kg (2,640lb) bucket, 4 250kg (9,370lb) counterweight													EC250E with L undercarriage, 6.0m (19'8") HD boom, 2.97m (9'9") HD arm, 1 197kg (2,640lb) bucket, 4 250kg (9,370lb) counterweight			
Triple grouser	600	24	26 180	57,730	51.7	7.5	3 190	10'6"	26 290	57,970	51.9	7.5	3 190	10'6"		
	700	28	26 480	58,390	44.8	6.5	3 290	10'10"	26 590	58,630	45.0	6.5	3 290	10'10"		
	800	32	26 780	59,050	39.7	5.8	3 390	11'1"	26 890	59,290	39.8	5.8	3 390	11'1"		
	900	36	27 090	59,730	35.7	5.2	3 490	11'5"	27 190	59,950	35.8	5.2	3 490	11'5"		
Triple grouser(HD)	600	24	26 420	58,260	52.2	7.6	3 190	10'6"	26 520	58,480	52.4	7.6	3 190	10'6"		
Double grouser	600	24	26 410	58,230	52.2	7.6	3 290	10'10"	26 520	58,480	52.4	7.6	3 290	10'10"		
	700	28	26 750	58,980	45.3	6.6	3 290	10'10"	26 860	59,230	45.5	6.6	3 290	10'10"		
EC250E with L undercarriage, 5.95m (19'6") 2-piece boom, 2.97m (9'9") arm, 1 197kg (2,640lb) bucket, 4 250kg (9,370lb) counterweight													EC250E with L undercarriage, 6.0m (19'8") boom, 2.97m (9'9") arm, 1 197kg (2,640lb) bucket, 4 950kg (10,910lb) counterweight			
Triple grouser	600	24	26 460	58,340	52.3	7.6	3 190	10'6"	26 880	59,270	53.1	7.7	3 190	10'6"		
	700	28	26 770	59,030	45.3	6.6	3 290	10'10"	27 180	59,930	46.0	6.7	3 290	10'10"		
	800	32	27 060	59,670	40.1	5.8	3 390	11'1"	27 480	60,590	40.7	5.9	3 390	11'1"		
	900	36	27 370	60,350	36.0	5.2	3 490	11'5"	27 790	61,280	36.6	5.3	3 490	11'5"		
Triple grouser(HD)	600	24	26 700	58,870	52.7	7.6	3 190	10'6"	27 120	59,800	53.6	7.8	3 190	10'6"		
Double grouser	600	24	26 690	58,850	52.7	7.6	3 290	10'10"	27 110	59,780	53.6	7.8	3 290	10'10"		
	700	28	27 040	59,620	45.8	6.6	3 290	10'10"	27 450	60,530	46.5	6.7	3 290	10'10"		
EC250E with L undercarriage, 6.0m (19'8") HD boom, 2.397m (9'9") HD arm, 1 197kg (2,640lb) bucket, 4 950kg (10,910lb) counterweight													EC250E with L undercarriage, 5.95m (19'6") 2-piece boom, 2.97m (9'9") arm, 1 197kg (2,640lb) bucket, 4 950kg (10,910lb) counterweight			
Triple grouser	600	24	28 030	61,810	56.5	8.0	3 190	10'6"								
	800	32	28 630	63,130	43.3	6.2	3 390	11'1"								
	900	36	28 930	63,790	38.9	5.5	3 490	11'5"								
	Triple grouser(HD)	600	24	28 270	62,340	55.8	8.1	3 190	10'6"							
EC250E with LR undercarriage, 10.2m (33'6") LR boom, 7.85m (25'9") LR arm, 454kg (1,000lb) bucket, 6 200kg (13,670lb) counterweight																

EC300E

Description	Shoe width		Operating weight		Ground pressure		Overall width		Operating weight		Ground pressure		Overall width			
	mm	in	kg	lb	kPa	psi	mm	in	kg	lb	kPa	psi	mm	in		
Triple grouser	600	24	29 350	64,720	56.6	8.2	3 190	10'6"	29 650	65,380	57.2	8.3	3 190	10'6"		
	700	28	29 910	65,950	49.5	7.2	3 290	10'10"	30 210	66,610	50.0	7.2	3 290	10'10"		
	800	32	30 290	66,790	43.8	6.4	3 390	11'1"	30 590	67,450	44.3	6.4	3 390	11'1"		
	900	36	30 660	67,610	39.4	5.7	3 490	11'5"	30 960	68,270	39.8	5.8	3 490	11'5"		
Triple grouser(HD)	600	24	29 550	65,160	57.0	8.3	3 190	10'6"	29 850	65,820	57.6	8.3	3 190	10'6"		
Double grouser	700	28	30 060	66,280	49.7	7.2	3 290	10'10"	30 360	66,940	50.2	7.3	3 290	10'10"		
	EC300E with L undercarriage, 6.2m (20'4") boom, 3.05m (10') arm, 1 209kg (2,670lb) bucket, 5 100kg (11,250lb) counterweight													EC300E with L undercarriage, 6.2m (20'4") HD boom, 3.05m (10') HD arm, 1 209kg (2,670lb) bucket, 5 100kg (11,250lb) counterweight		
Triple grouser	600	24	30 230	66,660	58.3	8.5	3 190	10'6"	29 750	65,600	57.4	8.3	3 190	10'6"		
	700	28	30 790	67,890	50.9	7.4	3 290	10'10"	30 310	66,830	50.1	7.3	3 290	10'10"		
	800	32	31 170	68,730	45.1	6.5	3 390	11'1"	30 690	67,670	44.4	6.4	3 390	11'1"		
	900	36	31 540	69,550	40.6	5.9	3 490	11'5"	31 060	68,490	39.9	5.8	3 490	11'5"		
Triple grouser(HD)	600	24	30 430	67,100	58.7	8.5	3 190	10'6"	29 950	66,040	57.8	8.4	3 190	10'6"		
Double grouser	700	28	30 940	68,220	51.2	7.4	3 290	10'10"	30 460	67,160	50.4	7.3	3 290	10'10"		
	EC300E with L undercarriage, 6.2m (20'4") 2-piece boom, 3.05m (10') arm, 1 209kg (2,670lb) bucket, 5 100kg (11,250lb) counterweight													EC300E with L undercarriage, 6.2m (20'4") boom, 3.05m (10') arm, 1 209kg (2,670lb) bucket, 5 500kg (12,130lb) counterweight		
Triple grouser	600	24	30 050	66,260	58.0	8.4	3 190	10'6"	30 630	67,540	59.1	8.6	3 190	10'6"		
	700	28	30 610	67,500	50.6	7.3	3 290	10'10"	31 190	68,770	51.6	7.5	3 290	10'10"		
	800	32	30 990	68,330	44.8	6.5	3 390	11'1"	31 570	69,610	45.7	6.6	3 390	11'1"		
	900	36	31 360	69,150	40.3	5.8	3 490	11'5"	31 940	70,430	41.1	6.0	3 490	11'5"		
Triple grouser(HD)	600	24	30 250	66,700	58.4	8.5	3 190	10'6"	30 830	67,980	59.5	8.6	3 190	10'6"		
Double grouser	700	28	30 760	67,830	50.9	7.4	3 290	10'10"	31 340	69,100	51.8	7.5	3 290	10'10"		
	EC300E with L undercarriage, 6.2m (20'4") HD boom, 3.05m (10') HD arm, 1 209kg (2,670lb) bucket, 5 500kg (12,130lb) counterweight													EC300E with L undercarriage, 6.2m (20'4") 2-piece boom, 3.05m (10') arm, 1 209kg (2,670lb) bucket, 5 500kg (12,130lb) counterweight		
Triple grouser	600	24	31 470	69,390	60.7	8.8	3 190	10'6"								
	800	32	32 400	71,440	46.9	6.8	3 390	11'1"								
	900	36	32 770	72,260	42.1	6.1	3 490	11'5"								
	Triple grouser(HD)	600	24	31 670	69,830	61.1	8.9	3 290	10'10"							
EC300E with LR undercarriage, 10.2m (33'6") LR boom, 7.9m (25'11") LR arm, 473kg (1,040lb) bucket, 6 800kg (14,990lb) counterweight																

BUCKET SELECTION GUIDE

Bucket type		Capacity		Cutting width		Weight		Teeth		EC250EL					
										6.0m(19'8") GP Boom			6.0m(19'8") HD Boom		
		600mm(24") shoe, 4 950kg(10910lb) counterweight													
		m ³	yd ³	mm	ft/in	kg	lb	EA	H2.5m(8'2")	G2.97m(9'9")	G3.6m(11'10")	H2.5m(8'2")	G2.97m(9'9")	G3.6m(11'10")	
Direct fit Buckets	General purpose	0.56	0.73	600	24	861	1899	3	C	C	C	C	C	C	
		0.62	0.81	750	30	884	1950	3	C	C	C	C	C	C	
		0.77	1.01	900	36	986	2174	4	C	C	C	C	C	C	
		1.14	1.49	1200	47	1177	2595	5	C	C	C	C	C	C	
		1.32	1.73	1350	53	1257	2772	5	C	C	C	C	C	C	
	Heavy duty	1.51	1.98	1500	59	1356	2990	5	C	C	C	C	C	B	
		0.56	0.73	600	24	936	2065	3	D	D	D	D	D	D	
		0.62	0.81	750	30	967	2131	3	D	D	D	D	D	D	
		1.14	1.49	1200	47	1298	2862	5	D	D	D	D	D	D	
		1.32	1.73	1350	53	1384	3051	5	D	D	D	D	D	D	
1.51	1.98	1500	59	1480	3264	5	D	C	B	D	C	B			
1.51	1.98	1500	59	1455	3208	5	D	C	B	D	C	B			
Bucket type		Capacity		Cutting width		Weight		Teeth		EC250EL					
										5.95m(19'6") 2-piece Boom					
		600mm(24") shoe, 4 950kg(10910lb) counterweight													
		m ³	yd ³	mm	ft/in	kg	lb	EA	H2.5m(8'2")	G2.97m(9'9")	G3.6m(11'10")	H2.5m(8'2")	G2.97m(9'9")	G3.6m(11'10")	
Direct fit Buckets	General purpose	0.56	0.73	600	24	861	1899	3	C	C	C	C	C		
		0.62	0.81	750	30	884	1950	3	C	C	C	C	C		
		0.77	1.01	900	36	986	2174	4	C	C	C	C	C		
		1.14	1.49	1200	47	1177	2595	5	C	C	C	C	C		
		1.32	1.73	1350	53	1257	2772	5	C	C	C	C	C		
	Heavy duty	1.51	1.98	1500	59	1356	2990	5	C	C	C	C	B		
		0.56	0.73	600	24	936	2065	3	D	D	D	D	D		
		0.62	0.81	750	30	967	2131	3	D	D	D	D	D		
		1.14	1.49	1200	47	1298	2862	5	D	D	D	D	D		
		1.32	1.73	1350	53	1384	3051	5	D	D	D	D	C		
1.51	1.98	1500	59	1480	3264	5	D	C	C	C	B				
1.51	1.98	1500	59	1455	3208	5	D	C	C	C	B				
Bucket type		Capacity		Cutting width		Weight		Teeth		EC300EL					
										6.2m(20'4") GP Boom			6.2m(20'4") HD Boom		
		600mm(24") shoe, 5 500kg(12125lb) counterweight													
		m ³	yd ³	mm	ft/in	kg	lb	EA	H2.55m(8'4")	G3.05m(10')	G3.7m(12'2")	H2.55m(8'4")	G3.05m(10')	G3.7m(12'2")	
Direct fit Buckets	General purpose	0.55	0.72	600	23	881	1942	3	D	D	D	D	D	D	
		0.66	0.86	750	29	927	2045	3	D	D	D	D	D	D	
		0.77	1.01	900	35	996	2195	4	D	D	D	D	D	D	
		1.14	1.49	1200	47	1187	2617	5	D	D	D	D	D	D	
		1.32	1.73	1350	53	1267	2794	5	D	D	D	D	D	D	
	Heavy duty	1.51	1.98	1500	59	1365	3010	5	D	D	B	D	D	C	
		0.55	0.72	600	23	954	2103	3	D	D	D	D	D	D	
		0.66	0.86	750	29	1011	2229	3	D	D	D	D	D	D	
		1.14	1.49	1200	47	1305	2878	5	D	D	D	D	D	D	
		1.32	1.73	1350	53	1392	3069	5	D	D	D	D	D	D	
1.51	1.98	1500	59	1488	3280	5	D	C	B	D	D	B			
Bucket type		Capacity		Cutting width		Weight		Teeth		EC300EL					
										6.0m(19'8") GP Boom					
		600mm(24") shoe, 5 500kg(12125lb) counterweight													
		m ³	yd ³	mm	ft/in	kg	lb	EA	H2.55m(8'4")	G3.05m(10')	G3.7m(12'2")	H2.55m(8'4")	G3.05m(10')	G3.7m(12'2")	
Direct fit Buckets	General purpose	0.55	0.72	600	23	881	1942	3	D	D	D	D	D		
		0.66	0.86	750	29	927	2045	3	D	D	D	D	D		
		0.77	1.01	900	35	996	2195	4	D	D	D	D	D		
		1.14	1.49	1200	47	1187	2617	5	D	D	D	D	D		
		1.32	1.73	1350	53	1267	2794	5	D	D	D	D	D		
	Heavy duty	1.51	1.98	1500	59	1365	3010	5	D	C	C	B	B		
		0.55	0.72	600	23	954	2103	3	D	D	D	D	D		
		0.66	0.86	750	29	1011	2229	3	D	D	D	D	D		
		1.14	1.49	1200	47	1305	2878	5	D	D	D	D	D		
		1.32	1.73	1350	53	1392	3069	5	D	D	D	D	C		
1.51	1.98	1500	59	1488	3280	5	D	C	C	D	C	B			

*For long reach boom and arm configuration, Volvo recommends to use 0.52cum(0.68yd3) bucket for EC250E and 0.57cum(0.75 yd3) bucket for EC300E.

Please consult with your Volvo dealer for the proper match of buckets and attachments to suit the application.

The recommendations are given as a guide only, based on typical operation conditions.

Bucket capacity based on ISO 7451, heaped material with a 1:1 angle of repose.

X : Not recommended

Maximum material density

	kg/m ³	lb/yd ³	
A	1 200 - 1 300	2,000 - 2,200	Coal, Caliche, Shale
B	1 400 - 1 600	2,300 - 2,700	Wet earth and clay, Limestone, Sandstone
C	1 700 - 1 800	2,800 - 3,100	Granite, Wet sand, Well blasted rock
D	> 1 900	> 3,200	Wet mud, Iron ore

LIFTING CAPACITY EC250EL

Lifting capacity at the arm end without bucket.

For lifting capacity including bucket, simply subtract actual weight of the direct fit bucket or the bucket with quick coupler from the following values.

	Lifting hook related to ground level	1.5m, 5 ft		3.0m, 10 ft		4.5m, 15 ft		6.0m, 20 ft		7.5m, 25 ft		9.0m, 30 ft		Max. Reach		m	
		Along UC	Across UC	Along UC	Across UC	Along UC	Across UC	Along UC	Across UC	Along UC	Across UC	Along UC	Across UC	Along UC	Across UC		
Boom: 6.0m, 19'8"	7.5 m kg													*5 010	*5 010	7.2	
	25 ft lb													*11,110	*11,110	23.4	
	6.0 m kg									*5 490	5 230			*4 860	4 470	8.2	
	20 ft lb									*12,120	11,230			*10,740	9,970	26.7	
	4.5 m kg								*6 260	*6 260	*5 900	5 100			*4 920	3 890	8.8
	15 ft lb								*13,610	*13,610	*12,910	10,970			*10,830	8,630	28.8
	3.0 m kg			*15 460	*15 460	*9 620	*9 620	*7 560	6 880	*6 580	4 900	5 490	3 660	*5 140	3 580	9.1	
	10 ft lb			*32,810	*32,810	*20,710	*20,710	*16,390	14,850	*14,330	10,560	12,100	8,070	*11,320	7,920	29.9	
	Arm: 3.6m, 11'10"	1.5 m kg					*12 230	9 850	*8 920	6 490	7 110	4 690	5 380	3 560	5 220	3 460	9.2
	5 ft lb					*26,380	21,250	*19,320	14,010	15,320	10,120	11,590	7,670	11,520	7,630	30.1	
	Shoe: 600mm, 24"	0 m kg			*7 030	*7 030	*13 880	9 370	9 710	6 200	6 930	4 530			5 310	3 490	9.0
	0 ft lb			*16,080	*16,080	*30,040	20,180	20,900	13,370	14,930	9,760			11,710	7,700	29.5	
	-1.5 m kg	*6 770	*6 770	*10 770	*10 770	*14 480	9 180	9 530	6 040	6 830	4 430			5 680	3 720	8.5	
	-5 ft lb	*15,140	*15,140	*24,400	*24,400	*31,380	19,760	20,510	13,040	14,710	9,560			12,560	8,220	27.9	
	CWT: 4 950kg, 10,910lb	-3.0 m kg	*11 010	*11 010	*15 970	*15 970	*14 160	9 190	9 510	6 020	6 830	4 440			6 530	4 260	7.7
-10 ft lb	*24,690	*24,690	*36,250	*36,250	*30,680	19,780	20,470	12,990	14,740	9,590			14,500	9,450	25.3		
-4.5 m kg	*16 320	*16 320	*18 330	*18 330	*12 790	9 370	*9 440	6 150					*8 440	5 490	6.5		
-15 ft lb	*36,820	*36,820	*39,520	*39,520	*27,560	20,200	*20,210	13,300					*18,700	12,310	21.2		
-6.0 m kg					*9 310	*9 310							*9 230	*9 230	4.5		
-20 ft lb					*20,530	*20,530							*20,350	*20,350	14.9		
Boom: 6.0m, 19'8"	7.5 m kg							*6 710	*6 710					*6 770	*6 770	6.1	
	25 ft lb							*14,790	*14,790					*14,960	*14,960	19.7	
	6.0 m kg							*6 730	*6 730					*6 760	5 450	7.2	
	20 ft lb							*14,740	*14,740					*14,900	12,180	23.6	
	4.5 m kg					*9 100	*9 100	*7 560	7 160	*6 930	5 060			*6 900	4 630	7.9	
	15 ft lb					*19,580	*19,580	*16,420	15,450	*15,200	10,880			*15,190	10,270	25.9	
	Arm: 2.5m, 8'2"	3.0 m kg					*11 760	10 350	*8 750	6 820	7 390	4 910			6 350	4 230	8.3
	10 ft lb					*25,270	22,350	*18,940	14,710	15,910	10,580			14,020	9,340	27.1	
	Shoe: 800mm, 32"	1.5 m kg					*13 830	9 750	*9 870	6 510	7 220	4 750			6 170	4 090	8.3
	5 ft lb					*29,840	21,040	*21,380	14,050	15,550	10,260			13,620	9,020	27.3	
	0 m kg					*14 610	9 520	9 900	6 320	7 100	4 650			6 350	4 180	8.1	
	0 ft lb					*31,640	20,510	21,300	13,630	15,310	10,040			14,000	9,220	26.6	
	-1.5 m kg			*10 400	*10 400	*14 420	9 510	9 830	6 260	7 090	4 640			6 960	4 560	7.6	
	-5 ft lb			*23,830	*23,830	*31,270	20,470	21,160	13,500	15,630	10,230			15,380	10,080	24.9	
	-3.0 m kg			*18 430	*18 430	*13 340	9 640	9 920	6 340					8 420	5 470	6.7	
-10 ft lb			*40,020	*40,020	*28,890	20,760	21,370	13,700					18,730	12,170	21.9		
-4.5 m kg			*14 740	*14 740	*10 740	9 970							*8 920	7 960	5.3		
-15 ft lb			*31,610	*31,610	*22,870	21,520							*19,680	18,060	16.9		
-6.0 m kg								*5 980	*5 980				*6 050	*6 050	6.6		
25 ft lb								*13,200	*13,200				*13,420	*13,420	21.4		
6.0 m kg								*6 130	*6 130	*6 190	5 200			*5 790	5 000	7.7	
20 ft lb								*13,430	*13,430	*13,650	11,460			*12,780	11,170	25.0	
4.5 m kg					*8 190	*8 190	*7 000	*7 000	*6 470	5 100			*5 810	4 300	8.3		
15 ft lb					*17,640	*17,640	*15,230	*15,230	*14,170	10,990			*12,800	9,540	27.2		
Arm: 2.97m, 9'9"	3.0 m kg					*10 860	10 550	*8 250	6 880	*7 070	4 930			5 930	3 950	8.6	
10 ft lb					*23,340	22,760	*17,870	14,850	*15,410	10,630			13,100	8,720	28.3		
Shoe: 800mm, 32"	1.5 m kg					*13 190	9 850	*9 480	6 540	7 220	4 760			5 770	3 820	8.7	
5 ft lb					*28,440	21,250	*20,540	14,110	15,560	10,260			12,720	8,420	28.6		
0 m kg			*5 230	*5 230	*14 370	9 510	9 890	6 310	7 080	4 620			5 900	3 880	8.5		
0 ft lb			*11,530	*11,530	*31,100	20,490	21,280	13,600	15,260	9,980			13,010	8,560	27.9		
-1.5 m kg	*6 610	*6 610	*10 640	*10 640	*14 510	9 430	9 780	6 210	7 020	4 570			6 400	4 190	8.0		
-5 ft lb	*14,840	*14,840	*24,190	*24,190	*31,470	20,290	21,040	13,390	15,140	9,870			14,140	9,260	26.3		
-3.0 m kg	*12 320	*12 320	*17 730	*17 730	*13 770	9 510	9 820	6 240					7 540	4 910	7.2		
-10 ft lb	*27,680	*27,680	*40,400	*40,400	*29,820	20,480	21,130	13,470					16,760	10,900	23.4		
-4.5 m kg			*16 440	*16 440	*11 780	9 770							*8 740	6 700	5.8		
-15 ft lb			*35,370	*35,370	*25,260	21,070							*19,330	15,110	18.9		
7.5 m kg													*5 010	*5 010	7.2		
25 ft lb													*11,110	*11,110	23.4		
6.0 m kg									*5 490	5 330			*4 860	4 560	8.2		
20 ft lb									*12,120	11,450			*10,740	10,170	26.7		
4.5 m kg								*6 260	*6 260	*5 900	5 200			*4 920	3 970	8.8	
15 ft lb								*13,610	*13,610	*12,910	11,190			*10,830	8,810	28.8	
3.0 m kg			*15 460	*15 460	*9 620	*9 620	*7 560	7 010	*6 580	5 000	5 610	3 740	*5 140	3 660	9.1		
Arm: 3.6m, 11'10"	10 ft lb			*32,810	*32,810	*20,710	*20,710	*16,390	15,130	*14,330	10,770	12,360	8,240	*11,320	8,090	29.9	
1.5 m kg					*12 230	10 050	*8 920	6 620	7 270	4 790	5 510	3 640	5 340	3 530	9.2		
5 ft lb					*26,380	21,670	*19,320	14,290	15,660	10,340	11,860	7,850	11,790	7,800	30.1		
Shoe: 800mm, 32"	0 m kg			*7 030	*7 030	*13 880	9 560	9 930	6 330	7 090	4 630			5 430	3 570	9.0	
0 ft lb			*16,080	*16,080	*30,040	20,600	21,360	13,660	15,270	9,980			11,990	7,880	29.5		
-1.5 m kg	*6 770	*6 770	*10 770	*10 770	*14 480	9 380	9 750	6 180	6 980	4 530			5 820	3 810	8.5		
-5 ft lb	*15,140	*15,140	*24,400	*24,400	*31,380	20,180	20,980	13,320	15,050	9,780			12,850	8,410	27.9		
CWT: 4 950kg, 10,910lb	-3.0 m kg	*11 010	*11 010	*15 970	*15 970	*14 160	9 390	9 720	6 150	6 990	4 540			6 690	4 350	7.7	
-10 ft lb	*24,690	*24,690	*36,250	*36,250	*30,680	20,210	20,930	13,280	15,080	9,810			14,830	9,660	25.3		
-4.5 m kg	*16 320	*16 320	*18 330	*18 330	*12 790	9 570	*9 440	6 280					*8 440	5 610	6.5		
-15 ft lb	*36,820	*36,820	*39,520	*39,520	*27,560	20,620	*20,210	13,580					*18,700	12,580	21.2		
-6.0 m kg					*9 310	*9 310							*9 230	*9 230	4.5		
-20 ft lb					*20,530	*20,530							*20,350	*20,350	14.9		

Notes: 1. Machine in "Fine Mode-F" (Power Boost) for lifting capacities. 2. The above loads are in compliance with SAE J1097 and ISO 10567 Hydraulic Excavator Lifting Capacity Standards. 3. Rated loads do not exceed 87% of hydraulic lifting capacity or 75% of tipping load. 4. Rated loads marked with an asterisk (*) are limited by hydraulic capacity rather than tipping load.

Specifications

LIFTING CAPACITY EC250ELR

Lifting capacity at the arm end without bucket.

For lifting capacity including bucket, simply subtract actual weight of the direct fit bucket or the bucket with quick coupler from the following values.

Lifting hook related to ground level	0 m, 0 ft		1.5m, 5 ft		3.0m, 10 ft		4.5m, 15 ft		6.0m, 20 ft		7.5m, 25 ft		9.0m, 30 ft	
	Along UC	Across UC	Along UC	Across UC	Along UC	Across UC	Along UC	Across UC	Along UC	Across UC	Along UC	Across UC	Along UC	Across UC
3.0 m kg					*4 200	*4 200	*6 820	*6 820	*4 930	*4 930	*3 940	*3 940	*3 340	*3 340
10 ft lb					*10,580	*10,580	*14,610	*14,610	*10,610	*10,610	*8,510	*8,510	*7,230	*7,230
1.5 m kg					*1 520	*1 520	*5 110	*5 110	*6 010	*6 010	*4 620	*4 620	*3 790	3 710
5 ft lb					*3,350	*3,350	*12,040	*12,040	*12,970	*12,970	*9,980	*9,980	*8,210	8,020
0 m kg					*1 540	*1 540	*3 470	*3 470	*6 890	5 830	*5 210	4 360	*4 210	3 410
0 ft lb					*3,480	*3,480	*7,950	*7,950	*14,890	12,590	*11,270	9,430	*9,110	7,350
-1.5 m kg			*1 500	*1 500	*1 990	*1 990	*3 350	*3 350	*6 260	5 380	*5 670	4 030	*4 550	3 160
-5 ft lb			*3,320	*3,320	*4,470	*4,470	*7,600	*7,600	*14,390	11,620	*12,280	8,700	*9,870	6,810
-3 m kg	*2 060	*2 060	*2 050	*2 050	*2 530	*2 530	*3 660	*3 660	*5 960	5 140	*5 980	3 810	*4 810	2 980
-10 ft lb	*4,580	*4,580	*4,570	*4,570	*5,680	*5,680	*8,290	*8,290	*13,610	11,090	*12,950	8,220	*10,420	6,430
-4.5 m kg	*2 490	*2 490	*2 620	*2 620	*3 120	*3 120	*4 180	*4 180	*6 230	5 040	*6 140	3 690	4 790	2 870
-15 ft lb	*5,550	*5,550	*5,850	*5,850	*7,010	*7,010	*9,450	*9,450	*14,210	10,860	*13,310	7,960	10,330	6,200
-6 m kg	*2 980	*2 980	*3 210	*3 210	*3 770	*3 770	*4 840	*4 840	*6 850	5 030	*6 160	3 650	4 740	2 830
-20 ft lb	*6,650	*6,650	*7,180	*7,180	*8,460	*8,460	*10,940	*10,940	*15,620	10,850	*13,280	7,880	10,220	6,100
-7.5 m kg	*3 510	*3 510	*3 830	*3 830	*4 480	*4 480	*5 630	*5 630	*7 600	5 100	*6 030	3 680	4 750	2 830
-25 ft lb	*7,840	*7,840	*8,590	*8,590	*10,070	*10,070	*12,750	*12,750	*16,430	11,010	*13,030	7,940	10,250	6,120
-9 m kg			*4 510	*4 510	*5 270	*5 270	*6 590	*6 590	*7 150	5 240	*5 720	3 770	*4 710	2 900
-30 ft lb			*10,110	*10,110	*11,870	*11,870	*14,940	*14,940	*15,400	11,320	*12,330	8,140	*10,140	6,270
-10.5 m kg					*6 160	*6 160	*7 760	*7 760	*6 440	5 450	*5 200	3 920	*4 280	3 020
-35 ft lb					*13,910	*13,910	*17,670	*17,670	*13,780	11,810	*11,120	8,490	*9,130	6,550
-12 m kg							*6 800	*6 800	*5 370	*5 370	*4 350	4 150	*3 520	3 230
-40 ft lb							*14,310	*14,310	*11,310	*11,310	*9,130	9,040	*7,290	7,050
Lifting hook related to ground level	10.5m, 35 ft		12m, 40 ft		13.5m, 45 ft		15m, 50 ft		16.5m, 55 ft		Max. Reach		m	
	Along UC	Across UC	Along UC	Across UC	Along UC	Across UC	Along UC	Across UC	Along UC	Across UC	Along UC	Across UC		
13.5 m kg											*570	*570	12.4	
45 ft lb			*1,330	*1,330							*1,280	*1,280	40.1	
12.0 m kg					*640	*640					*520	*520	13.7	
40 ft lb					*1,410	*1,410					*1,170	*1,170	44.5	
10.5 m kg					*1 050	*1 050					*490	*490	14.7	
35 ft lb					*2,070	*2,070					*1,100	*1,100	47.9	
9.0 m kg					*1 300	*1 300	*770	*770			*480	*480	15.5	
30 ft lb					*2,700	*2,700	*1,330	*1,330			*1,070	*1,070	50.6	
7.5 m kg			*1 710	*1 710	*1 500	*1 500	*1 080	*1 080			*480	*480	16.1	
25 ft lb			*3,690	*3,690	*3,180	*3,180	*2,110	*2,110			*1,060	*1,060	52.7	
6.0 m kg			*1 940	*1 940	*1 710	*1 710	*1 310	*1 310	*520	*520	*480	*480	16.6	
20 ft lb			*4,200	*4,200	*3,660	*3,660	*2,660	*2,660	*520	*520	*1,070	*1,070	54.2	
4.5 m kg	*2 530	*2 530	*2 280	*2 280	*1 970	*1 970	*1 520	*1 520	*770	*770	*500	*500	16.9	
15 ft lb	*5,460	*5,460	*4,920	*4,920	*4,200	*4,200	*3,140	*3,140	*1,250	*1,250	*1,110	*1,110	55.3	
3.0 m kg	*2 940	*2 940	*2 660	2 530	*2 290	2 040	*1 740	1 650	*940	*940	*530	*530	17.0	
10 ft lb	*6,380	*6,380	*5,780	5,450	*4,880	4,380	*3,590	3,530	*1,630	*1,630	*1,170	*1,170	55.8	
1.5 m kg	*3 250	2 940	*2 880	2 370	*2 620	1 920	*1 950	1 570	*1 030	*1 030	*570	*570	17.1	
5 ft lb	*7,060	6,340	*6,270	5,090	*5,690	4,120	*4,010	3,360	*1,820	*1,820	*1,250	*1,250	55.9	
0 m kg	*3 550	2 720	*3 100	2 210	*2 780	1 810	*2 140	1 490	*1 040	*1 040	*620	*620	17.0	
0 ft lb	*7,710	5,870	*6,740	4,750	*6,040	3,890	*4,360	3,190	*1,770	*1,770	*1,370	*1,370	55.6	
-1.5 m kg	*3 810	2 540	*3 300	2 080	2 830	1 710	*2 250	1 420	*910	*910	*690	*690	16.7	
-5 ft lb	*8,270	5,480	*7,160	4,470	6,100	3,680	*4,530	3,050	*2,000	*2,000	*1,520	*1,520	54.8	
-3 m kg	3 960	2 410	3 270	1 970	2 760	1 640	*2 220	1 370			*780	*780	16.3	
-10 ft lb	8,530	5,180	7,050	4,250	5,930	3,520	*4,330	2,950			*1,730	*1,730	53.5	
-4.5 m kg	3 860	2 320	3 200	1 910	2 700	1 590	*1 920	1 350			*900	*900	15.8	
-15 ft lb	8,330	4,990	6,900	4,100	5,830	3,430	*3,520	2,900			*2,010	*2,010	51.7	
-6 m kg	3 820	2 270	3 170	1 870	2 690	1 580	*1 220	*1 220			*1 080	*1 080	15.1	
-20 ft lb	8,240	4,900	6,830	4,040	5,800	3,400	*2,690	*2,690			*2,410	*2,410	49.4	
-7.5 m kg	3 820	2 280	3 180	1 880	*2 660	1 600					*1 340	*1 340	14.2	
-25 ft lb	8,250	4,920	6,860	4,070	*4,660	3,460					*3,010	*3,010	46.3	
-9 m kg	3 880	2 330	3 240	1 940							*1 760	1 740	13.1	
-30 ft lb	8,390	5,040	7,010	4,210							*4,010	3,900	42.5	
-10.5 m kg	*3 540	2 440									*2 580	2 140	11.6	
-35 ft lb	*7,490	5,320									*6,010	4,860	37.6	
-12 m kg											*3 120	2 900	9.8	
-40 ft lb											*6,890	6,720	31.1	

Notes: 1. Machine in "Fine Mode-F" (Power Boost) for lifting capacities. 2. The above loads are in compliance with SAE J1097 and ISO 10567 Hydraulic Excavator Lifting Capacity Standards. 3. Rated loads do not exceed 87% of hydraulic lifting capacity or 75% of tipping load. 4. Rated loads marked with an asterisk (*) are limited by hydraulic capacity rather than tipping load.

LIFTING CAPACITY EC300ELR

Lifting capacity at the arm end without bucket.

For lifting capacity including bucket, simply subtract actual weight of the direct fit bucket or the bucket with quick coupler from the following values.

Lifting hook related to ground level	0 m, 0 ft		1.5m, 5 ft		3.0m, 10 ft		4.5m, 15 ft		6.0m, 20 ft		7.5m, 25 ft		9.0m, 30 ft		
	Along UC	Across UC	Along UC	Across UC	Along UC	Across UC	Along UC	Across UC	Along UC	Across UC	Along UC	Across UC	Along UC	Across UC	
3.0m kg					*5 600	*5 600						*4 870	*4 870	*4 130	*4 130
10 ft lb					*13,960	*13,960						*10,530	*10,530	*8,940	*8,940
1.5m kg							*7 490	*7 490	*7 360	7 220	*5 660	5 350	*4 660	4 130	
5 ft lb							*17,590	*17,590	*15,890	15,630	*12,250	11,560	*10,090	8,910	
0 m kg					*2 520	*2 520	*5 350	*5 350	*8 370	6 430	*6 350	4 820	*5 140	3 770	
0 ft lb					*5,700	*5,700	*12,250	*12,250	*18,080	13,890	*13,740	10,420	*11,140	8,130	
-1.5m kg			*2 480	*2 480	*3 240	*3 240	*5 280	*5 280	*9 030	5 920	*6 870	4 440	*5 540	3 490	
-5 ft lb			*5,510	*5,510	*7,280	*7,280	*11,970	*11,970	*19,540	12,780	*14,880	9,580	*12,000	7,520	
-3m kg	*3 350	*3 350	*3 360	*3 360	*4 100	*4 100	*5 830	*5 830	*9 320	5 650	*7 210	4 190	5 790	3 280	
-10 ft lb	*7,430	*7,430	*7,500	*7,500	*9,200	*9,200	*13,170	*13,170	*20,320	12,180	*15,630	9,040	12,490	7,080	
-4.5m kg	*4 060	*4 060	*4 270	*4 270	*5 050	*5 050	*6 690	*6 690	*9 480	5 530	7 340	4 060	5 660	3 160	
-15 ft lb	*9,030	*9,030	*9,530	*9,530	*11,330	*11,330	*15,080	*15,080	*20,540	11,920	15,800	8,740	12,200	6,810	
-6m kg	*4 850	*4 850	*5 210	*5 210	*6 090	*6 090	*7 760	*7 760	*9 360	5 520	7 290	4 010	5 600	3 110	
-20 ft lb	*10,820	*10,820	*11,660	*11,660	*13,670	*13,670	*17,520	*17,520	*20,270	11,910	15,700	8,650	12,070	6,700	
-7.5m kg	*5 720	*5 720	*6 230	*6 230	*7 240	*7 240	*9 050	8 770	*9 020	5 610	*7 180	4 040	5 610	3 120	
-25 ft lb	*12,770	*12,770	*13,950	*13,950	*16,270	*16,270	*20,480	18,890	*19,510	12,100	*15,530	8,730	12,110	6,730	
-9m kg	*6 650	*6 650	*7 330	*7 330	*8 530	*8 530	*10 630	9 060	*8 450	5 770	*6 790	4 150	*5 610	3 190	
-30 ft lb	*14,870	*14,870	*16,450	*16,450	*19,230	*19,230	*23,630	19,530	*18,200	12,470	*14,630	8,970	*12,060	6,910	
-10.5m kg			*8 550	*8 550	*10 040	*10 040	*9 670	9 450	*7 560	6 020	*6 130	4 330	*5 060	3 340	
-35 ft lb			*19,210	*19,210	*22,680	*22,680	*20,680	20,420	*16,170	13,040	*13,100	9,380	*10,780	7,240	
-12m kg					*10 550	*10 550	*7 840	*7 840	*6 230	*6 230	*5 070	4 610	*4 100	3 580	
-40 ft lb					*22,030	*22,030	*16,470	*16,470	*13,100	*13,100	*10,600	10,040	*8,460	7,830	
Lifting hook related to ground level	10.5m, 35 ft		12m, 40 ft		13.5m, 45 ft		15m, 50 ft		16.5m, 55 ft		Max. Reach				
	Along UC	Across UC	Along UC	Across UC	Along UC	Across UC	Along UC	Across UC	Along UC	Across UC	Along UC	Across UC	m		
13.5m kg											*1 170	*1 170	13.0		
45 ft lb											*2,600	*2,600	41.8		
12.0m kg					*1 700	*1 700					*1 090	*1 090	14.2		
40 ft lb					*3,110	*3,110					*2,430	*2,430	46.0		
10.5m kg					*2 250	*2 250	*1 180	*1 180			*1 050	*1 050	15.1		
35 ft lb					*4,640	*4,640	*2,600	*2,600			*2,330	*2,330	49.3		
9.0m kg					*2 450	*2 450	*1 870	*1 870			*1 030	*1 030	15.9		
30 ft lb					*5,390	*5,390	*3,600	*3,600			*2,280	*2,280	51.8		
7.5m kg					*2 540	*2 540	*2 310	2 090			*1 020	*1 020	16.4		
25 ft lb					*5,570	*5,570	*4,710	4,440			*2,260	*2,260	53.8		
6.0m kg			*2 790	*2 790	*2 670	2 540	*2 590	2 020	*1 520	*1 520	*1 030	*1 030	16.9		
20 ft lb			*6,080	*6,080	*5,850	5,430	*5,550	4,300	*2,560	*2,560	*2,270	*2,270	55.3		
4.5m kg	*3 270	*3 270	*3 020	3 020	*2 840	2 410	*2 700	1 930	*1 890	1 540	*1 050	*1 050	17.2		
15 ft lb	*7,100	*7,100	*6,580	6,490	*6,200	5,170	*5,920	4,130	*3,490	3,270	*2,320	*2,320	56.3		
3.0m kg	*3 630	3 540	*3 280	2 820	*3 030	2 270	*2 840	1 840	*2 150	1 480	*1 090	*1 090	17.3		
10 ft lb	*7,890	7,640	*7,140	6,070	*6,590	4,880	*6,190	3,930	*4,080	3,150	*2,400	*2,400	56.8		
1.5m kg	*4 000	3 270	*3 550	2 630	*3 220	2 140	*2 970	1 740	*2 310	1 420	*1 140	*1 140	17.3		
5 ft lb	*8,690	7,040	*7,710	5,650	*7,010	4,580	*6,480	3,730	*4,380	3,020	*2,520	*2,520	56.9		
0 m kg	*4 350	3 020	*3 800	2 450	*3 400	2 010	2 920	1 650	*2 340	1 360	*1 210	*1 210	17.2		
0 ft lb	*9,440	6,500	*8,260	5,270	*7,400	4,300	6,290	3,530	*4,340	2,910	*2,680	*2,680	56.5		
-1.5m kg	*4 650	2 810	*3 990	2 300	*3 350	1 890	2 840	1 570	*2 150	1 310	*1 310	1 240	17.0		
-5 ft lb	*10,080	6,050	8,600	4,940	7,210	4,070	6,120	3,370	*3,760	2,810	*2,890	2,750	55.7		
-3m kg	4 670	2 650	3 870	2 180	3 260	1 810	2 780	1 520	*1 630	1 290	*1 430	1 270	16.6		
-10 ft lb	10,070	5,710	8,330	4,680	7,020	3,890	5,990	3,250	*3,590	2,840	*3,170	2,820	54.4		
-4.5m kg	4 560	2 550	3 780	2 100	3 200	1 750	2 750	1 490			*1 600	1 340	16.1		
-15 ft lb	9,830	5,490	8,150	4,520	6,900	3,770	5,940	3,200			*3,560	2,960	52.6		
-6m kg	4 510	2 500	3 740	2 060	3 180	1 730	*2 720	1 490			*1 830	1 450	15.4		
-20 ft lb	9,730	5,390	8,080	4,450	6,860	3,740	*4,450	3,230			*4,090	3,210	50.2		
-7.5m kg	4 520	2 500	3 760	2 070	3 210	1 760					*2 170	1 620	14.5		
-25 ft lb	9,750	5,410	8,120	4,480	6,940	3,820					*4,870	3,600	47.2		
-9m kg	4 580	2 570	3 830	2 140							*2 710	1 880	13.3		
-30 ft lb	9,910	5,560	8,290	4,650							*6,120	4,220	43.4		
-10.5m kg	*4 180	2 700									*3 400	2 310	11.9		
-35 ft lb	*8,850	5,890									*7,520	5,240	38.5		
-12m kg											*3 420	3 100	10.1		
-40 ft lb											*7,520	7,180	32.2		

Notes: 1. Machine in "Fine Mode-F" (Power Boost) for lifting capacities. 2. The above loads are in compliance with SAE J1097 and ISO 10567 Hydraulic Excavator Lifting Capacity Standards. 3. Rated loads do not exceed 87% of hydraulic lifting capacity or 75% of tipping load. 4. Rated loads marked with an asterisk (*) are limited by hydraulic capacity rather than tipping load.

Specifications

LIFTING CAPACITY EC300EL

Lifting capacity at the arm end without bucket.

For lifting capacity including bucket, simply subtract actual weight of the direct fit bucket or the bucket with quick coupler from the following values.

	Lifting hook related to ground level	1.5m, 5 ft		3.0m, 10 ft		4.5m, 15 ft		6.0m, 20 ft		7.5m, 25 ft		9.0m, 30 ft		Max. Reach		m
		Along UC	Across UC	Along UC	Across UC	Along UC	Across UC	Along UC	Across UC	Along UC	Across UC	Along UC	Across UC	Along UC	Across UC	
Boom: 6.2m, 20'34"	7.5 m kg							*7 660	*7 660					*7 820	7 080	6.5
	25 ft lb							*17 010	*17 010					*17 270	16 050	21.1
	6.0 m kg							*8 000	*8 000	*7 800	5 550			*7 810	5 480	7.6
	20 ft lb							*17 470	17 340	*17 190	12 230			*17 210	12 230	24.6
	4.5 m kg					*11 310	*11 310	*9 090	7 700	*8 120	5 430			7 430	4 700	8.2
	15 ft lb					*24 290	*24 290	*19 730	16 620	*17 750	11 700			16 480	10 430	26.8
	3.0 m kg					*14 460	11 020	*10 520	7 280	8 370	5 240			6 880	4 310	8.5
	10 ft lb					*31 030	23 810	*22 750	15 720	18 020	11 300			15 190	9 530	27.9
	1.5 m kg					*16 600	10 380	11 490	6 920	8 170	5 050			6 720	4 180	8.5
	5 ft lb					*35 810	22 390	24 730	14 950	17 590	10 900			14 820	9 230	28.0
	0 m kg					*17 180	10 180	11 260	6 720	8 030	4 930			6 930	4 290	8.3
	0 ft lb					*37 230	21 910	24 210	14 500	17 310	10 650			15 270	9 460	27.3
	-1.5 m kg			*12 810	*12 810	*16 750	10 190	11 200	6 670	8 010	4 920			7 610	4 690	7.8
-5 ft lb			*29 220	*29 220	*36 350	21 920	24 080	14 380	17 280	10 620			16 820	10 370	25.5	
-3.0 m kg			*20 860	*20 860	*15 370	10 350	11 310	6 770					9 210	5 630	6.9	
-10 ft lb			*45 320	45 040	*33 290	22 290	24 350	14 610					20 470	12 520	22.5	
-4.5 m kg			*16 600	*16 600	*12 360	10 730							*9 950	8 130	5.4	
-15 ft lb			*35 630	*35 630	*26 360	23 160							*21 930	18 410	17.6	
7.5 m kg													*6 350	6 100	7.2	
25 ft lb													*14 090	13 750	23.3	
6.0 m kg										*7 190	5 680		*6 080	4 900	8.2	
20 ft lb										*15 840	12 210		*13 430	10 940	26.6	
4.5 m kg								*8 500	7 860	*7 660	5 530		*6 080	4 290	8.7	
15 ft lb								*18 430	16 950	*16 750	11 920		*13 390	9 500	28.6	
3.0 m kg								*10 000	7 420	*8 420	5 320	6 340	3 990	*6 280	3 970	9.0
10 ft lb					*13 430	11 340	*10 000	7 420	*8 420	5 320			*13 830	8 760	29.6	
1.5 m kg					*15 980	10 590	*11 400	7 030	8 230	5 110			6 240	3 900	9.1	
5 ft lb					*34 660	22 840	*24 680	15 170	17 720	11 030			13 610	8 500	29.8	
0 m kg					*17 090	10 250	11 320	6 780	8 060	4 960			6 330	3 930	8.9	
0 ft lb					*37 010	22 080	24 350	14 620	17 370	10 700			13 960	8 680	29.0	
-1.5 m kg	*7 560	*7 560	*11 710	*11 710	*17 060	10 180	11 200	6 680	7 990	4 900			6 860	4 250	8.4	
-5 ft lb	*16 950	*16 950	*26 600	*26 600	*37 000	21 920	24 100	14 400	17 230	10 580			15 150	9 380	27.4	
-3.0 m kg	*13 850	*13 850	*19 420	*19 420	*16 060	10 290	11 250	6 720	8 080	4 980			8 030	4 950	7.5	
-10 ft lb	*31 100	*31 100	*44 160	*44 160	*34 770	22 150	24 210	14 500	17 810	10 980			17 820	10 990	24.6	
-4.5 m kg			*18 860	*18 860	*13 700	10 580	*10 000	6 960					*9 370	6 600	6.2	
-15 ft lb			*40 590	*40 590	*29 410	22 810	*21 100	15 070					*20 670	14 840	20.2	
7.5 m kg										*6 300	5 840		*5 610	*5 010	8.0	
25 ft lb										*13 160	12 490		*11 110	*11 110	25.8	
6.0 m kg										*6 390	5 780		*4 820	4 320	8.8	
20 ft lb										*14 070	12 420		*10 650	9 620	28.8	
4.5 m kg								*7 570	*7 570	*6 970	5 600	*6 480	4 110	*4 820	3 820	9.4
15 ft lb								*16 430	*16 430	*15 230	12 050	*12 880	8 820	*10 610	8 470	30.7
3.0 m kg								*9 140	7 530	*7 810	5 350	6 360	4 000	*4 960	3 560	9.6
10 ft lb					*11 900	11 650	*10 700	7 080	8 240	5 110			*5 250	3 450	9.7	
1.5 m kg					*25 590	25 150	*19 780	16 240	*16 990	11 540	13 680	8 600	*10 910	7 860	31.6	
5 ft lb					*14 830	10 740	*10 700	7 080	8 240	5 110			6 220	3 870	31.8	
0 m kg					*31 970	23 160	*23 160	15 260	17 740	11 010	13 400	8 340	*11 570	7 620	31.8	
0 ft lb					*16 530	10 220	11 310	6 750	8 020	4 920			5 670	3 500	9.5	
-1.5 m kg	*6 990	*6 990	*15 560	*15 560	*35 780	22 020	24 310	14 550	17 280	10 600	6 120	3 770	5 670	3 730	31.1	
-5 ft lb	*15 650	*15 650	*24 970	*24 970	*36 920	21 610	23 890	14 190	17 020	10 370	13 180	8 140	12 510	7 730	31.1	
-3.0 m kg	*11 650	*11 650	*16 650	*16 650	*16 520	10 070	11 090	6 560	7 910	4 810	6 080	3 740	6 070	3 730	9.0	
-10 ft lb	*26 150	*26 150	*37 790	*37 790	*35 790	21 670	23 850	14 150	17 050	10 390			15 320	9 420	27.0	
-4.5 m kg	*17 420	*17 420	*21 100	*20 820	*14 850	10 280	*11 050	6 700					*8 740	5 340	7.1	
-15 ft lb	*39 290	*39 290	*45 510	*44 560	*32 010	22 140	*23 710	14 480					*19 320	11 960	23.1	
-6.0 m kg			*15 550	*15 550	*11 020	10 760							*8 920	8 470	5.3	
-20 ft lb			*32 790	*32 790	*23 020	*23 020							*19 630	19 580	16.9	
7.5 m kg								*7 630	*7 630				*7 780	7 070	6.5	
25 ft lb								*16 930	*16 930				*17 180	16 040	21.1	
6.0 m kg								*7 960	*7 960	*7 750	5 530		*7 760	5 460	7.6	
20 ft lb								*17 380	17 340	*17 080	12 190		*17 100	12 190	24.6	
4.5 m kg								*11 250	*11 250	*9 040	7 690	*8 060	5 410	7 420	4 670	8.2
15 ft lb								*24 160	*24 160	*19 610	16 590	*17 630	11 650	16 450	10 370	26.8
3.0 m kg								*14 360	10 970	*10 440	7 250	8 360	5 210	6 850	4 280	8.5
10 ft lb								*30 820	23 700	*22 600	15 650	17 990	11 230	15 140	9 460	27.9
1.5 m kg								*16 470	10 300	11 460	6 870	8 140	5 010	6 690	4 140	8.5
5 ft lb								*35 540	22 210	24 660	14 840	17 530	10 810	14 760	9 140	28.0
0 m kg								*17 040	10 080	11 210	6 660	8 000	4 890	6 890	4 240	8.3
0 ft lb								*36 930	21 700	24 120	14 360	17 230	10 540	15 200	9 360	27.3
-1.5 m kg			*12 810	*12 810	*16 610	10 090	11 140	6 600	7 970	4 860			7 580	4 640	7.8	
-5 ft lb			*29 220	*29 220	*36 040	21 710	23 970	14 230	17 200	10 510			16 740	10 260	25.5	
-3.0 m kg			*20 660	*20 660	*15 230	10 260	11 260	6 700					9 170	5 580	6.9	
-10 ft lb			*44 890	44 690	*32 990	22 090	24 240	14 470					20 390	12 400	22.5	
-4.5 m kg			*16 420	*16 420	*12 230	10 650							*9 850	8 070	5.4	
-15 ft lb			*35 250	*35 250	*26 090	22 980							*21 700	18 280	17.6	
7.5 m kg													*6 360	6 060	7.2	
25 ft lb													*14 110	13 690	23.3	
6.0 m kg										*7 110	5 650		*6 090	4 860	8.2	
20 ft lb										*15 670	12 130		*13 450	10 830	26.6	
4.5 m kg								*8 400	7 820	*7 570	5 490		*6 080	4 230	8.7	
15 ft lb								*18 240	16 870	*16 540	11 810		*13 400	9 380	28.6	
3.0 m kg								*13 270	11 240	*9 870	7 350	*8 310	5 260	6 250	3 900	9.0
10 ft lb								*28 510	24 280	*21 370	15 860	*18 080	8 660	13 810	8 620	29.6
1.5 m kg								*15 760	10 420	*11 250	6 930	8 160	5 030	6 180	3 830	9.1
5 ft lb								*34 000	22 490	*24 360	14 950	17 580	10 850	13 620	8 440	29.8
0 m kg								*16 860	10 060	11 210	6 650	7 980	4 870	6 260	3 860	8.9
0 ft lb								*36 500	21 660	24 120	14 350	17 200	10 500	13 820	8 510	29.0
-1.5 m kg	*7 560	*7 560	*11 720	*11 720	*16 820	9 990	11 090	6 540	7 910	4 800			6 790	4 160	8.4	
-5 ft lb	*16 960	*16 960	*26 620	*26 620	*36 480	21 490	23 850	14 110	17 050	10 370			15 000	9 200	27.4	
-3.0 m kg	*13 860	*13 860	*19 430	*19 430	*15 820	10										

LIFTING CAPACITY EC300EL

Lifting capacity at the arm end without bucket.

For lifting capacity including bucket, simply subtract actual weight of the direct fit bucket or the bucket with quick coupler from the following values.

	Lifting hook related to ground level	1.5m, 5 ft		3.0m, 10 ft		4.5m, 15 ft		6.0m, 20 ft		7.5m, 25 ft		9.0m, 30 ft		Max. Reach		m	
		Along UC	Across UC	Along UC	Across UC	Along UC	Across UC	Along UC	Across UC	Along UC	Across UC	Along UC	Across UC	Along UC	Across UC		
Boom : 6.2m, 20'34" Arm : 3.7m, 12'2" Shoe : 600mm, 24" CWT : 5 500kg, 12,130lb	7.5 m kg									*6 270	5 840			*5 010	*5 010	8.0	
	25 ft lb									*13,160	12,490			*11,110	*11,110	25.8	
	6.0 m kg									*6 360	5 780			*4 820	4 300	8.8	
	20 ft lb									*13,990	12,420			*10,650	9,590	28.8	
	4.5 m kg								*7 530	*7 530	*6 930	5 590	*6 480	4 090	*4 820	3 800	9.4
	15 ft lb								*16,350	*16,350	*15,130	12,030	*12,880	8,780	*10,610	8,420	30.7
	3.0 m kg					*11 830	11 640	*9 080	7 510	*7 750	5 330	6 350	3 970	*4 960	3 530	9.6	
	10 ft lb					*25,440	25,120	*19,660	16,210	*16,870	11,490	13,650	8,540	*10,910	7,790	31.6	
	1.5 m kg					*14 720	10 680	*10 620	7 040	8 220	5 080	6 200	3 840	*5 250	3 420	9.7	
	5 ft lb					*31,750	23,040	*23,000	15,180	17,700	10,940	13,350	8,270	*11,570	7,540	31.8	
	0 m kg				*6 800	*6 800	*16 410	10 140	11 270	6 690	8 000	4 870	6 090	3 740	5 650	3 470	9.5
	0 ft lb				*15,560	*15,560	*35,500	21,840	24,240	14,440	17,220	10,510	13,120	8,050	12,450	7,650	31.1
	-1.5 m kg	*6 990	*6 990	*11 020	*11 020	*16 900	9 940	11 060	6 520	7 870	4 760	6 050	3 700	6 040	3 690	9.0	
	-5 ft lb	*15,650	*15,650	*24,970	*24,970	*36,620	21,390	23,790	14,050	16,950	10,270	13,340	8,150	13,330	8,160	29.5	
	-3.0 m kg	*11 650	*11 650	*16 650	*16 650	*16 380	9 970	11 040	6 490	7 870	4 760			6 880	4 200	8.3	
	-10 ft lb	*26,150	*26,150	*37,790	*37,790	*35,490	21,450	23,740	14,010	16,970	10,280			15,250	9,320	27.0	
	-4.5 m kg	*17 420	*17 420	*20 900	*20 900	*14 720	10 180	*10 950	6 640					*8 660	5 290	7.1	
	-15 ft lb	*39,290	*39,290	*45,080	*45,080	*31,720	21,940	*23,490	14,350					*19,130	11,850	23.1	
	-6.0 m kg			*15 370	*15 370	*10 910	10 690							*8 820	8 410	5.3	
-20 ft lb			*32,410	*32,410	*22,760	*22,760							*19,410	*19,410	16.9		
7.5 m kg								*7 630	*7 630					*7 780	7 260	6.5	
25 ft lb								*16,930	*16,930					*17,180	16,470	21.1	
6.0 m kg								*7 960	*7 960	*7 750	5 690			*7 760	5 620	7.6	
20 ft lb								*17,380	*17,380	*17,080	12,540			*17,100	12,540	24.6	
4.5 m kg					*11 250	*11 250	*9 040	7 900	*8 060	5 570				7 650	4 820	8.2	
15 ft lb					*24,160	*24,160	*19,610	17,040	*17,630	11,990				16,970	10,680	26.8	
3.0 m kg					*14 360	11 280	*10 440	7 460	8 620	5 370				7 080	4 420	8.5	
10 ft lb					*30,820	24,380	*22,600	16,100	18,560	11,570				15,640	9,760	27.9	
1.5 m kg					*16 470	10 610	*11 680	7 080	8 400	5 170				6 910	4 280	8.5	
5 ft lb					*35,540	22,890	*25,290	15,290	18,100	11,160				15,250	9,440	28.0	
0 m kg					*17 040	10 390	11 570	6 870	8 260	5 040				7 130	4 380	8.3	
0 ft lb					*36,930	22,370	24,900	14,820	17,800	10,890				15,710	9,670	27.3	
-1.5 m kg			*12 810	*12 810	*16 610	10 400	11 510	6 810	8 240	5 020				7 830	4 790	7.8	
-5 ft lb			*29,220	*29,220	*36,040	22,380	24,750	14,690	17,770	10,860				17,300	10,590	25.5	
-3.0 m kg			*20 660	*20 660	*15 230	10 570	*11 500	6 910						9 470	5 750	6.9	
-10 ft lb			*44,890	*44,890	*32,990	22,760	*24,790	14,930						21,050	12,790	22.5	
-4.5 m kg			*16 420	*16 420	*12 230	10 960								*9 850	8 310	5.4	
-15 ft lb			*35,250	*35,250	*26,090	23,660								*21,700	18,820	17.6	
7.5 m kg														*6 360	6 230	7.2	
25 ft lb														*14,110	14,060	23.3	
6.0 m kg									*7 110	5 810				*6 090	5 000	8.2	
20 ft lb									*15,670	12,470				*13,450	11,150	26.6	
4.5 m kg								*8 400	8 030	*7 570	5 640			*6 080	4 360	8.7	
15 ft lb								*18,240	17,320	*16,540	12,150			*13,400	9,670	28.6	
3.0 m kg					*13 270	11 550	*9 870	7 560	*8 310	5 410	6 500	4 050		*6 280	4 030	9.0	
10 ft lb					*28,510	24,950	*21,370	16,320	*18,080	11,670	14,330	8,930		*13,840	8,900	29.6	
1.5 m kg					*15 760	10 740	*11 250	7 140	8 430	5 190	6 390	3 960		6 320	3 910	9.1	
5 ft lb					*34,000	23,160	*24,360	15,410	18,150	11,190	14,080	8,730		13,930	8,630	29.8	
0 m kg					*16 860	10 370	11 580	6 860	8 250	5 030				6 480	3 990	8.9	
0 ft lb					*36,500	22,340	24,910	14,810	17,770	10,850				14,280	8,790	29.0	
-1.5 m kg	*7 560	*7 560	*11 720	*11 720	*16 820	10 300	11 450	6 750	8 180	4 960				7 020	4 300	8.4	
-5 ft lb	*16,960	*16,960	*26,620	*26,620	*36,480	22,170	24,630	14,570	17,620	10,710				15,500	9,500	27.4	
-3.0 m kg	*13 860	*13 860	*19 430	*19 430	*15 820	10 410	11 510	6 800	8 270	5 040				8 220	5 020	7.5	
-10 ft lb	*31,120	*31,120	*44,190	*44,190	*34,270	22,420	24,760	14,680	18,230	11,110				18,240	11,140	24.6	
-4.5 m kg			*18 550	*18 550	*13 490	10 730	*9 840	7 060						*9 220	6 700	6.2	
-15 ft lb			*39,930	*39,930	*28,960	23,130	*20,770	15,300						*20,340	15,070	20.2	
7.5 m kg									*6 270	6 000				*5 010	*5 010	8.0	
25 ft lb									*13,160	12,830				*11,110	*11,110	25.8	
6.0 m kg									*6 360	5 940				*4 820	4 430	8.8	
20 ft lb									*13,990	12,760				*10,650	9,890	28.8	
4.5 m kg								*7 530	*7 530	*6 930	5 750	*6 480	4 220	*4 820	3 920	9.4	
15 ft lb								*16,350	*16,350	*15,130	12,380	*12,880	9,050	*10,610	8,690	30.7	
3.0 m kg					*11 830	*11 830	*9 080	7 720	*7 750	5 490	6 550	4 100		*4 960	3 640	9.6	
10 ft lb					*25,440	*25,440	*19,660	16,660	*16,870	11,840	14,100	8,820		*10,910	8,050	31.6	
1.5 m kg					*14 720	10 990	*10 620	7 250	8 490	5 240	6 410	3 970		*5 250	3 540	9.7	
5 ft lb					*31,750	23,710	*23,000	15,640	18,270	11,290	13,800	8,540		*11,570	7,800	31.8	
0 m kg				*6 800	*6 800	*16 410	10 450	11 630	6 910	8 260	5 030	3 860		*5 770	3 590	9.5	
0 ft lb				*15,560	*15,560	*35,500	22,510	25,020	14,890	17,790	10,850	13,570	8,330	*12,730	7,910	31.1	
-1.5 m kg	*6 990	*6 990	*11 020	*11 020	*16 900	10 250	11 430	6 730	8 130	4 920	6 260	3 830		6 240	3 820	9.0	
-5 ft lb	*15,650	*15,650	*24,970	*24,970	*36,620	22,070	24,570	14,500	17,520	10,610	13,800	8,440		13,790	8,440	29.5	
-3.0 m kg	*11 650	*11 650	*16 650	*16 650	*16 380	10 280	11 400	6 700	8 130	4 920				7 110	4 340	8.3	
-10 ft lb	*26,150	*26,150	*37,790	*37,790	*35,490	22,120	24,520	14,460	17,540	10,630				15,770	9,630	27.0	
-4.5 m kg	*17 420	*17 420	*20 900	*20 900	*14 720	10 500	*10 950	6 850						*8 660	5 460	7.1	
-15 ft lb	*39,290	*39,290	*45,080	*45,080	*31,720	22,620	*23,490	14,800						*19,130	12,230	23.1	
-6.0 m kg			*15 370	*15 370	*10 910	10 910								*8 820	8 660	5.3	
-20 ft lb			*32,410	*32,410	*22,760	*22,760								*19,410	*19,410	16.9	

Notes: 1. Machine in "Fine Mode-F" (Power Boost) for lifting capacities. 2. The above loads are in compliance with SAE J1097 and ISO 10567 Hydraulic Excavator Lifting Capacity Standards. 3. Rated loads do not exceed 87% of hydraulic lifting capacity or 75% of tipping load. 4. Rated loads marked with an asterisk (*) are limited by hydraulic capacity rather than tipping load.

Equipment

STANDARD EQUIPMENT

	EC250E	EC300E
Engine		
Turbocharged, 4 stroke diesel engine with water cooling, direct injection and charged air cooler that meets Tier 4f requirements	•	•
Air filter with indicator	•	•
Air intake heater	•	•
Cyclone precleaner	•	•
Electric engine shutoff	•	•
Fuel filter and water separator	•	•
Fuel filler pump: 50 l/min(13.2 gpm), with automatic shutoff	•	•
Alternator, 110 A	•	•
Electric/Electronic control system		
Contronics	•	•
Advanced mode control system	•	•
Selfdiagnostic system	•	•
Machine status indication	•	•
Engine speed sensing power control	•	•
Automatic idling system	•	•
Onetouch power boost	•	•
Safety stop/start function	•	•
Adjustable LCD color monitor	•	•
Master electrical disconnect switch	•	•
Engine restart prevention circuit	•	•
Highcapacity halogen lights:	•	•
Frame-mounted 2	•	•
Boom-mounted 1	•	•
Batteries, 2 x 12 V / 200 Ah	•	•
Start motor, 24 V / 5.5 kW	•	•
Hydraulic system		
Hose rupture valve: boom	•	•
Overload warning device	•	•
Automatic sensing hydraulic system	•	•
Summation system	•	•
Boom priority	•	•
Arm priority	•	•
Swing priority	•	•
ECO mode fuel saving technology	•	•
Boom, arm and bucket regeneration valves	•	•
Swing antirebound valves	•	•
Boom and arm holding valves	•	•
Multistage filtering system	•	•
Cylinder cushioning	•	•
Cylinder contamination seals	•	•
Auxiliary hydraulic valve	•	•
Automatic twospeed travel motors	•	•
Hydraulic oil, ISO VG 46	•	•
Frame		
Access way with handrail	•	•
Tool storage area	•	•
Punched metal antislip plates	•	•
Undercover (heavyduty)	•	•
Full height counterweight:		
4950 kg (10910 lb)	•	
6200 kg (13670 lb) - Long Reach	•	
5500 kg (12130 lb)		•
6800 kg (14990 lb) - Long Reach		•
Cab and interior		
ROPS (ISO121172) certified cab	•	•
Silicon oil and rubber mounts with spring	•	•
Travel pedals and hand levers	•	•
Adjustable operator seat and joystick control console	•	•
Control joysticks with 4 switches each	•	•

	EC250E	EC300E
Cab and interior		
Heater & airconditioner, automatic	•	•
Flexible antenna	•	•
Radio with MP3 & USB Jack with bluetooth	•	•
Hydraulic safety lock lever	•	•
Cab, allweather sound suppressed, includes:	•	•
Cup holders	•	•
Door locks	•	•
Tinted glass	•	•
Floor mat	•	•
Horn	•	•
Large storage area	•	•
Pullup type front window	•	•
Removable lower windshield	•	•
Seat belt	•	•
Safety glass	•	•
Sun screens, front, roof, rear	•	•
Rain shield	•	•
Windshield wiper with intermittent feature	•	•
Rear view camera	•	•
Master key	•	•
Undercarriage		
Undercover (heavyduty)	•	•
Hydraulic track adjusters	•	•
Greased and sealed track link	•	•
Track Guard	•	•
Track shoes		
800 mm (32") with triple grousers	•	•
Digging equipment		
Boom: 6.0 m (19'8") monoblock	•	•
Arm: 2.97 m (9'9")	•	•
Boom: 10.2 m (33'6") monoblock, Long Reach	•	•
Arm: 7.85 m (25'9"), Long Reach	•	•
Boom: 6.2 m (20'4") monoblock		•
Arm: 3.05 m (10'0")		•
Boom: 10.2 m (33'6") monoblock, Long Reach		•
Arm: 7.9 m (25'11"), Long Reach		•
Manual centralized lubrication	•	•
OPTIONAL EQUIPMENT		
	EC250E	EC300E
Engine		
Block heater: 120 V, 240 V	•	•
Oil bath pre-cleaner	•	•
Diesel coolant heater, 10 kW	•	•
Water separator with heater	•	•
Auto engine shutdown	•	•
Electric		
Extra work lights(Halogen or LED):	•	•
Cab-mounted 3	•	•
Boom-mounted 1	•	•
Counterweight-mounted 1	•	•
Travel alarm	•	•
Anti-theft system	•	•
Rotating warning beacon	•	•
Hydraulic system		
Hose rupture valve: arm	•	•
Boom float function with HRV	•	•
Boom float function without HRV	•	•
Hydraulic piping:	•	•
Attachment management system		
(up to 18 programmable memories)	•	•

OPTIONAL EQUIPMENT

	EC250E	EC300E
Hydraulic system		
Hammer & shear, 1 and 2 pump flow	•	•
Hammer & shear:		
variable flow and pressure pre-setting	•	•
Additional return filter	•	•
Slope & rotator	•	•
Grapple	•	•
Oil leak (drain) line	•	•
Quick coupler piping	•	•
Volvo hydraulic quick coupler S1	•	•
Volvo hydraulic quick coupler S2	•	•
Volvo hydraulic quick coupler U24	•	•
Volvo hydraulic quick coupler U29		•
Volvo hydraulic quick coupler S70	•	•
Hydraulic oil, biodegradable 46	•	•
Hydraulic oil, longlife oil 32	•	•
Hydraulic oil, longlife oil 46	•	•
Hydraulic oil, longlife oil 68	•	•
Cab and interior		
Fabric seat with heater	•	•
Fabric seat with heater and air suspension	•	•
Opening top hatch	•	•
Falling object guard, FOG (fixed type or hinge type)	•	•
Frame-mounted	•	•
Cab-mounted	•	•
Cab-mounted falling object protective structure (FOPS)	•	•
Side view camera	•	•
Smoker kit (ashtray and lighter)	•	•
Safety net for front window	•	•

	EC250E	EC300E
Cab and interior		
Lower wiper with intermittent control	•	•
Anti-vandalism kit	•	•
Specific key	•	•
Air compressor	•	•
Undercarriage		
Full track guard	•	•
Track shoes		
600/700/800/900 mm (24/28/32/36") with triple grousers	•	•
600 mm (24") HD with triple grousers	•	•
Track shoes 600 mm (24") with double grousers	•	•
Track shoes 700 mm (28") with double grousers	•	•
Digging equipment		
Boom: 6.0 m (19'8") monoblock, heavy duty	•	•
Boom: 10.2 m (33'6") monoblock, long reach	•	•
Arm: 2.5 m (8'2") HD, 2.97 m (9'9") HD, 3.6 m (11'10")	•	•
Arm: 7.85 m (25'9"), long reach	•	•
Boom: 10.2 m (33'6") monoblock, long reach	•	•
Arm: 2.55 m (8'4") HD, 3.05 m (10'0") HD, 3.7 m (12'2")	•	•
Arm: 7.9 m (25'11"), long reach	•	•
Linkage with lifting eye	•	•
Service		
Tool kit, daily maintenance	•	•
Tool kit, full scale	•	•
Automatic lubrication system	•	•

Selection of Volvo optional equipment

LED Lights



Side-view camera



Reversible cooling fan



Long reach and two-piece booms



Swing-out FOG (*for demolition package only) Demolition package



Not all products are available in all markets. Under our policy of continuous improvement, we reserve the right to change specifications and design without prior notice. The illustrations do not necessarily show the standard version of the machine.

VOLVO

Volvo Construction Equipment

volvoce.com