

V O L V O



Volvo Double Drum Compactors 3.1 t / 6,839 lb 49.6 hp

DD30B

Volvo Construction Equipment

DD30B



Power to perform

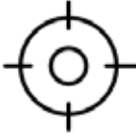
The new Tier 4 Final-compliant engine delivers high performance, without the need to stop for regeneration.



Making the grade

The TwinLock™ traction control and torque transfer system minimizes drum slippage for superior drum control at all speeds, and in both directions.

Compact machine, big performance



Productivity on tap

A rustproof, pressurized, and optional triple filtered water system provides consistent flow to the drum surfaces, reducing asphalt pick-up.



Consistent compaction

Prevent over-compaction with the auto-vibration system, which automatically engages vibration when the machine reaches approximately 2.4 km/h (1.5 mi/h), and disengages when the speed drops below 1.9 km/h (1.2 mi/h).



Roll with the experts

Built on decades of engineering excellence, the machined drums produce a smooth, mark-free mat thanks to their chamfered and rounded edges.



Intuitive operation

Consistent with other Volvo T4F compactors, the easy-to-use side console enables you to fine-tune adjustments while compaction is underway.



Drive your costs down

Cut fuel consumption with the auto-idle option, which reduces the engine speed when controls are inactive for over sixty seconds.



Transportability

For ease of transportation, the foldable ROPS option can be easily collapsed without the need for special tools.



Comfortable and convenient

Stay comfortable in the updated operator's platform, offering a conveniently located cup holder and power port.



Simple serviceability

For ease of maintenance, the hinged engine hood tilts forward, providing ground-level access to the engine and hydraulic components.

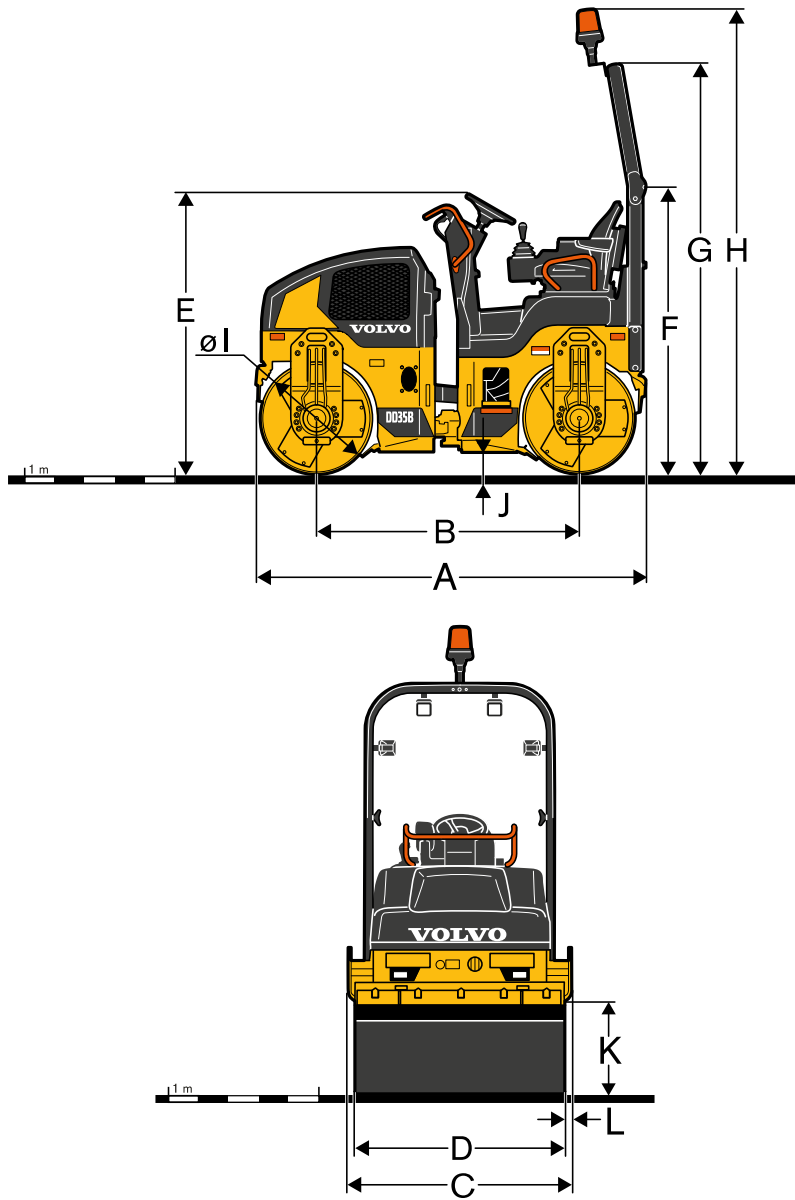


All angles in view

Roll worry-free with an optimally positioned sliding seat and sloping engine hood design, offering 360° visibility.

Specifications

Model			DD30B	
Machine weights (w/ ROPS)				
Operating weight	kg	lb	3,102	6,839
Weight @ front drum	kg	lb	1,411	3,110
Weight @ rear drum	kg	lb	1,695	3,729
Shipping weight	kg	lb	3,000	6,615
Drum				
Width	mm	in	1,250	49.2
Diameter	mm	in	736	29
Shell thickness	mm	in	14	.55
Finish	Machined, chamfered edge			
Vibration				
Frequency	Hz	vpm	66.7	4,000
Nominal amplitude	mm	in	.38	.015
Centrifugal force	kN	lb	33	7,500
Propulsion				
Type	Closed-loop, hydrostatic, parallel circuit			
Drum drive	Pump: axial piston; Motor: radial piston, low speed, high torque			
Travel speed	km/h	mi/h	0 - 10.2	0 - 6.4
Engine				
Make / model	Kubota D1803-CR-TE4B			
Engine type	3-cylinder diesel			
Rated power @ 2,700 r/min	kW	hp	37	49.6
Electrical	12 volts DC, negative ground; 60 A alternator			
Brakes				
Service	Dynamic hydrostatic through propulsion system			
Parking secondary	Spring-applied, hydraulically released (SAHR) on each drum drive			
Water system				
Type	Pressurized			
Nozzles	5 per drum			
Filtration	80 mesh in-line with 100 mesh @ nozzles			
Drum wipers	Spring-loaded, self-adjusting, styrene wipers			
Water tank capacity	l	gal	299	79
Miscellaneous				
Articulation angle	°		+ / - 30°	
Oscillation angle	°		+ / - 10°	
Inside turning radius (to drum edge)	mm	in	2,592	102
Fuel tank capacity	l	gal	66	17.4
Hydraulic oil capacity	l	gal	85	22.4
Gradeability (theoretical)	%		46	
Guaranteed Sound Level				
Operator's Ear, acc. to ISO 11203:2009	L _{PA} dB(A)		88	
External, acc. to Directive 2000/14/EC	L _{WA} dB(A)		106	



Dimensions	DD30B	
	mm	in
A	2,566	101.0
B	2,661	104.8
C	1,363	53.7
D	1,250	49.2
E	2,662	104.8
F	2,527	99.5
G	1,826	71.9
H	1,975	77.8
I	1,725	67.9
J	14	0.6
K	736	29.0
L	606	23.9
M	57	2.2

Equipment

STANDARD EQUIPMENT

Engine

Battery Disconnect Switch
US EPA T4F compliant engine

Operator Environment

Open ROPS
Sliding operator seat
Seat switch with timer delay
Cup holder
Anti-slip floor
Seat belt
Seat belt alarm
12 volt power point

Vibration and drum system

Single speed vibration
Selectable vibration: front, both
TwinLock™ anti-slip system

Electrics and electronics

Easily accessible fuses and relays
Permanent fuel level display
Permanent water level indicator
Information display:
-Fluid temperatures
-Engine speed
-Vehicle speed
Emergency stop button

Other

Hand servicable spray nozzles
Adjustable spray flow rate
„Racetrack“ maintenance decal

OPTIONAL EQUIPMENT

Engine

Auto Idle

Operator Environment

Foldable arch-ROPS
Open ROPS/FOPS canopy
Mirror
Steering knob
Vandal cover

Vibration and drum system

Inside scraper- styrene
Inside scraper- urethane
Edge compactor

Electrics and electronics

Work lights
Strobe lights
Rotating Beacon
Backup alarm
Anti-theft
Engine oil pressure display
Caretrack

Water system

Cocoa mats installation
Water Strainer

Other

Lifetime Frame Guarantee
Bio-degradable oil
Special Paint
Hydraulic test ports
ROPS ship loose
License Plate



V O L V O