

Volvo Construction Equipment
Building Tomorrow



P5110B, P5170B

Volvo Tracked And Wheeled Pavers 2.4-5.5 m / 8-18 ft 129 kW / 173 hp



WELCOME TO OUR WORLD

Welcome to a world of industry leading machinery. A world where imagination, hard work and technological innovation will lead the way towards developing a future which is cleaner, smarter, and more connected. A world supported by the enduring values of the Volvo Group. A world of stability, sustainability and innovation. A world which we put our customers at the heart of.

Welcome to the world of Volvo Construction Equipment – we think you're going to like it here.

Blaw-Knox

NOTICE

Apply Blaw-Knox® only onto all surfaces of the rubber track and all other track frame components.

Do not apply Blaw-Knox® to metal surfaces with direct sun.

The road to success

Our range of road machinery combines the heritage of the Blaw Knox, Ingersoll Rand and ABG brands with the engineering excellence of Volvo. The result is a line-up of Volvo pavers and compactors which achieve an unrivalled level of quality, in both paving and compaction applications.

Building on our proud history, we continue to innovate our products to offer customers the best solutions for their operation. Our Compact Assist and Pave Assist products are just two examples of how we are developing intelligent solutions to ensure our machines deliver world-class performance and results long into the future.

Solutions for you



Our industry leading machines are just the start of your relationship with Volvo. As your partner, we have developed an extensive range of additional solutions to help you improve uptime, boost productivity and reduce costs.

Designed for your business

Structured across nine blocks, our portfolio of products and services are designed to complement your machine's performance and boost your profitability. Simply put, we offer some of the best guarantees, warranties and technological solutions in the industry today.

There when you need us

Whether you're buying new or used, our global network of dealers and technicians offer around-the-clock support, including machine monitoring and world-class parts availability. It's the basis of everything offered by Volvo Services, so you can be confident we've got you covered right from the start.



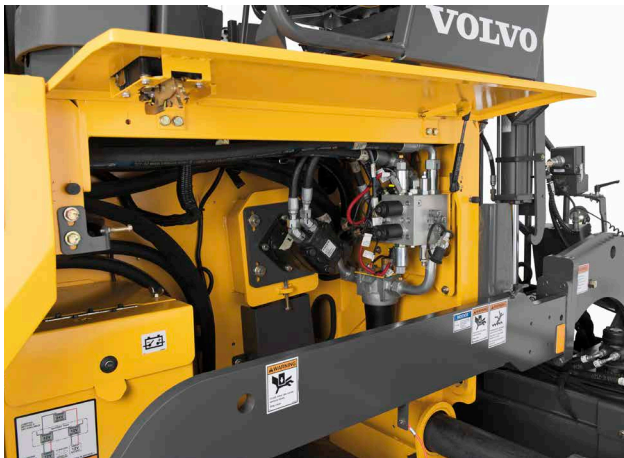
BUILDING TOMORROW

Dependability

Designed and manufactured at Volvo's factory in Pennsylvania and incorporating all the experience of its Blaw-Knox heritage, the P5110B and P5170B pavers have proven their reliability on American jobsites over multiple paving seasons. Teamed up with the UltiMat160 screed, these easy-to-maintain machines deliver high quality mat performance and low total cost of ownership on a wide variety of demanding applications.

Ground level access

With simple serviceability, the P5110B and P5170B take the hassle out of daily checks and routine service. Large opening doors and panels offer ground level access to checkpoints, engine and hydraulic filters as well as main components. The fuel and DEF fills are also performed from ground level.



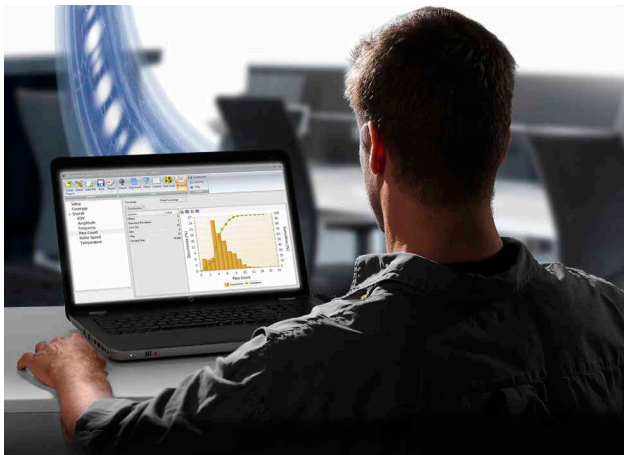
Volvo Engine

The Volvo D6 Tier 4 Final engine is found in many other Volvo models, with its proven reliability delivering high power at low engine speed. Engine speed is automatically adjusted to the paver application, lowering noise levels and fuel consumption, while delivering consistently high paving performance.



Access machine data from anywhere

With Volvo's optional CareTrack® telematics system, remotely access an array of important paver data including geolocation, and proactively manage service and maintenance to maximize uptime. Stay connected to your machines via remote machine monitoring, meaning you're better equipped to run your machines safely and efficiently, and able to predict potential issues before they arise.



ActiveCare Direct

Using CareTrack® — the Volvo telematics system — thousands of machine data points are captured and sent to the Volvo Uptime Center in Shippensburg, Pennsylvania, where a team of data analysts and a proprietary system monitors and analyzes machine health in real time. With this option, you'll receive a monthly fleet utilization report to help identify opportunities to improve worksite efficiency.





PROVEN AND TESTED DESIGN

The P5110B and P5170B pavers have proven their reliability on American jobsites over multiple paving seasons. Customer feedback, innovation and half a century of paver manufacturing experience is built into every Volvo paver.



VERSATILE SCREED LAYS IT DOWN EASY

The UltiMat160 screed features extensions that can be adjusted hydraulically, anywhere from 8 ft up to 16 ft. Rapid adjustability of paving width makes it easy to work around obstacles. Its front mounted extensions enable effortless head-of-material control in the auger channel, resulting in excellent mat quality on every job.

Agility

High production and quality finished mats are all in a day's work for the P5110B and P5170B pavers. Rapid adjustability of paving width makes it easy to work around obstacles, and its solid construction ensures that it can tackle heavy commercial and light highway jobs in its stride.

Maneuverability

A compact machine with a tight turning radius, the P5110B and P5170B can be precisely positioned and follow tight curves easily.



Ease of movement

A fast travel speed and modest size means that driving the P5110B and P5170B pavers between jobs, or transporting by truck from site to site, is fast and economical.



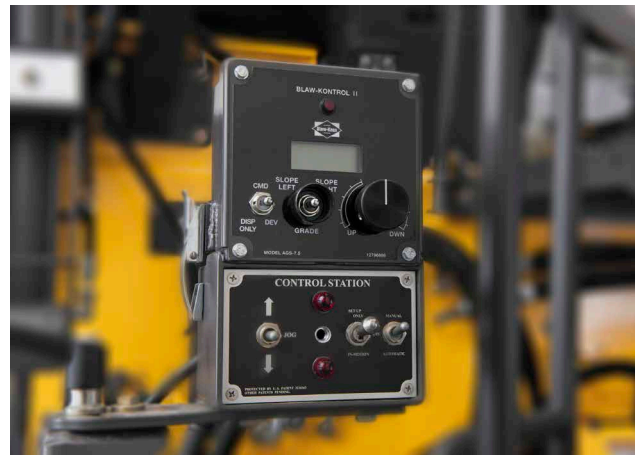
Tailored by you

A wide range of options is available, from powered extending tunnels and flow gates, to radiator debris screens, LED work lights and bolt-on screed extensions. Every paver can be specified to meet the task at hand.



Tech ready

The paver is prewired to plug-and-play, so upgrading to an automatic grade and slope system is easy, either using Volvo's Blaw-Kontrol system or other industry solution.

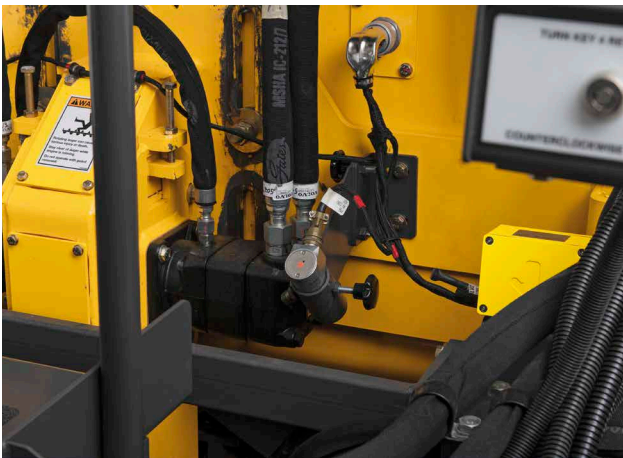


Straightforward

Marrying the best of proven technology with the latest in design, the P5110B and P5170B pavers are the ideal partners for both veteran operators and the next generation of road crews. Laying a high-quality mat couldn't be easier, with simple controls and behind-the-scenes technology allowing operators to concentrate on the material flow and the road ahead, while sensors and systems take care of business below.

Material flow system

Sonic sensors automatically regulate the speed of augers and conveyors, matching the paver's speed and providing a consistent head-of-material – helping to deliver the highest quality smooth finished mat with minimal operator input.



Primed and ready

Getting ready for paving couldn't be easier. A priming function raises the engine speed, runs the conveyors and augers and provides material to the screed – all ready to start paving. An automatic screed heating system also ensures a consistent screed temperature is maintained.



Screed lock

A screed lock function holds the screed rigidly in place until new material is delivered, meaning that paving begins again exactly where it left off – avoiding marks or bumps in the mat when there are pauses in material flow.



Back to school

Maximize paver performance and learn to recognize and correct paving problems, with crew training from the experts at the industry-acclaimed Road Institute.





A PARTNER THAT'S EASY TO GET ALONG WITH

Combining proven technology and excellent all-round visibility, the P5110B and P5170B pavers are the ideal partner for veteran operators and the next generation of road crews. Paving controls are intuitively grouped by function and backlit for easy identification in all light conditions.



A DEMANDING JOB NEEDN'T BE UNCOMFORTABLE

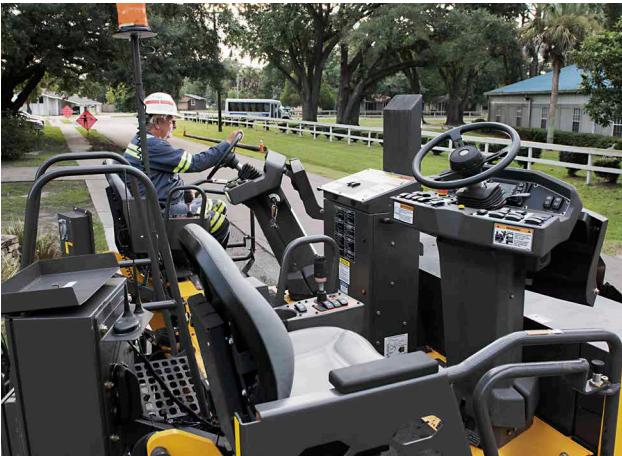
Operator seats and consoles are adjustable for comfort and to optimize the view of the entire work area. A flat deck and anti-slip surfaces help keep things safe when moving around on the paver.

Just relax

Equipped with seats that can be extended beyond the edge of the paver and an unobstructed work-area view from hopper, to auger tunnel, to end gates – the operator has an excellent view of material flow for ultimate paving quality.

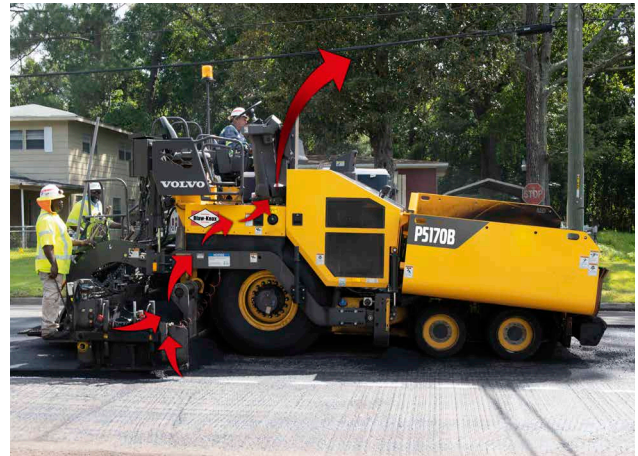
Operator station

The low operator platform enables easy crew communication across the deck, with two consoles allowing the paver to be operated from either left or right side of the machine. Paving controls are conveniently grouped, and color coded by function, and the seat and console are fully adjustable for comfort and an excellent view of the entire work area. Safety is paramount, with a flat anti-slip deck, a wide stairwell and conveniently placed handrails.



Fume extraction system

Volvo's SmokEater fumes extraction system effectively collects and disposes of smoke and fumes from the auger area.



No need to call security

Doors and panels are lockable and interior components protected, while also providing convenient storage for tools and belongings.



Cool under pressure

Effective engine compartment airflow directs heat away from the operator, while a footrest provides additional comfort and the optional umbrella protects operators from the glare of the sun.



P5110B tracked paver

PROVEN AND TESTED DESIGN

Built by experts – with expert customer input – delivering proven reliability on American jobsites.

Operator station

Operator seats and consoles are adjustable for comfort and to optimize the view of the work area. Paving controls are grouped by function and backlit for easy identification in all light conditions.

Built to last

Durable rolled hopper wings help prevent material build-up and reduce clean up, while the large hopper is generously sized for continuous paving.

Automatic track tensioner

The automatic track tensioning system ensures optimal track tension for performance and long life.

Operator friendly

Simple controls and behind-the-scenes technology allows operators to concentrate on the material flow and the road ahead.



Road institute

The Volvo Road Institute has been teaching paving crews and technicians how to operate and service asphalt pavers since 1965.

Ground level access

Most daily service and maintenance checks can be made quickly, safely and easily from ground level.



Sensor feed system

Sonic sensors automatically regulate the flow and delivery of material for smooth paving.

Volvo Engine

The proven Volvo D6 Tier 4 Final engine is tailored to the needs of the paver, lowering noise, vibration and fuel consumption without affecting paving performance.

CareTrack

An array of important paver data can be accessed remotely, thanks to Volvo's CareTrack telematics system.

VERSATILE SCREED

UltiMat 160 screed with front mounted extensions gives you the best paving quality, uniformity and smoothness. Add or remove extensions in minutes thanks to Volvo's quick coupling system.

P5170B wheeled paver

PROVEN AND TESTED DESIGN

Built by experts – with expert customer input – delivering proven reliability on American jobsites.

Operator station

Operator seats and consoles are adjustable for comfort and to optimize the view of the work area. Paving controls are grouped by function and backlit for easy identification in all light conditions.

Built to last

Durable rolled hopper wings help prevent material build-up and reduce clean up, while the large hopper is generously sized for continuous paving.

Front wheel assist

Optional front two-wheel or four-wheel assist is available to improve the tractive effort and gradeability.

Operator friendly

Simple controls and behind-the-scenes technology allows operators to concentrate on the material flow and the road ahead.



Road institute

The Volvo Road Institute has been teaching paving crews and technicians how to operate and service asphalt pavers since 1965.

Ground level access

Most daily service and maintenance checks can be made quickly, safely and easily from ground level.



Volvo Engine

The proven Volvo D6 Tier 4 Final engine is tailored to the needs of the paver, lowering noise, vibration and fuel consumption without affecting paving performance.

CareTrack

An array of important paver data can be accessed remotely, thanks to Volvo's CareTrack telematics system.

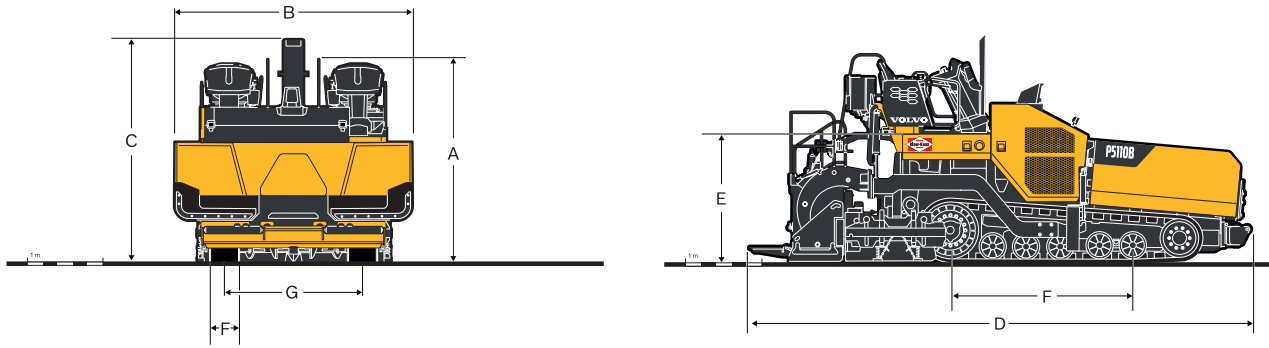
Sensor feed system

Sonic sensors automatically regulate the flow and delivery of material for smooth paving.

VERSATILE SCREED

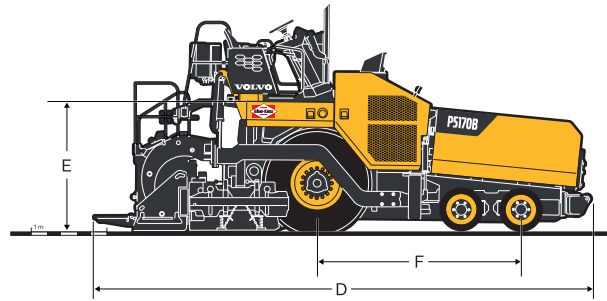
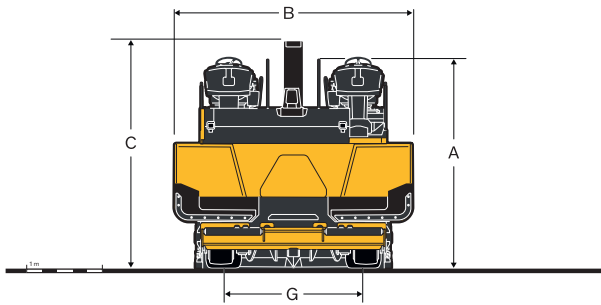
UltiMat 160 screed with front mounted extensions gives you the best paving quality, uniformity and smoothness. Add or remove extensions in minutes thanks to Volvo's quick coupling system.

Specifications P5110B Tracked Paver



Model			P5110B	
Machine Dimensions				
Basic Screed Width	m	ft	2.5	8'
Max Paving Width	m	ft	5.5	18'
Paving Depth	mm	in	6 - 229	0.25" - 9"
B Shipping Width w/ Endgates (Hoppers Up)	mm	in	2,756	108.5"
Shipping Width w/o Endgates (Hoppers Up)	mm	in	2,532	100"
B Operating Width (Hoppers Down)	mm	in	3,193	126"
C Operating Height / Shipping Height	m	ft	3.0	9' 11"
A Railing Height	mm	in	2,781	109.5"
E Deck Height	mm	in	1,715	67.5"
D Operating Length	m	ft	6.6	21' 9"
Shipping Length (Screed down)	m	ft	6.3	20' 7"
Hopper Length	mm	in	2,057	81"
Truck Clearance Width (Hoppers down)	mm	in	3,048	120"
Auger Diameter	mm	in	406	16"
Adjustable Height Augers (from ground)	mm	in	68 - 229	3" - 9"
G Gauge - Track	mm	in	1,863	73"
Ramp Loading Angle	°	°	12	12
Weights				
Shipping Weight Of Tractor Only	kg	lb	15,900	34,950
with UltiMat 160 screed	kg	lb	18,800	41,350
Suspension				
Description	Continuous rubber track with tandem bogie system			
F Track length on Ground (center to center)	mm	in	3,035	120"
H Track Width	mm	in	406	16"
Engine				
Make / Model	Volvo D6J / EPA Tier 4 final			
Rated Power @ 2,000 r/min	kW	hp	129	173
Propulsion				
Description	2-speed drive motors, single speed planetary			
Traction Drive	Hydrostatic direct drive			
Paving Speed	m/min	ft/min	0 - 59	0 - 195
Travel Speed	km/h	mi/h	0 - 13.5	0 - 8.4
Miscellaneous				
Fuel Tank Capacity	l	gal	246	65
DEF Tank Capacity	l	gal	21	5.5
Hydraulic Tank Capacity	l	gal	95	25.1
Cooling Capacity	l	gal	27	7.1
Hopper Capacity (includes tunnel)	t / m ³	T / cu ft	11/6.4	12/225

Specifications P5170B Wheeled Paver



Model			P5170B	
Machine Dimensions (subject to change without notice)				
Basic Screed Width	m	ft	2.5	8'
Max Paving Width	m	ft	5.5	18'
Paving Depth	mm	in	6 - 254	0.25" - 10"
B Shipping Width with endgates (Hoppers Up)	mm	in	2,756	108.5"
Shipping Width without endgates (Hoppers Up)	mm	in	2,532	100"
B Operating Width (Hoppers Down)	mm	in	3,193	126"
C Operating Height / Shipping Height	m	ft	3.0	9' 11"
A Railing Height	mm	in	2,804	110.4"
E Deck Height	mm	in	1,739	68.4"
D Operating Length	m	ft	6.6	21' 9"
Shipping Length (screed down)	m	ft	6.3	20' 7"
Hopper Length	mm	in	2,057	81"
Truck Clearance Width (Hoppers down)	mm	in	3,048	120"
Auger Diameter	mm	in	406	16"
Adjustable Height Augers (from ground)	mm	in	51 - 229	2" - 9"
G Gauge - Wheel	mm	in	1,879	74"
Ramp Loading Angle		°	12	
Weights				
Shipping Weight Of Tractor Only	kg	lb	14,900	32,800
with UltiMat 160 screed	kg	lb	17,800	39,200
Suspension				
Description			2- Drive wheels, 4-front bogies	
			Optional Front Wheel Assist (2 or 4 wheel)	
F Wheelbase	mm	in	2,729	107"
Drive Tire Size		in	16-24 16-ply	
Front Wheel Size		in	23" OD x 13.3 Wide	
Engine				
Make / Emissions level			Volvo D6J / EPA Tier 4 Final	
Rated Power @ 2,000 r/min	kW	hp	129	173
Propulsion				
Description			2-speed drive motors, single speed planetary	
Traction Drive			Hydrostatic direct drive	
Paving Speed	m/min	ft/min	0 - 73	0 - 240
Travel Speed	km/h	mi/h	0 - 18	0 - 11
Miscellaneous				
Fuel Tank Capacity	l	gal	246	65
DEF Tank Capacity	l	gal	21	5.5
Hydraulic Tank Capacity	l	gal	95	25.1
Cooling Capacity	l	gal	27	7.1
Hopper Capacity (includes tunnel)	t / m ³	T / cu ft	11/6.4	12/225
Turning radius (minimum)	mm	in	2,000	79"

Screed specifications

UltiMat 160



SCREED SPECIFICATIONS

Matched to your application. Gain an advantage with the versatility of Volvo screeds.

Model	UltiMat 160			
	Front-mounted extensions			
Vibration / Tamping System	Vibratory			
Basic Screed Width	m	ft	2.5	8'
Standard Paving Width	m	ft	2.5 - 4.9	8' - 16'
Max Paving Width	m	ft	5.5	18'
Paving Depth	mm	in	6 - 254	0.25" - 10"
Screed Plate Depth - Main	mm	in	724	28.5"
Screed Plate Depth - Extensions	mm	in	216	8.5"
Screed Weight	kg	lb	2,900	6,400
Vibratory Speed	Hz	r/min	17 - 42	1,200 - 2,500
Multiple bolt-on extensions available				Yes
Tapered joint extensions available				Yes
Screed remote control unit available				Yes
Screed Heat Type				Electric

Equipment

STANDARD EQUIPMENT

	P5110B	P5170B
4-sensor feed system	•	•
Adaptive Engine Speed Control	•	•
Adjustable screed tow arms	•	•
Automatic auger / conveyor Prime Mode	•	•
Automatic track tensioning	•	–
Battery disconnect switch	•	•
Color functions display with speed limiter	•	•
Console gauge package	•	•
Console switches backlighting	•	•
Cup holders	•	•
Dual operator consoles with vandal covers	•	•
Dual screed control consoles	•	•
Emergency stop switches	•	•
Extensive hand-rails for deck and steps	•	•
Grade and slope control ready	•	•
Ground level DEF fill with locking cover	•	•
Ground level fuel fill with lockable cap	•	•
Hopper locks	•	•
Hydraulic auger height adjustment	•	•
Independent augers and conveyors	•	•
Interchangeable drop in floor plates	•	•
Low fuel alarm	•	•
Maintenance-free bearings in the material flow system	•	•
Manually tensioned conveyors	•	•
Outboard conveyor drive motors	•	•
Side extendable, rotating seats	•	•
SmokEater Fumes Extraction	•	•
Smooth drive tracks	•	–
Tivar® polymer spill guards	•	•
Volvo D6 Tier 4 Final engine	•	•

OPTIONAL EQUIPMENT

	P5110B	P5170B
Auger Kit, 2 ft. Extension / 10 ft. Paving Width	•	•
Auger Kit, 1.2 m / 4 ft Extension / 3.7 m / 12 ft Paving Width	•	•
Auger Kit, 1.8 m / 6 ft Extension / 4.9 m / 16 ft Paving Width	•	•
Auger Reverse Function	•	•

OPTIONAL EQUIPMENT

	P5110B	P5170B
Backup Alarm	•	•
Balloon Lights	•	•
Blaw Kontrol, Mechanical and Sonic	•	•
Caretrack telematics	•	•
Chain Curtains	•	•
Conveyor Reverse Function	•	•
Engine Automatic Shutdown	•	•
Custom Paint	•	•
Emergency Drive Control	•	•
Flow Gates, Powered	•	•
Front Bogie Wheels, 0WD, 2WD or 4WD	–	•
Generator, 18 kW or 27kW	•	•
Hopper Extensions	•	•
Jumper Cable Studs, Remote LH	•	•
Louvers, LH Door	•	•
Material Indicator	•	•
Mechanical Averaging Ski , 9.1 m / 30 ft	•	•
Operator's Manual, French or Spanish	•	•
Plow, Track or Wheel	•	•
Power Extending Tunnels, 0.81 m / 32 in	•	•
Power Outlet Box, 3 Receptacle	•	•
Push Roller	•	•
Radiator Debris Screen	•	•
Screed Assist, 3 Function	•	•
Screed, Bolt-on Extensions and cut-off plates	•	•
Screed, Depth Cranks, ACME or Ball	•	•
Screed, Heated End Gates	•	•
Screed, Extension Remote Control	•	•
Screed, UltiMat 160, Standard or with 457 mm / 18 in berm	•	•
Service Analyzer Connection Kit	•	•
2-sensor feed system	•	•
Strobe Light	•	•
Tow Point Indicator	•	•
Truck Hitch, powered	•	•
Umbrella, Tractor Operator	•	•
Wash-down System, Basic or Deluxe	•	•
Worklights, Auger, LED	•	•
Worklights, Front and Rear LED	•	•

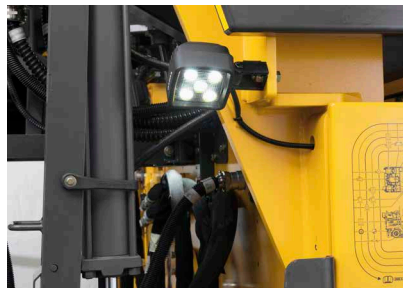
Tivar® is a registered trademark of the Quadrant group of companies.

SELECTION OF VOLVO OPTIONAL EQUIPMENT

Powered extending tunnels



Auger work lights LED



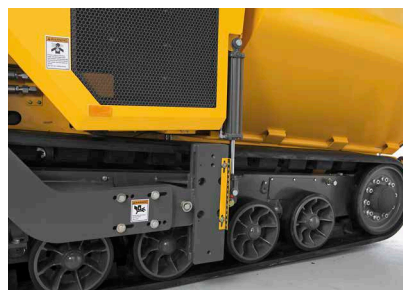
Flow gates, powered



Radiator debris screen



Tow point indicator



Plow, track or wheel



Not all products are available in all markets. Under our policy of continuous improvement, we reserve the right to change specifications and design without prior notice. The illustrations do not necessarily show the standard version of the machine.

VOLVO

Volvo Construction Equipment

volvoce.com