

V O L V O



Volvo Wheeled Paver 6.0 m 88 kW

P4370B

Volvo Construction Equipment



Welcome to our world

Welcome to a world of industry leading machinery. A world where imagination, hard work and technological innovation will lead the way towards developing a future which is cleaner, smarter, and more connected. A world supported by the enduring values of the Volvo Group. A world of stability, sustainability and innovation. A world which we put our customers at the heart of.

Welcome to the world of Volvo Construction Equipment – we think you're going to like it here.

The road to success

Our range of road machinery combines the heritage of the Ingersoll Rand and ABG brands with the engineering excellence of Volvo. The result is a line-up of Volvo pavers and compactors which achieve an unrivalled level of quality, in both paving and compaction applications.

Building on our proud history, we continue to innovate our products to offer customers the best solutions for their operation. Our Compact Assist and Pave Assist products are just two examples of how we are developing intelligent solutions to ensure our machines deliver world-class performance and results long into the future.



Solutions for you

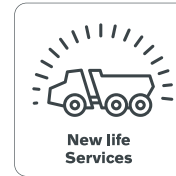
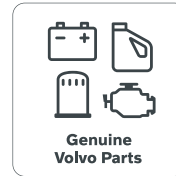
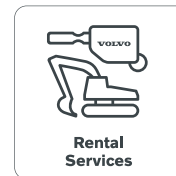
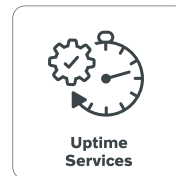
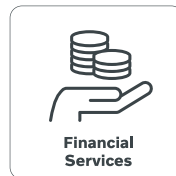
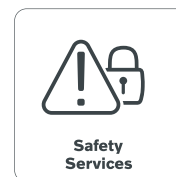
Our industry leading machines are just the start of your relationship with Volvo. As your partner, we have developed an extensive range of additional solutions to help you improve uptime, boost productivity and reduce costs.

Designed for your business

Structured across nine blocks, our portfolio of products and services are designed to complement your machine's performance and boost your profitability. Simply put, we offer some of the best guarantees, warranties and technological solutions in the industry today.

There when you need us

Whether you're buying new or used, our global network of dealers and technicians offer around-the-clock support, including machine monitoring and world-class parts availability. It's the basis of everything offered by Volvo Services, so you can be confident we've got you covered right from the start.



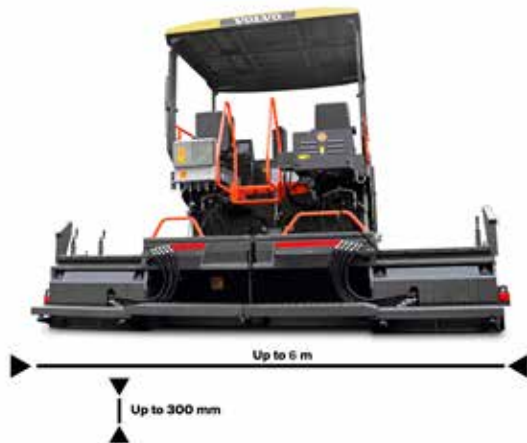
BUILDING TOMORROW

Pave with power & performance

The Volvo P4370B is the ideal machine for all highway, commercial and utility paving applications. It's Volvo through and through, from the engine to components to the entire machine. This means it delivers Volvo reliability, along with comfort, safety and exceptional visibility of all aspects of each application. One machine, one warranty – your solution: Volvo.

Volvo Omni V screed

Proven, variable width design employs on-the-go operation. The powerful, single tamping bar and a vibration system delivers high precompaction density. A mechanical crown adjustment flexes the screed plate +/- 3 degrees. The hydraulically driven 20KVA generator supports electrical heating of the main screed and screed extensions. The electrical system provides uniform heat for a smooth mat finish, with quality precompaction.



Volvo designed hydraulic systems

The hydraulic systems are matched to focus the paver on delivering a consistently level and consistently smooth mat. All heavy duty components are designed to complement each other to perform under the toughest conditions.



Heavy duty sealed bearings

Every bearing of the material handling system are specially designed with multi-level seals. Protection to reduce maintenance repair costs.



Wear resistant features

The P4370B paver material handling system design incorporates special hardness and extra thick, wear resistant components. The conveyor floor plates, screed plates, auger flight and double bushing conveyor chains all deliver long life while resisting wear from any abrasive lay down material.





COMFORT & VISIBILITY

The comfortable seating position puts the operator safely in complete command of the entire paving operation. Excellent visibility to the hopper, material delivery truck, auger area, material flow, screed and final mat. Ergonomically positioned controls on the central control panel slide to both machine sides. Handrails permit safe movement around machine platforms.

Patented hydraulic load level suspension

Volvo-patented system provides uniform, three-point contact pressure on wheels when operating on uneven surfaces. Front wheels feature independent auto leveling, to minimize shock load and maintain uniform ground contact over the complete tire width. System stabilizes the overall machine to improve screed performance. Improves: tractive effort, steering performance and paving smoothness on uneven conditions.



Volvo Power

A genuine Volvo paver from hopper to screed. Provides customer the time saving benefit of an all-in-one solution. The best in class power of the Volvo D5 engine delivers performance to easily push trucks and pull the Volvo screed of widths up to 6.0 meters. All this power delivered at low noise level and low fuel consumption.



Profitability in view

Volvo Power

Environmentally-friendly Volvo engine delivers best-in-class 88 kW (118 hp) performance along with quiet, fuel-efficient operation. Capable to push 25-ton trucks. One stop support center from your local Volvo dealer.

Volvo designed hydraulic systems

Hydraulics perfectly matched to all Volvo components, from engine to screed to hopper providing long life, less maintenance and high-traction performance. The trouble-free, load-sensing system is powered by a variable-displacement axial piston pump.

Patented hydraulic load level suspension

Volvo-patented system with independent auto leveling minimizes shock load while providing constant ground contact in uneven ground conditions.

Optional front wheel assist

As an option, the paver can be equipped with two additional drive bogies, providing added tractive effort when required.

Adjustable height and reversing auger

Ability to adjust auger height to improve material transfer and flow. Reversing the auger improves material control and reduces hand labor.

Operator friendly controls

Proven, adjustable operator control from a position that offers excellent visibility, ergonomic operation and operator-adjustable seating comfort.

Volvo Omni V screed

Using hydraulic telescoping cylinders the screed features on-the-go width changes from 2.5 to 4.75 m. Features both tamping bar and vibration for high compaction off the screed. This heavy screed delivers a high quality, consistent mat.

Automatic conveyor auger control

Paddle switches provide on-off control of the conveyor and auger, helping to provide uniform and consistent control of the material.

Crown adjustment

Flex the heavy-duty screed plate +/- 3 degrees using the mechanical crown adjustment, easily obtaining road crowns and drainage profiles.

Heavy duty sealed bearings

Every bearing of the material handling system are specially designed with multi-level protection to reduce maintenance repair costs.

Automation

Paver's electrical system will accept most major leveling systems.



Comfort & visibility

Operate safely, in complete command with visibility to the hopper, material delivery truck, auger area, material flow, screed and final mat.

Foldable sunshade

All-weather sunshade with wide open sides, provides good operator visibility and reduced fatigue for increased safety and productivity.

Safe access

Handrails and all-weather grip walk areas permit safe movement around all machine platforms.



Your serviceability & support

Rely on your local Volvo dealer for all the support services you need. They've got the parts, service and support to help you do more and make more profit on each job.



Support services

And with Volvo, your local dealer is always there for you, backing each and every machine with genuine Volvo parts and trained, expert service support. With solutions for all your paving jobs, Volvo helps you improve your owning and operating costs.

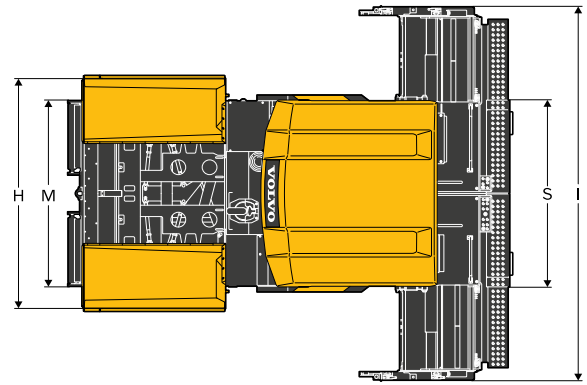
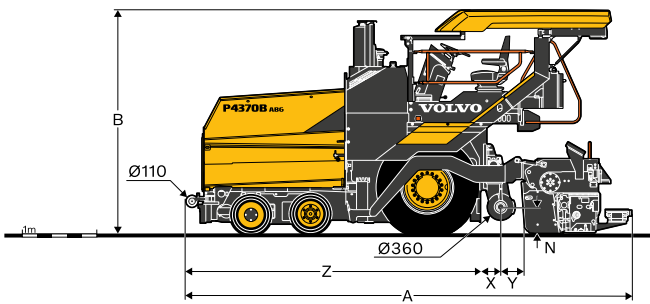
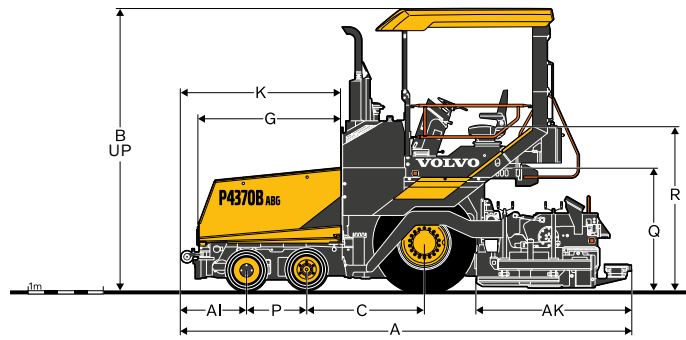


YOUR ACCESS TO SERVICEABILITY

Easy, safe access with no difficult climbing around the machine. Engine and all major hydraulic components are easily accessible from all sides. Designed for fast, open access to grease points, oil drains and other routine maintenance areas. Faster intervals minimize operating costs and increase machine availability.

Specifications

| Capacity and weight | | |
|--|-------|--|
| Weight with Omni V screed at 6.0 m | kg | 17 000 |
| Hopper capacity | t | 12 |
| Fuel tank capacity | l | 230 |
| Hydraulic tank capacity | l | 165 |
| Engine | | |
| Make | | Volvo |
| Model | | D5 |
| Rated power at 2300 rpm | kW | 88 |
| | hp | 118 |
| Laydown rate (theoretical) | t/h | 600 (practical rate of laydown varies with paving material and paving width) |
| Paving thickness | mm | 300 |
| Hydrostatic drive system | | |
| Front wheel - steering | mm | (2) 580 dia. Solid rubber tire |
| Rear wheel - propulsion | | (2) 14 x 25 - 20 PR. Off the road tires |
| Speed - Transport | km/h | 14 (max) |
| Paving | m/min | 45 (max) |
| Conveying system | | |
| Four independent hydrostatic drives for conveyer and augers, with automatic material flow control | | |
| Screed system | | |
| Omni V, hydraulically extendable from 2.5 m to 4.75 m, add on segments 6.0 m paving width | | |
| Screed heating | | |
| Hydraulically driven 20 KVA Generator for Electrically heating main and screed extensions | | |
| Auger system | | |
| Large diameter auger with engineered auger box for smooth material spread with reduced segregation for full width paving, adjustable auger height, and reversible auger system | | |
| Brake system | | |
| Service brake | | hydrostatic |
| Parking brake | | Spring applied hydraulically released (SAHR) |
| Options | | |
| (2) additional drive bogies | | |
| Leveling system - grade and slope | | |
| Sonic grade sensors | | |
| Screed extensions for 6.0 m | | |
| Heavy duty Conveyor Kit for WMM paving | | |
| Conveyor Guard Plate kit | | |
| Low front apron | | |
| Beacon lights | | |
| Auger ultrasonic material control | | |
| Wax Coating | | |



DIMENSIONS

| | | |
|--------|----|---------|
| A | mm | 5 933 |
| B Up | mm | 3 732 |
| B Down | mm | 2 996 |
| C | mm | 1 570 |
| G | mm | 1 912 |
| H | mm | 3 091 |
| I | mm | 5 012 |
| K | mm | 2 130 |
| M | mm | 2 495 |
| N | mm | 350+-60 |
| P | mm | 800 |
| Q | mm | 1 605 |
| R | mm | 2 161 |
| S | mm | 2 502 |
| X | mm | 267 |
| Y | mm | 318 |
| Z | mm | 3 940 |
| Al | mm | 875 |
| AK | mm | 2 016 |

Not all products are available in all markets. Under our policy of continuous improvement, we reserve the right to change specifications and design without prior notice. The illustrations do not necessarily show the standard version of the machine.

V O L V O