



Volvo Construction Equipment

ABG7820B, ABG8820B

Volvo Tracked Pavers 2.5 m - 13 m 182 kW



A passion for performance

At Volvo Construction Equipment, we're not just coming along for the ride. Developing products and services that raise productivity – we are confident we can lower costs and increase profits for industry experts. Part of the Volvo Group, we are passionate about innovative solutions to help you work smarter – not harder.

Helping you to do more.

Doing more with less is a trademark of Volvo Construction Equipment. High productivity has long been married to low energy consumption, ease of use and durability. When it comes to lowering life-cycle costs, Volvo is in a class of its own.

Designed to fit your needs.

There is a lot riding on creating solutions that are suited to the particular needs of different industry applications. Innovation often involves high technology – but it doesn't always have to. Some of our best ideas have been simple, based on a clear and deep understanding of our customers' working lives.



You learn a lot in 180 years.

Over the years, Volvo has advanced solutions that have revolutionized the use of construction equipment. No other name speaks Safety louder than Volvo. Protecting operators, those around them and minimizing our environmental impact are traditional values that continue to shape our product design philosophy.

We're on your side.

We back the Volvo brand with the best people. Volvo is truly a global enterprise, one that is on standby to support customers quickly and efficiently – wherever they are.

We have a passion for performance.



Volvo Trucks



Renault Trucks



Mack Trucks



UD Trucks



Volvo Buses



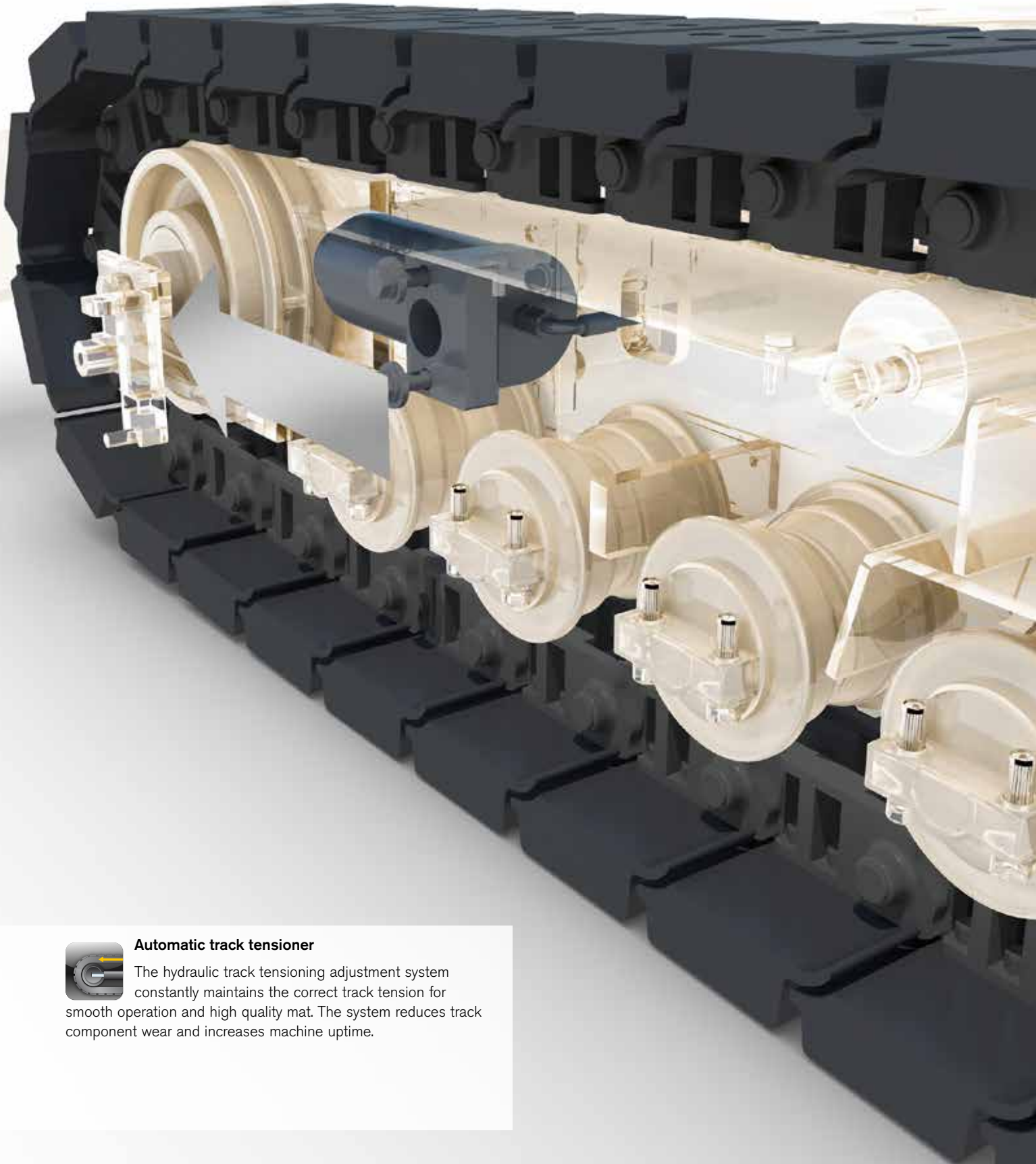
Volvo Construction Equipment



Volvo Penta



Volvo Financial Services



Automatic track tensioner

The hydraulic track tensioning adjustment system constantly maintains the correct track tension for smooth operation and high quality mat. The system reduces track component wear and increases machine uptime.

Power and precision

If you're looking for a powerful and efficient paver then look no further than the ABG7820B / ABG8820B. Designed and built 100% by Volvo, the machine combines proven technology and innovative engineering to deliver superior mat quality, uniformity and smoothness. Boost your paving power and experience enhanced engine performance and greater fuel economy with Volvo.



Travel drives

The electronically controlled travel drive ensures uniform propulsion, accurate straight travel, exact cornering and soft starts; all of which are prerequisites for a smooth quality mat.

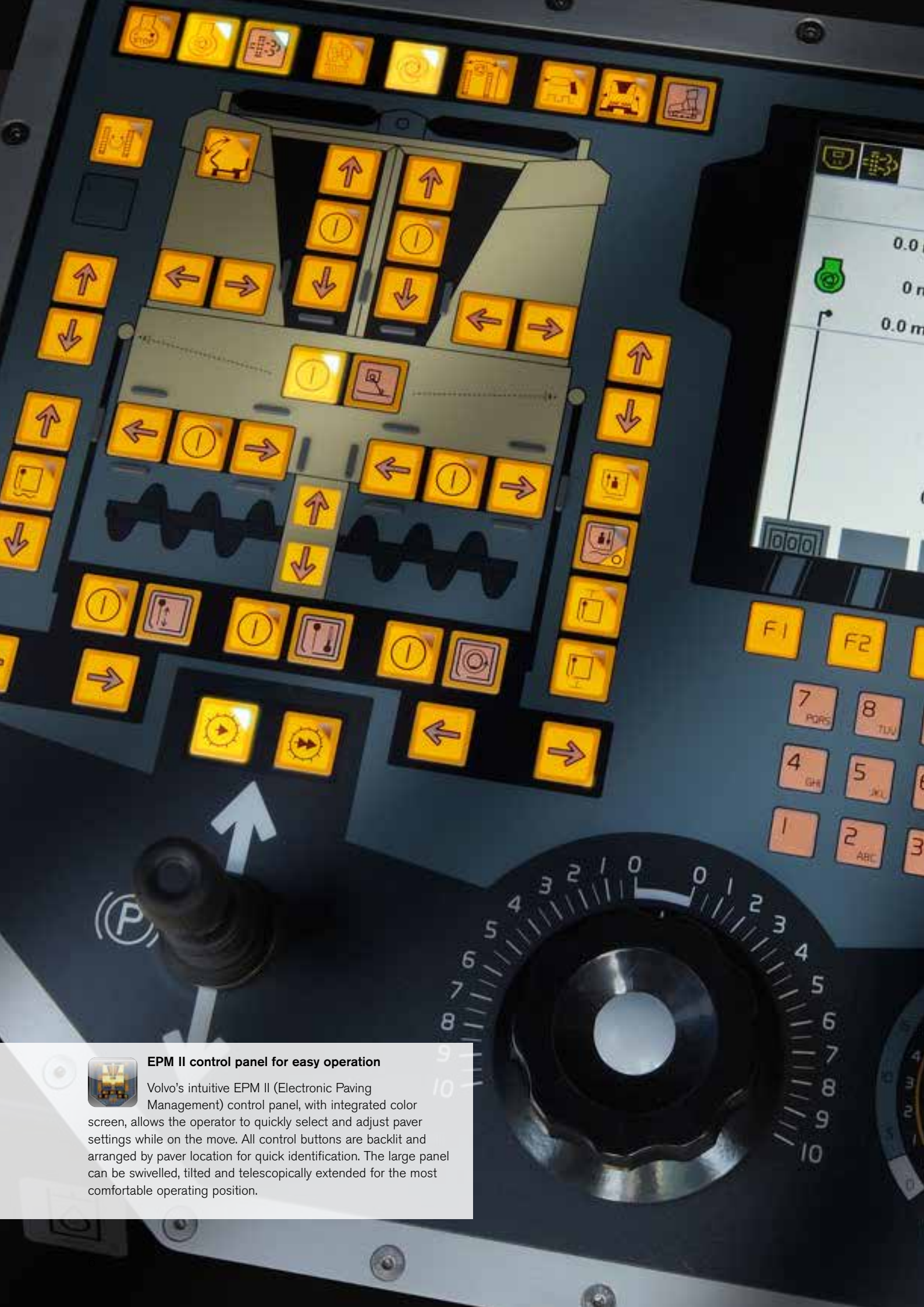
Crawler unit

Volvo ABG7820B / ABG8820B offers exceptional traction properties – the large contact area of the crawler tracks, together with optimal machine weight distribution, enables an efficient paving process even on bases with a poor bearing capacity.



ECO mode

When paving conditions do not require full power, the operator can select the smart power mode on the EPM II control panel to automatically reduce power to 1,600 rpm, resulting in lower noise and up to 30% reduction in fuel consumption.



EPM II control panel for easy operation

Volvo's intuitive EPM II (Electronic Paving Management) control panel, with integrated color screen, allows the operator to quickly select and adjust paver settings while on the move. All control buttons are backlit and arranged by paver location for quick identification. The large panel can be swivelled, tilted and telescopically extended for the most comfortable operating position.

Volvo puts you in control

Sit in the driver's seat and feel the power of Volvo ABG7820B/ABG8820B tracked pavers. Experience unrivalled control at your fingertips with the unique EPM II control panel, designed for easy operation and maximum efficiency. Intelligent paving at its best.

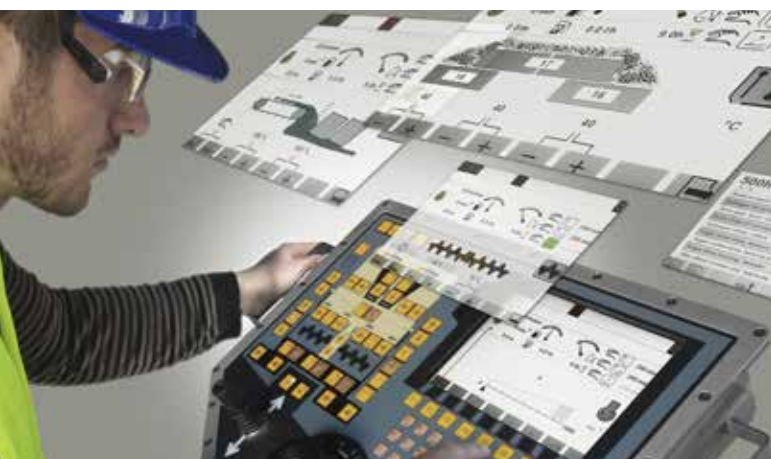
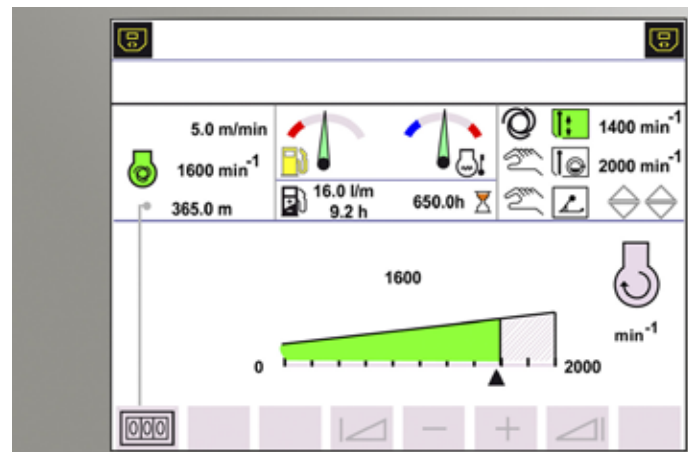
Service interval manager

Service Interval Manager provides warning or alerts to the operator regarding upcoming or past due service requirements.



Fuel monitoring system

The fuel monitoring system on the EPM II control panel records and displays fuel consumption by day or period so you can plan refuelling and calculate operational costs.



Settings manager

The Settings Manager feature on the EPM II control panel allows the operator to input all paving settings and parameters and save them for re-use on similar paving jobs for consistent paving results.



All-around visibility

360° view of the entire paving process from the operator seat for optimum safety and productivity. Seats can be extended over the side of the paver for additional visibility. In low ambient light conditions, optional light packages safely illuminate areas around the paver.

The perfect paving package

Serviceability

Daily maintenance checks are grouped together with access from the operator's platform for easier, faster and safer checks before paving starts.

Top engine performance

High performance Volvo D7, V-ACT engine delivers high power with low fuel consumption.

Hopper design

Large folding hopper wings and the conveyor design ensures proper material flow. Adding the (optional) apron will increase capacity and ensure hopper is always completely emptied.



Smooth paving control

Electronically controlled, independent travel drives for each crawler track offers smooth paving in all operating conditions.

Road surface scrapers

Road scrapers clear the debris and make a clean and smooth surface for the crawler tracks.





Folding canopy

Allows you to lower the roof for easy transport.



All-round visibility

360° view of the whole paving process for improved safety and productivity.



EPM ii control panel

Provides an overview of the entire paving process. The large panel with color screen can be repositioned for the most comfortable operating position.



The best screed performance

Volvo screeds provide industry leading performance for the best pavement quality, uniformity and smoothness.



Automatic track tensioner

Automatic track tensioner maintains correct track tension and reduces wear for smooth operation.



Customer Support Agreements

The range of Customer Support Agreements offer preventive maintenance, total repairs and a number of uptime services. Volvo uses the latest technology to monitor machine operation and status, giving you advice to increase your profitability. By having a Customer Support Agreement you are in control of your service costs.

Adding value to your business

Being a Volvo customer means having a complete set of services at your fingertips. Volvo can offer you a long-term partnership, protect your revenue and provide a full range of customer solutions using high quality parts, delivered by passionate people. Volvo is committed to the positive return of your investment.



Complete Solutions

Volvo has the right solution for you. So why not let us provide all your needs throughout the whole life cycle

of your machine? By listening to your requirements, we can reduce your total cost of ownership and increase your revenue.



Genuine Volvo Parts

Our attention to detail is what makes us stand out. This proven concept acts as a solid investment in your machine's future. Parts are extensively tested and approved because every part is vital for uptime and performance. Only by using Genuine Volvo Parts, can you be sure that your machine retains the renowned Volvo quality.



Service Network

In order to respond to your needs faster, a Volvo expert is on their way to your job site from one of our Volvo facilities. With our extensive infrastructure of technicians, workshops and dealers, Volvo has a comprehensive network to fully support you using local knowledge and global experience.

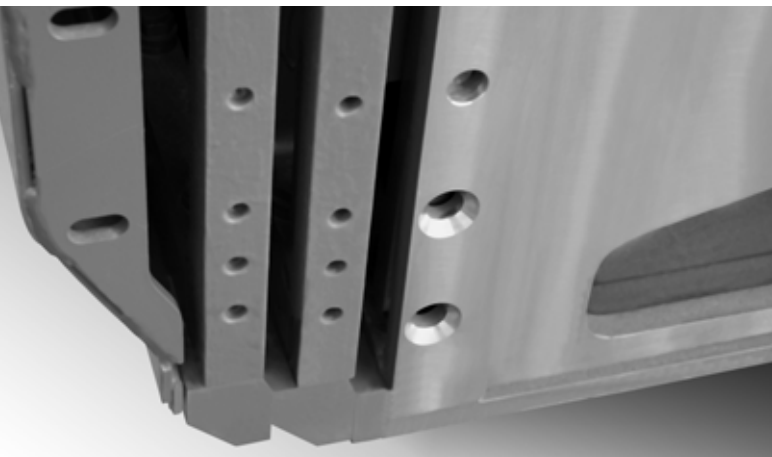
Industry leading performance

Volvo screeds have been designed to handle a wide range of materials and give you supreme smoothness and uniformity. Equipped with an ABG Variomatic single tamper screed, Volvo ABG7820B and ABG8820B tracked pavers combine excellent paving quality, maximum reserve and high efficiency.



Screed technology

Volvo Variomatic screeds provide customers with hydraulically extending widths and add on options for paving up to 8 meters.



Double tamper

Double tamper bars provide the highest levels of compaction density behind the screed. This reduces the amount of roller compacting, which saves time and money.



Fixed screed

Volvo fixed screeds have proved their versatility and effectiveness in a host of paving projects all over the world. They achieve paving widths of up to 13 m.

Specifications

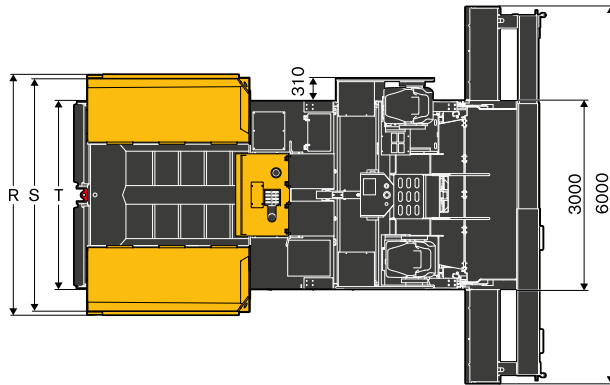
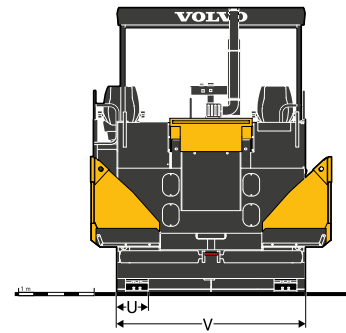
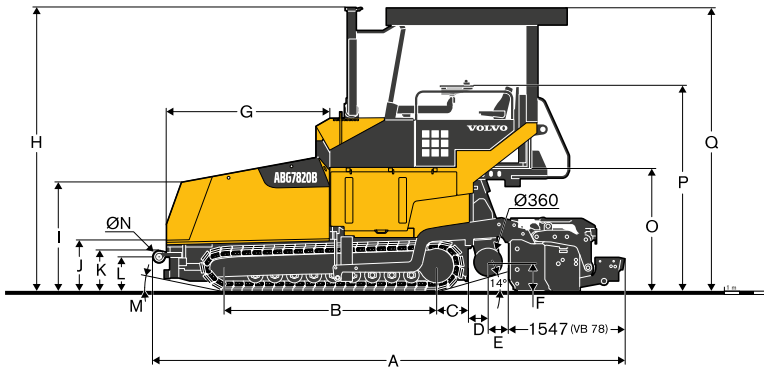
	ABG7820B		ABG8820B	
Engine (Diesel)				
Make			Volvo	
Model	D7E GE		D7E GD	
Output	kW	170 @ 1 800 rpm	182 @ 2 000 rpm	
Coolant			Liquid	
Fuel tank capacity	l	300		
Exhaust emission	COM IIIA /EPA Tier III			
Paving				
Output (theor)*	t/h	900	1100	
Mat thickness (max.)	mm	300		
Speeds				
Paving	m/min	20		
Transport	km/h	3.6		
Undercarriage				
Track length	mm	2 900	3 085	
Width (track plates)	mm	305	325	
Mix conveyor system				
Hopper capacity	t	13.5	14	
Conveyors		2		
Conveyor speed	m/min	24	24	
Augers (number of)				
Auger speed	rpm	95	100	
Auger diameter	mm	360		
Electrics				
Vehicle Voltage	Volt	24		
Transport dimensions				
Width	mm	2 500	2 500	
Length	mm	6 210	6 674	
Height	mm	2 940	3 077	
Weights**				
Tractor unit	kg	14 600	17 500	
Sound Level				
Sound Pressure Level at Driver's Ear, acc. to ISO 11201	LpA dB(A)	85 (with VB78, VB79, VB88,VB89 screeds) 86 (with VDT-V78, VDT-V79, VDT-V88, VDT-V89 screeds)	86 (with VB78, VB79, VB88,VB89 screeds) 87 (with MB122, VDT121, VDT-V78, VDT-V79, VDT-V88, VDT-V89 screeds)	
Guaranteed Sound Power Level, acc. to Directive 2000/14/EC	LwA dB(A)	107 (with VB78, VB79, VB88,VB89 screeds) 107 (with VDT-V78, VDT-V79, VDT-V88, VDT-V89 screeds)	108 (with MB122, VB78, VB79, VB88,VB89 screeds) 109 (with VDT121, VDT-V78, VDT-V79, VDT-V88, VDT-V89 screeds)	
* The actual paving output depends upon the mat thickness, the paving width and paving speed and will vary according to paving conditions prevailing on your jobsite. Please approach us and we will be pleased to assist you in calculating the paving output for your particular paving project.				
** All weights are approx. weights without options. Weight of the tractor: tires filled with water, Diesel tank half-full and weather roof included.				

Operating weights[†] of screeds in kg

At working width	ABG7820B, ABG8820B												ABG8820B	
	2.5 m	4 m	5 m	6 m	6.5 m	7.0 m	7.5 m	8 m	8.5 m	9 m	10 m	11 m	12 m	13 m
VB 78 ETC			3 600		5 222		5 782	6 342		6 903				
VB 78 GTC			3 680		5 342		5 912	6 502		7 073				
VDTV 78 ETC			3 720		5 442		6 032	6 662		7 253				
VDTV 78 GTC			3 800		5 562		6 172	6 822		7 433				
VB 79 ETC**			3 730		5 352		5 912	6 472		7 033				
VDTV 79 ETC**			4 100		5 822		6 412	7 042		7 633				
VB 88 ETC				3 820			5 542		6 102	6 662	7 223			
VB 88 GTC				3 900			5 662		6 232	6 822	7 393			
VDTV 88 ETC				4 450			6 272		6 862	7 492				
VDTV 88 GTC				4 520			6 382		6 992	7 642				
VB 89 ETC**				4 200			5 922		6 482	7 042				
VDTV 89 ETC**				4 570			6 392		6 982	7 612				
MB 122	1 800	3 065		4 752		5 595	6 017	6 439		7 282	8 126	8 969	9 813	10 656
VDT 121	2 100			5 052			6 317			7 582			10 113	10 956

[†] Including auger extensions, channel plates etc. ^{**}only ETC version available, articulated screed extensions ± 10%

Dimensions



DIMENSIONS	A	B	C	D	E	F	G	H	I	J	K
ABG7820B	6 247	2900	405	265	275	360 ± 65	2 163	3 780	1 431	635	535
ABG8820B	6674	3085	475	260	298	360 ± 50	2 163	3 938	1465	652	535
	L	M	N	O	P	Q	R	S	T	U	V
ABG7820B	437	12.5°	160	939	1 606	3 735	3 191	3 091	2 495	300	2 269
ABG8820B	445	13°	160	939	1 781	3 887	3 262	3 162	2495	325	2350

STANDARD EQUIPMENT

	ABG7820B	ABG8820B
Engine		
Volvo Diesel engine, COM IIIA/EPA Tier 3	•	•
Drive		
Electronic drive control	•	•
Lifetime lubricated crawler track rollers	•	•
Forged and hardened crawler track links	•	•
Automatic track tensioner	•	•
Material Management		
Large truck buffer rollers with 160 mm Ø	•	•
Four individual hydrostatic drives for conveyors and augers	•	•
Mechanical auger height adjustment	•	•
Reversible direction of auger rotation	•	•
Auger speed control ON/OFF	•	•
Structure		
Two seats, laterally extendable	•	•
Anti-vandalism kit	•	•
Electronics		
Electronic Paver Management (EPM2)	•	•
Smart power	•	•

	ABG7820B	ABG8820B
Electronics		
Settings Manager	•	•
Service Interval Manager	•	•
Adjustable and revolving control unit	•	•
Electric switch cabinet	•	•
Battery master switch	•	•
Two external control panels for the paving screed	•	•
Screed		
Split towing arms	•	•
Hydraulics for Vario screeds with tamper and vibration	•	•
Hydraulics for Vario screeds with double tamper and vibration & man. adjust. screeds	•	•
Screed lock	•	•
Lights		
Four working lights	•	•
Environmental		
Sound insulation	•	•

Equipment

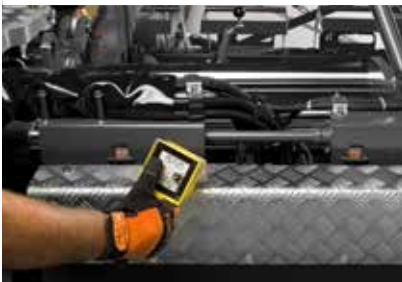
OPTIONAL EQUIPMENT

	ABG7820B	ABG8820B
Material Management		
Individual operating hopper wings	•	•
Hydraulically operated front apron	•	•
Reversible conveyor	•	•
Proportional Ultrasonic Sensor auger control	•	•
Proportional control of conveyor belts		•
Hydraulic auger height adjustment	•	•
Central lubrication	•	•
Electronics		
Levelling systems	•	•
Auxiliary control panel	•	•
Additional sockets 230V	•	•
Structure		
Deluxe seats with heating	•	•
GRP (Glass-fibre reinforced plastic) all-weather roof with manual-hydraulic folding device	•	•
All-weather roof with manual-hydraulic folding device	•	•
Front windscreen (only in conjunction with all-weather roof)	•	•
Tarpaulin for sides	•	•
Special paintwork (according to RAL colour code, excluding metallic paintwork)	•	•

	ABG7820B	ABG8820B
Screed		
Hydraulics for Vario screeds with double tamper and vibration & man. adjust. screeds	•	
Screed anti-climbing lock	•	•
Screed tensioning device	•	•
Screed assist	•	•
Screed load device	•	•
Hydraulic height adjustment of extendable screeds	•	•
Lights		
Xenon floodlighting (only in conjunction with all-weather roof)	•	•
Driver's compartment lighting	•	•
Two additional lights (rear)	•	•
Auger lighting	•	•
Warning beacon	•	•
Environmental		
Extractor for bituminous fumes	•	•
Emulsions spraying system	•	•
Heavy-duty spray cleaning gun	•	•
Fuel transfer pump	•	•
Biodegradable hydraulic oil	•	•
Particle filter (according to BUVAL directions)	•	•

SELECTION OF VOLVO OPTIONAL EQUIPMENT

Hydraulic height adjustment for extendable screed



Screed tensioning device



Hydraulic auger height adjustment



Individual operating hopper wings



Additional lights



Auxiliary control panel



Not all products are available in all markets. Under our policy of continuous improvement, we reserve the right to change specifications and design without prior notice. The illustrations do not necessarily show the standard version of the machine.

VOLVO

Volvo Construction Equipment

www.volvoce.com