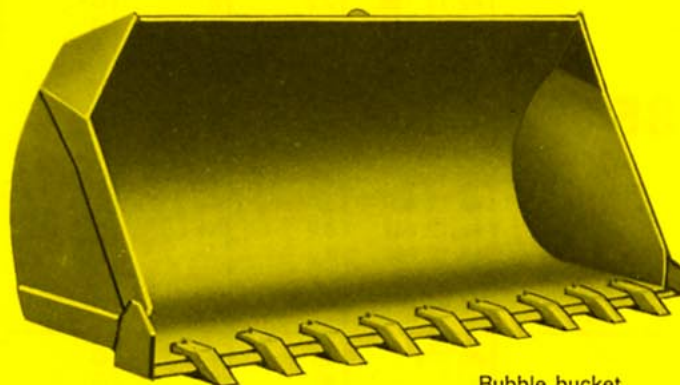
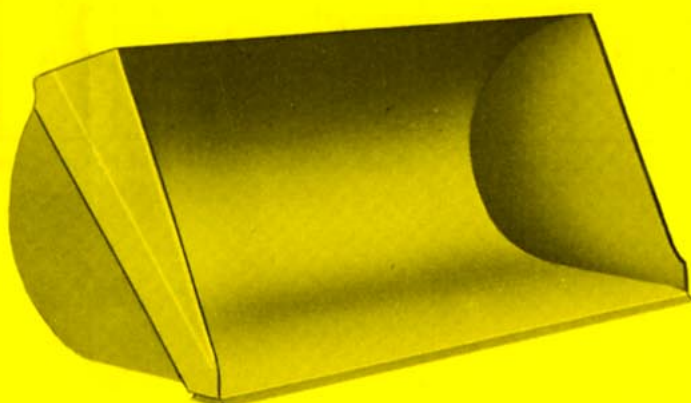


BM-VOLVO

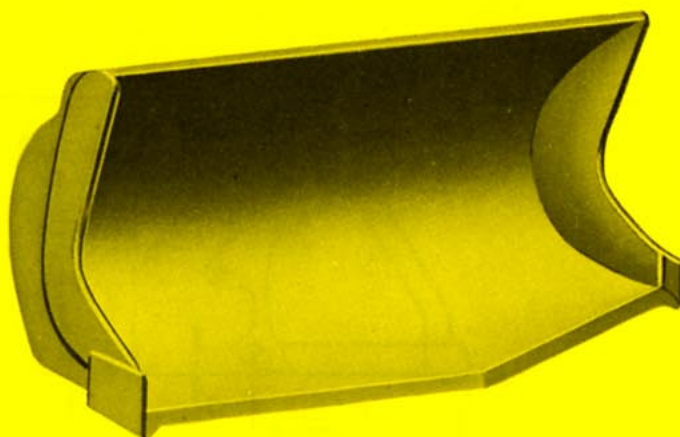
**BUCKETS AND OTHER ATTACHMENTS
FOR BM-VOLVO LOADERS 654, 854 and 1254**



Rubble bucket



Bucket for light-weight materials



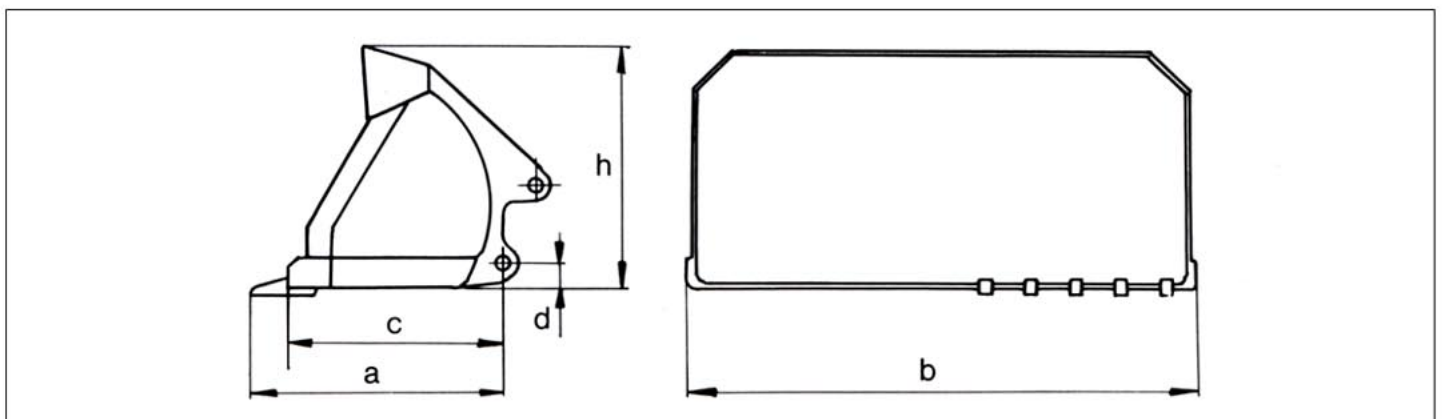
Gravel bucket

buckets

Loader	Part No.	Volume SAE cu.yd.	No. of teeth	Type of bucket	Mounting	a in	b in	c in	d in	h in
654	49 11 988	1.4	7	G	D	39 1/2	82 1/2	35	6 3/4	38 1/4
	49 12 698	1.4	7	G	I	43 3/4	82 1/2	39 1/4	7 3/4	38 1/4
	49 12 013	1.6	8	G	D	39 1/2	88 1/2	35	6 3/4	38 1/4
	49 12 696	1.6	8	G	I	43 3/4	88 1/2	39 1/4	7 3/4	38 1/4
	49 13 169	2.0	8	G	D	43 3/4	88 1/2	39 1/4	8 3/4	39 3/4
	49 13 236	2.0	8	G	I	46	88 1/2	41 3/4	8 3/4	39 3/4
	49 07 350	2.6	—	L	D	—	89	49	10	40 3/4
	49 11 257	2.6	—	L	I	—	89	51	10	40 3/4
	49 06 800	—	—	R	D	—	69 1/4	44	6	34 1/4
	49 08 010	—	—	R	D	—	82	46	6 3/4	34 1/4
854	49 03 826 ¹⁾	1.7	8	G	D	40	93 1/2	35 1/4	5 3/4	37
	49 06 550 ¹⁾	2.0	8	G	D	40 3/4	94	36	6	41 3/4
	49 09 628 ¹⁾	2.0	8	G	I	43 3/4	94	39 1/4	5 3/4	41 3/4
	49 12 128	2.2	8	G	D	42 1/4	98 1/4	37 1/4	7 1/4	43 3/4
	49 12 229	2.2	8	G	I	45 1/2	98 1/4	40 3/4	7	43 3/4
	49 12 901	2.2	9	G	D	42 3/4	103 1/2	37 1/4	7 1/4	43 3/4
	49 12 913	2.2	9	G	I	45 1/2	103 1/2	40 3/4	7 1/4	42 1/2
	49 13 134	2.6	9	G	D	45	103 1/2	40	7 1/4	45
	49 13 247	2.6	9	G	I	48	103 1/2	43	7 1/4	45
	49 12 631	3.9	—	L	D	—	96	47 1/2	7 1/4	50 1/4
	49 12 807	3.9	—	L	I	—	96	50	7	50 1/4
	49 12 632	3.9	—	L	D	—	98 1/4	47 1/2	7 1/4	50 1/4
	49 12 808	3.9	—	L	I	—	98 1/4	50	7	50 1/4
	49 08 842	—	—	R	D	—	98 1/2	44	6	37
	1254	95 598	3.1	9	G	D	48 3/4	103 1/2	43 1/4	6
95 639		3.1	9	G	I	50 1/4	103 1/2	44 3/4	6	50 1/2
95 638		3.1	9	G	D	48 3/4	110 1/4	43 1/4	6	48
95 640		3.1	9	G	I	50 3/4	110 1/4	45 1/2	6	48
95 621		5.8	—	L	D	—	108 1/4	53	10 1/4	59 1/2
95 620		—	—	R	D	—	104 1/4	48 1/4	6	43

G=Gravel bucket L=Bucket for light-weight materials R=Rubble bucket D=Direct mounting I=For attachment bracket

¹⁾ Stocked for old loaders only



other attachments

Timber grapple

Loader	Part No.	Area sq.ft.	Mounting	Outer width across tines in	Remarks
654	49 13 443	7.5	D	51	
	49 13 455	7.5	I	51	
	49 13 442	7.5	D	51	1)
	49 13 454	7.5	I	51	1)
	49 13 445	9.7	D	59	
	49 13 457	9.7	I	59	
	49 13 444	9.7	D	59	1)
	49 13 456	9.7	I	59	1)
854	49 13 447	9.7	D	59	
	49 13 459	9.7	I	59	
	49 13 446	9.7	D	59	1)
	49 13 458	9.7	I	59	1)
	49 13 449	12.9	D	59	
	49 13 461	12.9	I	59	
	49 13 448	12.9	D	59	1)
	49 13 460	12.9	I	59	1)
1254	95 618	16.1	D	59	2)
	95 645	16.1	I	59	2)
	95 623	18.8	D	67	2)
	95 646	18.8	I	67	2)

1) With mechanical reducer for holding single full trees or tree lengths.

2) With hydraulic reducer for holding single full trees or tree lengths.

D=Direct mounting I=For attachment bracket

Lift forks, individual lateral adjustment on frame

Loader	Part No.	Mounting	Width of frame in	Inside height of fork in	Inside length of fork in
654	49 13 493	D	71	39 1/2	43 1/4
654	49 13 471	I	71	39 1/2	43 1/4
854	49 13 494	D	78 3/4	39 1/2	43 1/4
854	49 13 472	I	78 3/4	39 1/2	43 1/4
1254	95 643	I	86 1/2	39 1/2	49 1/4

D=Direct mounting I=For attachment bracket

Attachment bracket (speed-coupling)

Loader	Part No.	Type
654	49 13 470	With mechanical lock
654	49 13 103	With hydraulic lock
854	49 13 469	With mechanical lock
854	49 13 094	With hydraulic lock
1254	95 614	With hydraulic lock

The loaders may also be equipped with various other attachments such as crane jib, etc.

Dozer blade

Loader	Part No.	Height of blade in	Width of cutting edge in	Mounting
654	49 13 599	33 1/2	110 1/4	—
	49 13 597	—	—	D
	49 13 598	—	—	I
854	49 13 602	33 1/2	126	—
	49 13 600	—	—	D
	49 13 601	—	—	I

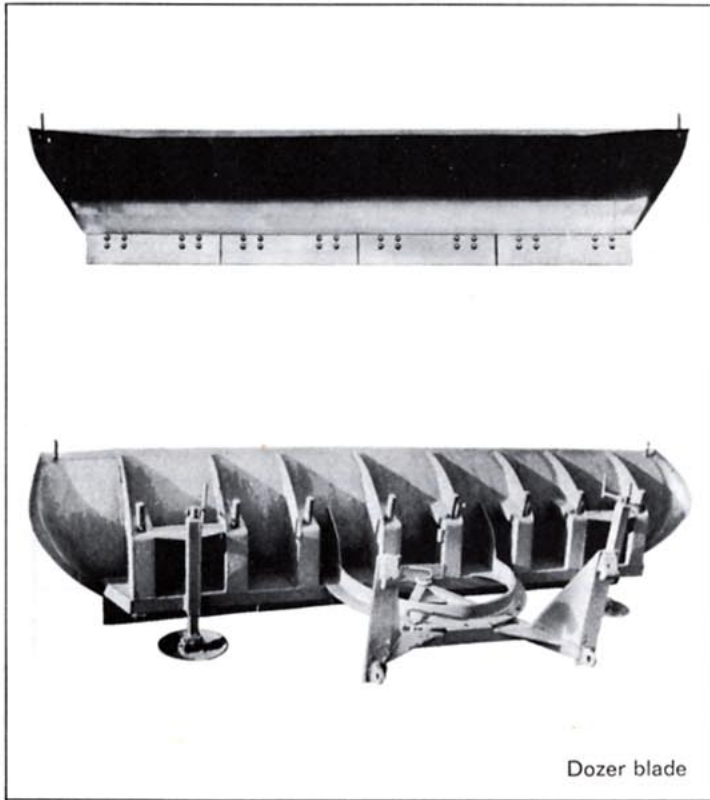
D=Direct mounting I=For attachment bracket



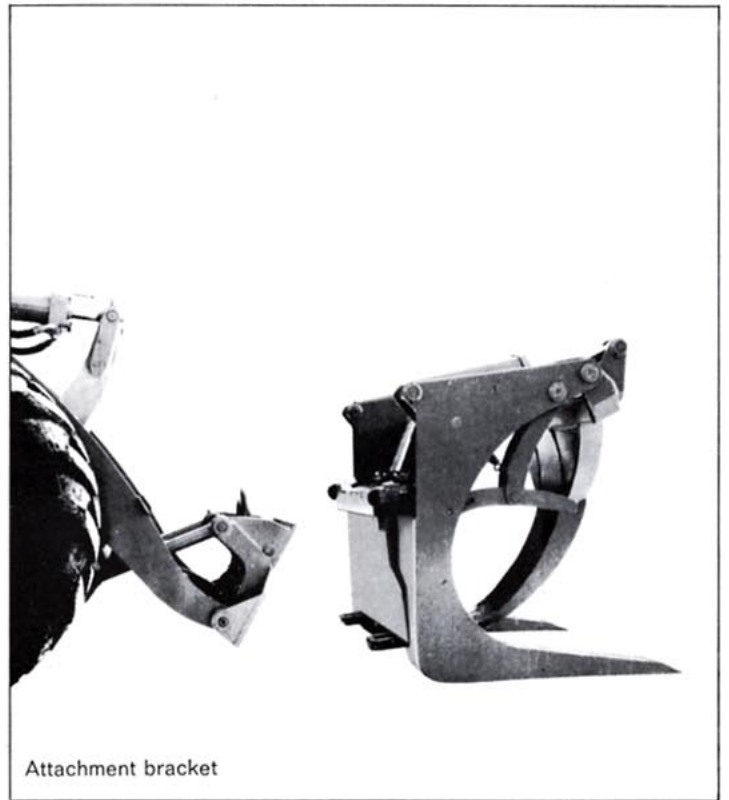
Timber grapple



Lift fork



Dozer blade



Attachment bracket

Subject to alteration without notice.



BOLINDER-MUNKTELL

—a member of the Volvo Corporation,
Eskilstuna, Sweden