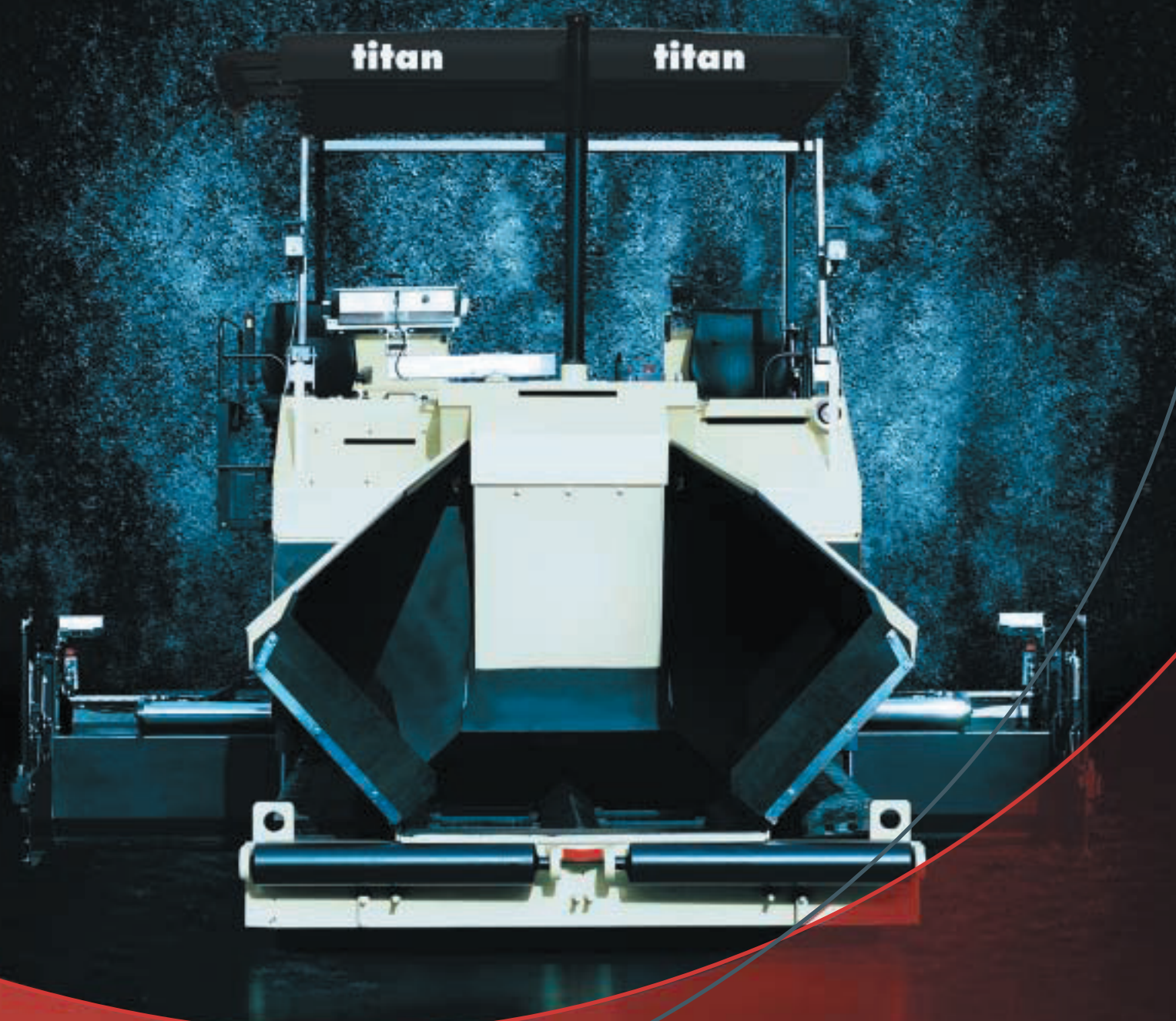


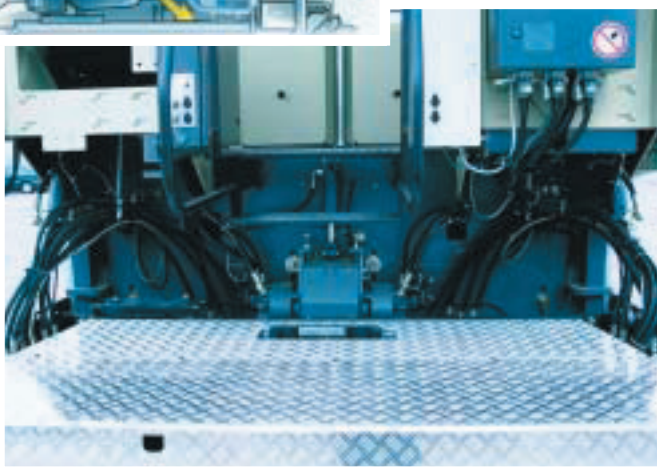
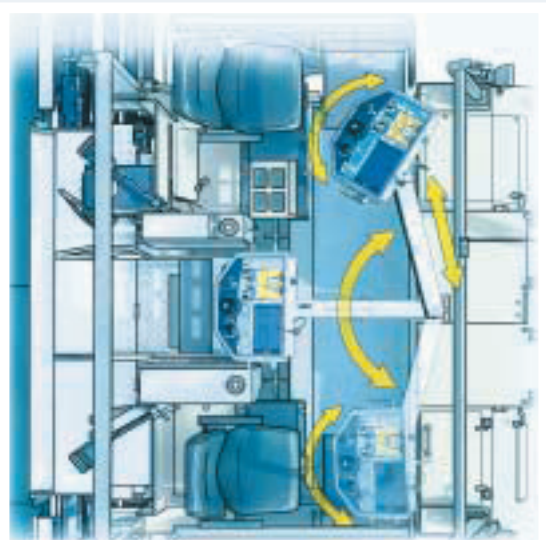


ABG TITAN 6820

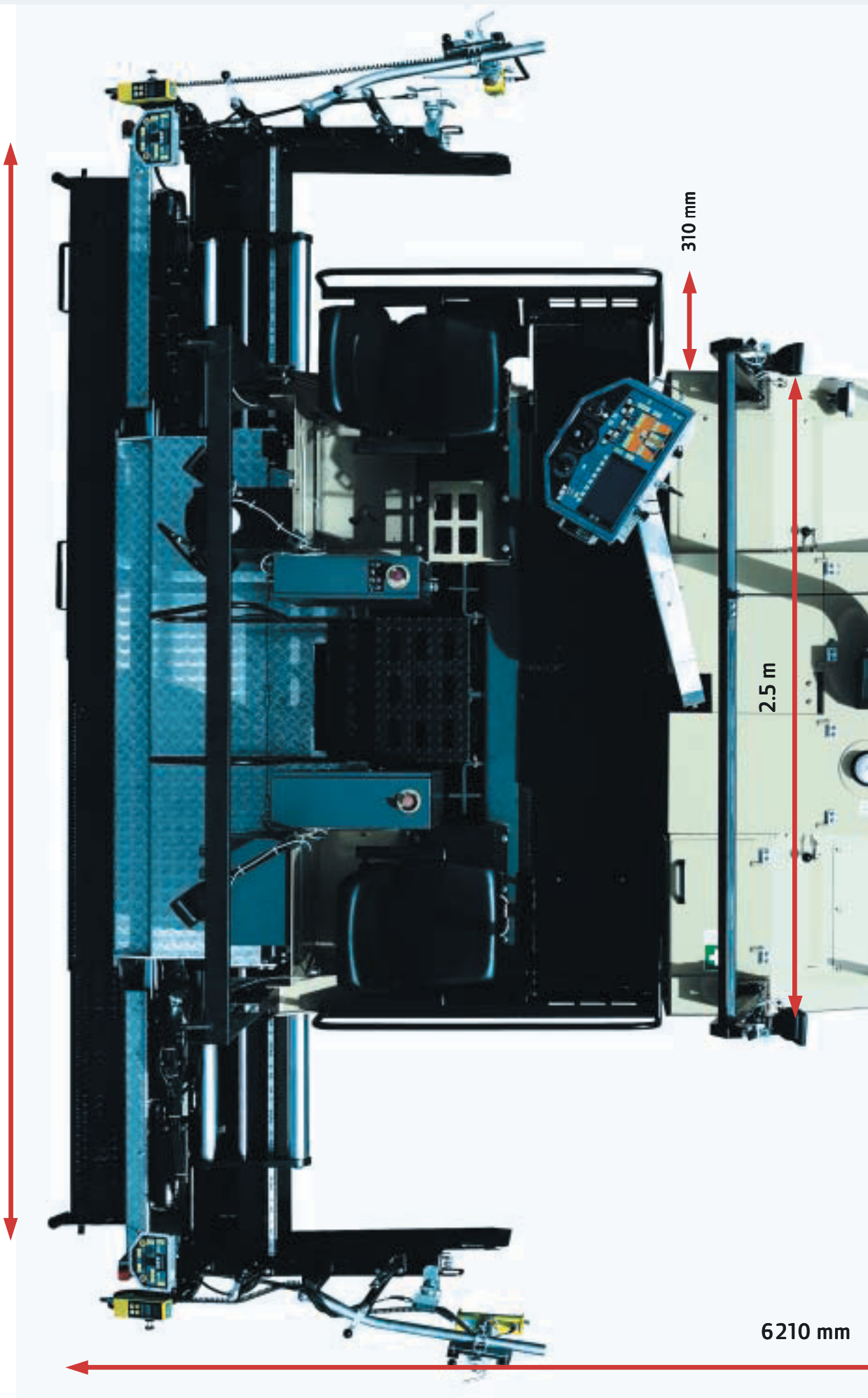


Moving The World Forward





min. 2.5 m / 3.0 m (VB 78/VB 88) max. 8.0 m / 7.5 m



6210 mm

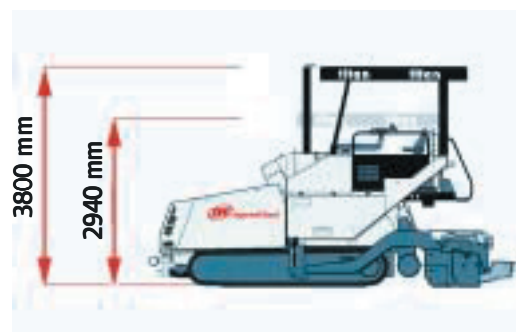
310 mm

2.5 m

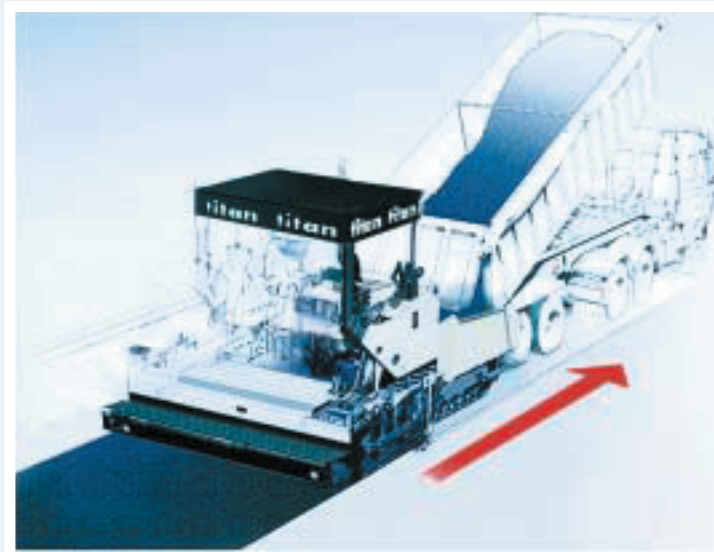
VB-T 78
 VB 78
 VB 88
 VDT-V 78
 MB 122

2.5 - 5.0 m = 17.8 t
 2.5 - 5.0 m = 18.0 t
 3.0 - 6.0 m = 18.5 t
 2.5 - 5.0 m = 18.4 t
 2.5 m = 16.0 t

8.0 m = 20.0 t
 8.0 m = 20.3 t
 7.5 m = 19.5 t
 6.5 m = 19.5 t
 8.0 m = 19.4 t



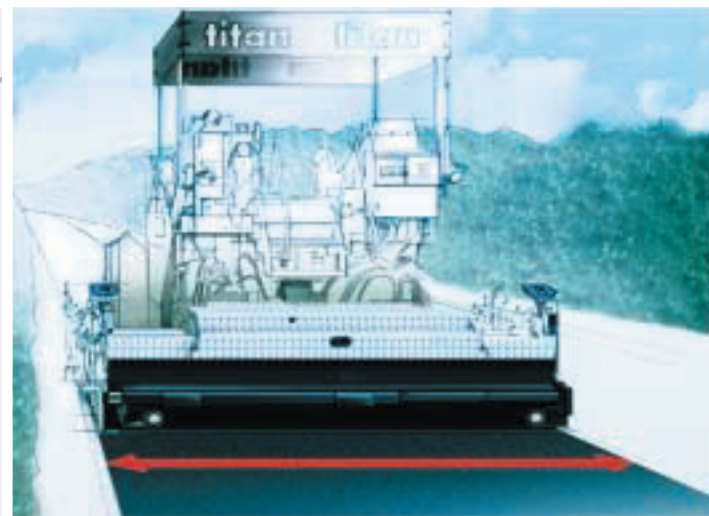
max 600 t/h
max 20 m/min



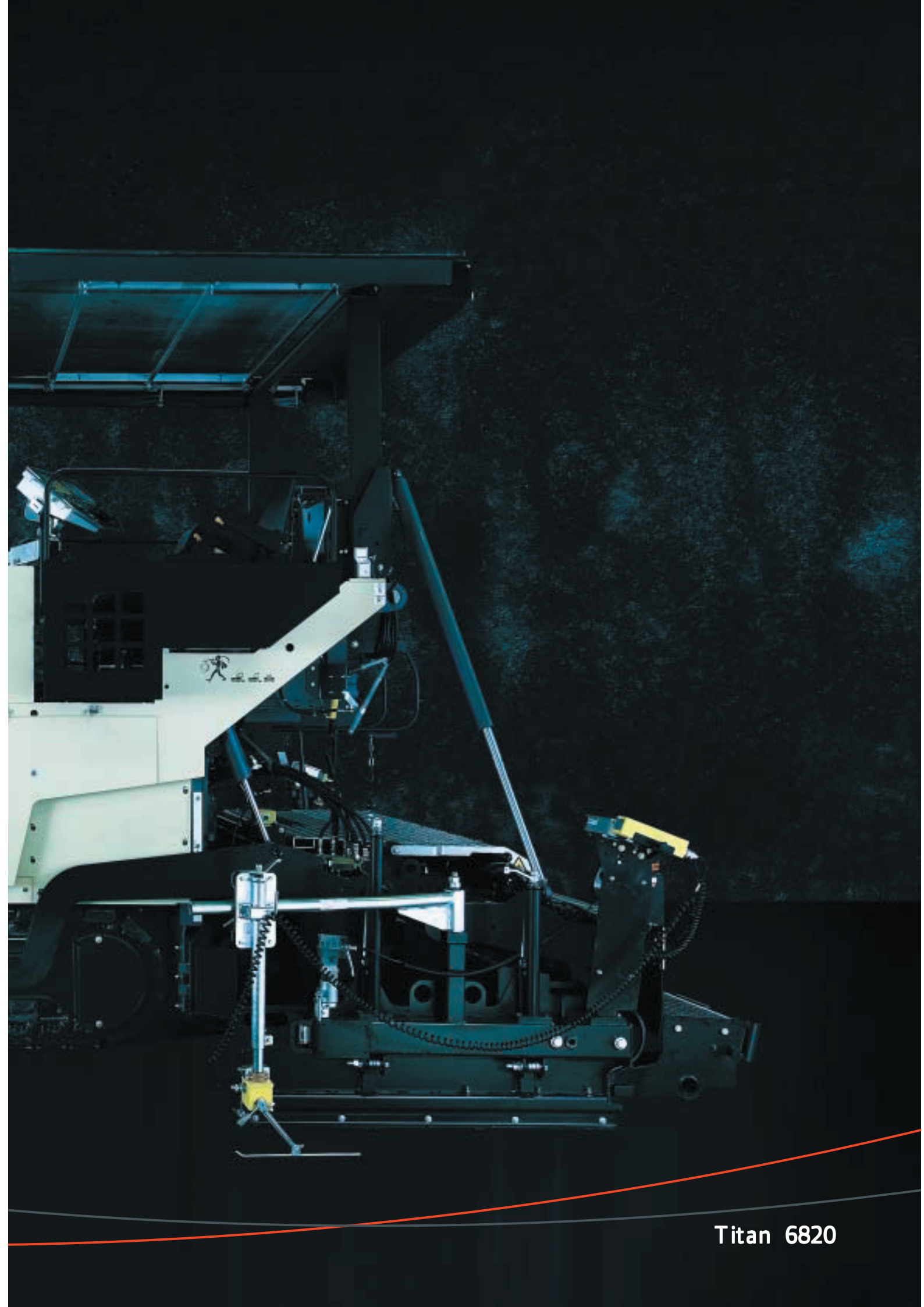
max 3.6 km/h



max 300 mm



max 8.0 m (VB 78/ VB-T 78)



Titan 6820

Maschinen können mit Sonderzubehör abgebildet sein. Technische Änderungen vorbehalten.

Machines may be illustrated with extras. Specifications are subject to alteration without prior notice.

Les machines représentées peuvent comporter des équipements optionnels. Sous réserve de modifications techniques.

Las máquinas pueden aparecer representadas con extras opcionales. Nos reservamos el derecho de realizar modificaciones técnicas sin previo aviso.



Experience the power of Ingersoll Rand construction and road building equipment, industry-leading support and service. Whatever your job, Ingersoll Rand has the solution from pavers and compactors, portable air compressors, light towers and generators, earthmoving equipment, material handlers, concrete equipment to attachments. Running a successful business takes more than powerful equipment. That's why Ingersoll Rand partners with an experienced global dealer network to stand beside you every step of the way.

www.ingersollrand.com

ABG Allgemeine Baumaschinen-Gesellschaft mbH
Kuhbrückenstrasse 18 · D-31785 Hameln · Germany
E-mail ir-abg_info@eu.irco.com · www.ir-abg.com
tel. +49 (0) 5151-209 0 · fax +49 (0) 5151-209 204

© 2006 Ingersoll-Rand Form #08 · 0206 CPN 80786916