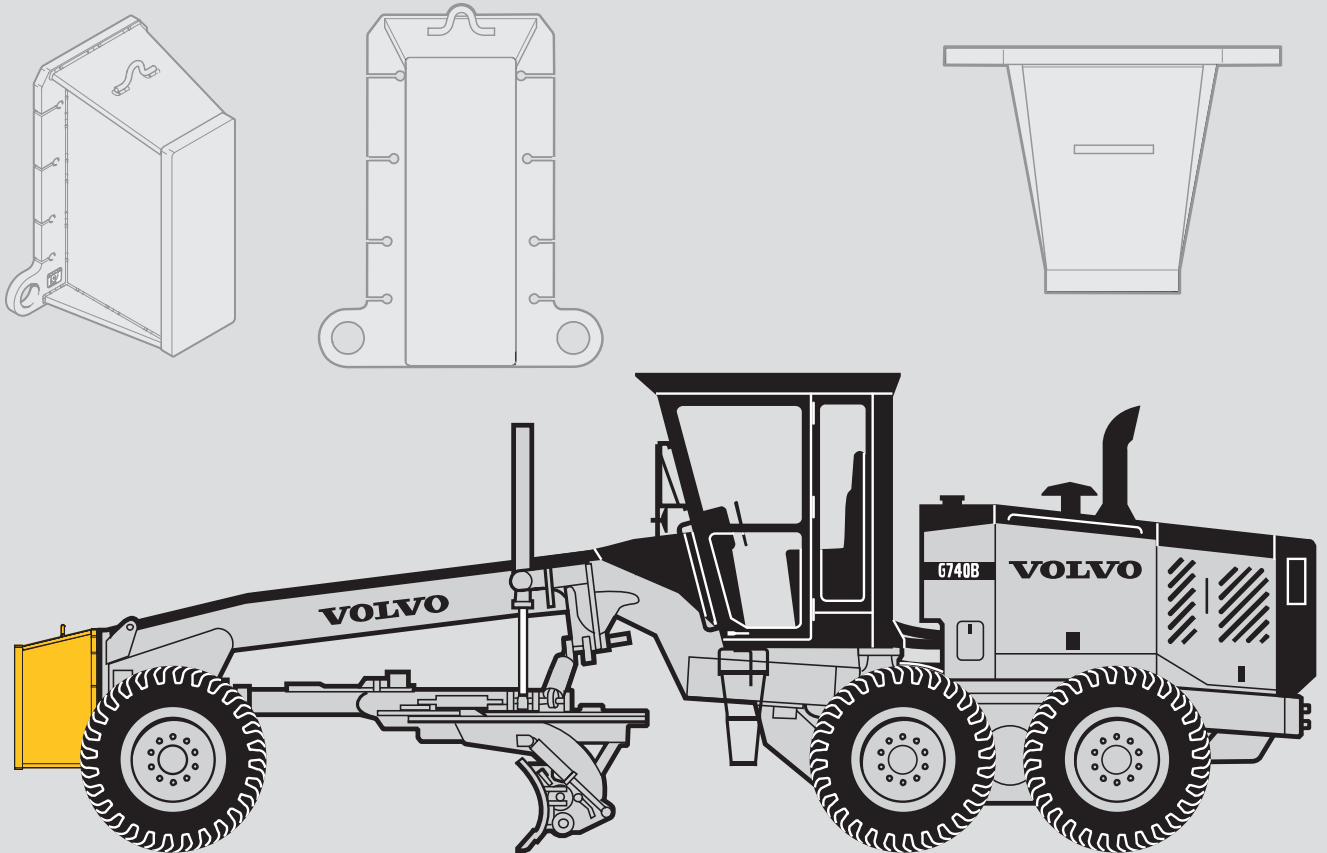


VOLVO MOTOR GRADER

PUSH BLOCK

ATTACHMENT



Key Features:

- Extends beyond the front tires to provide ample clearance for pushing other equipment
- Sloped top and sides ensure forward visibility is maintained
- The push block can be easily mounted and demounted to facilitate the use of other front mounted attachments
- Integral tie down points for securing the machine during shipment

The push block is mounted to the grader nose plate and performs two basic functions:

- As a counterweight to maintain grader balance when a rear ripper/scarifier is installed
- Installed as a push point in applications when a grader may be called upon to be used as a push vehicle

VOLVO

DIMENSIONS

Model V011

Weight.....	476 kg	(1,050 lb)
Height.....	851 mm	(33.5")
Width (at push point)	305 mm	(12")
Depth to grader nose plate ..	591 mm	(23.3")
Push area	2 594 cm ²	(402 in ²)

ADD TO OVERALL GRADER LENGTH – ALL DOZER BLADE MODELS

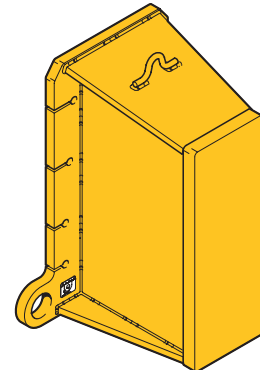
Tire Size	G710B	Tire Size	G720B-G726B	Tire Size	G730B
13.00 x 24	500 mm (19.7")	13.00 x 24	–	13.00 x 24.....	–
14.00 x 24	465 mm (18.5")	14.00 x 24	500 mm (19.7")	14.00 x 24.....	500 mm (19.7")
16.00 x 24	–	16.00 x 24	–	16.00 x 24.....	–
17.50 x 25	465 mm (18.5")	17.50 x 25	500 mm (19.7")	17.50 x 25.....	500 mm (19.7")
20.50 x 25	–	20.50 x 25	–	20.50 x 25.....	–

Tire Size	G740B-G746B	Tire Size	G780B
13.00 x 24	–	13.00 x 24	–
14.00 x 24	527 mm (20.7")	14.00 x 24	–
16.00 x 24	460 mm (18.2")	16.00 x 24	475 mm (18.7")
17.50 x 25	527 mm (20.7")	17.50 x 25	–
20.50 x 25	–	20.50 x 25	470 mm (18.5")

KEY FEATURES

- Two 89 mm (3.5") diameter tie down lugs
- One 38 mm (1.5") diameter lift eye
- Mounted to the nose plate with eight grade 8 bolts
- Construction: Fully welded carbon steel alloy box
- Standard paint color: Volvo Yellow

PUSH BLOCK



Volvo offers a complete line of attachments to increase the versatility and productivity of your grader. Volvo attachments are designed to meet the unique performance characteristics required in grader applications.

All dimensions are approximate.

Your safety and the safety of those around you depends on using care and judgement when operating and servicing your grader. Do not operate the grader until you read and understand the warnings and instructions in the operator's manual. Volvo Motor Graders Limited is an ISO 9001 and 14001 registered company. www.volvo.com

Under our policy of continuous product development and improvement, we reserve the right to change the specifications and design without prior notice. The illustrations do not necessarily show the standard versions of the attachment or the machine.

VOLVO

**Volvo Construction Equipment
North America, Inc.**

One Volvo Drive, Asheville, NC 28803-3447
www.volvoce.com

Ref. No. 22 3 434 1035 English
Printed in USA 05/05 – 3,0 GMC
Volvo, Asheville