

# VOLVO BM 860 TC



## **Power**

— Volvo TD 50 B  
Turbo charged diesel 150 hp (111 kw)  
Full power shift transmission

## **On-off road performance**

Articulated steering  
Torque converter with lock-up clutch  
Excellent weight distribution

## **Stability**

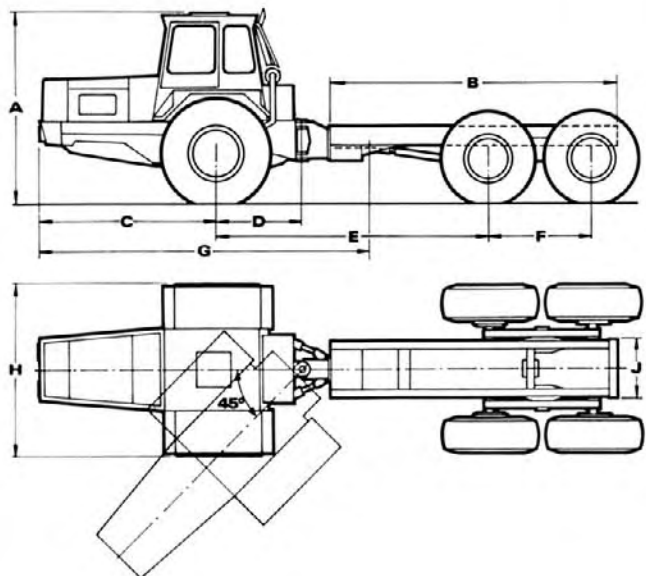
Large wheels  
Floating action rear bogie

## **Economy**

Standard Volvo components — Easy to service  
Low fuel consumption

## **Safety-Comfort**

Impact tested comfort cab — Noise level under  
N 85 dB curve — Finger tip steering



### DIMENSIONS

	ft.	in	mm.
A	9	2	2800
B	14	0	4150
C	8	7	2620
D	4	2	1280
E	13	3	4050
F	5	1	1540
G	16	1	4900
H	8	2	2480
J	3	1	840

Specifications based  
on 860 TC with  
Front tyres 18.00 × 25  
Rear tyres 16.00 × 24

# SPECIFICATION VOLVO BM 860 TC

## Engine

Type:	Volvo TD 50 B
	6 cyl. in line, direct injection, 4 stroke cycle. Turbo charged
Output:	150 hp (111 kW) SAE at 2.500 rev/min
Torque:	448 Nm (331 Lbft. 45.7 kpm) at 1.900 rev/min
Bore x stroke:	95.25 x 120 mm (3 7/8 x 4 7/8 in.)
Cylinder volume:	5,13 litres (313 in. <sup>3</sup> )
Specific fuel consumption:	164 g/hph (0,36 lb/hph)

## Electrical system

Voltage:	12 V
Alternator:	450 W
Starter:	4 hp (3 kw)
Battery capacity:	152 Ah

## Power transmission

Torque converter:	Single stage with freewheeling stator and automatic lock-up clutch (DIRECT-DRIVE)
Stall ratio:	2,3:1
Gear box:	Full power shift with 4 for- ward, 4 reverse gears
Axes:	Front; integral reduction and differential lock Rear; hub reduction and dif- ferential lock 4 wheel drive engaged and disengaged by pneumatic control

## Brakes

Air operated 6 wheel braking system
Mechanical parking brake on 4 wheels
Loading brake incorporated in gear lever
Automatic Emergency braking system
Total braking area: 6485 cm <sup>2</sup> (1005 in. <sup>2</sup> )
Air pressure: 6,2—7 kp/cm <sup>2</sup> (88—100 lbf/in. <sup>2</sup> )
Exhaust brake standard

## Tyres

Front wheels	18.00x25/16 EM
Rear wheels	16.00x24/16 EM

## Steering

Full hydraulic articulated steering with mechanical follow up.	
Steering angle (each direc- tion):	45°
Nos of. steering wheel turns from lock to lock:	3,5
Pump capacity:	140 l/min (31 gall./min)
Max. working pressure:	120 kp/cm <sup>2</sup> (1700 lbf/in. <sup>2</sup> )
Steering cylinders	
Bore x stroke:	100x500 mm

## Operating specifications

	Front axle	Tandem axle	Total				
Unladen weight kg/lb	6400/14100	3300/7300	9700/21400				
Max. axle pressure kg/lb	10000/22000	19200/42300	29200/64300				
Load incl. superstructure kg/lb	3600/7900	15900/35000	19500/42900				
Overall width	2.480 mm	8 ft 2 in					
height	2.800 mm	9 ft 2 in					
length	8.950 mm	29 ft 4 in					
Ground clearance							
front	440 mm	1 ft 5 in					
rear	410 mm	1 ft 4 in					
Outer turning radius	7.500 mm	24 ft 7 in					
Speed ranges							
1	0—6 km/h	2	0—10 km/h	3	0—18 km/h	4	0—30 km/h
	0—3.7 mph		0—6.2 mph		0—11.2 mph		0—18.6 mph

## Hydraulics

(Standard)	
Pump capacity:	140 l/min (31 gall/min)
Max. working pressure	120 kp/cm <sup>2</sup> (1700 lbf/in. <sup>2</sup> )
(Extra)	
Pump capacity:	220 l/min (48 gall/min)
Max. working pressure:	175 kp/cm <sup>2</sup> (2500 lbf/in. <sup>2</sup> )

## Service capacities:

	l	Imp. galls
Coolant	23 l	(5 galls)
Engine oil	17 l	(3 1/2 galls)
Fuel tank	225 l	(50 galls)
Transmission oil	22 l	(5 galls)
Hydraulic oil	135 l	(30 galls)
Compressed air tanks, front:	28 l	(5,7 galls)
tanks, rear:	40 l	(8,8 galls)

## Standard equipment

Impact tested steel safety cab.
Cab heater with fresh-air intake and defroster
Adjustable spring-cushioned, shock absorbing seat
Windscreen washer/wiper
Rear view mirrors (2)
Full instrumentation:
Gauges for: engine rev. counter/hour counter
engine coolant temperature
fuel gauge
compressed air (brakes)
Warning lights for: engine oil pressure
transmission oil temperature
transmission oil pressure
battery charging
main beam
parking brake
direction indicators
Sun visor
Mountings for safety belts
Door retainers in open position
Cigarette lighter and ashtray
Horn
Parking/Working lights. Headlight dimmer
Reversing light
Direction indicators and hazard warning system
Interior cab light
Air cleaner indicator
Removeable roof panel
Toolkit/tyre pumping hose
Enamelled spark-arrester muffler
Front towing eyes

## Extra equipment

Extra fuel filter
Engine heater, gas or electric
Rotating flashing beacon
Towing hitch
Front wheels 18.00x25 XRB or HRL
Rear wheels 14.00x24 XRB or HRL
20.5 x 25 XRB
Spill guard for rear window
Hydraulic PTO
Stand and controls for hydraulic crane
Bunks and stakes for log transport
Underbody protection
Cab ventilator
Fire extinguisher
Safety belt
Radio
Long chassis version

We reserve the right to change specifications and design without notice.

**VOLVO BM**  
VOLVO BM AB ESKILSTUNA SWEDEN

No 2311 AE