

VOLVO EXCAVATORS

EC340D, EC380D, EC480D

34-51 t / 75,260-111,790 lb 288-355 hp



A PASSION FOR PERFORMANCE.

At Volvo Construction Equipment, we're not just coming along for the ride. Developing products and services that raise productivity – we are confident we can lower costs and increase profits for industry experts. Part of the Volvo Group, we are passionate about innovative solutions to help you work smarter – not harder.

Helping you to do more

Doing more with less is a trademark of Volvo Construction Equipment. High productivity has long been married to low energy consumption, ease of use and durability. When it comes to lowering life-cycle costs, Volvo is in a class of its own.

Designed to fit your needs

There is a lot riding on creating solutions that are suited to the particular needs of different industry applications. Innovation often involves high technology – but it doesn't always have to. Some of our best ideas have been simple, based on a clear and deep understanding of our customers' working lives.



You learn a lot in 175 years

Over the years, Volvo has advanced solutions that have revolutionized the use of construction equipment. No other name speaks Safety louder than Volvo. Protecting operators, those around them and minimizing our environmental impact are traditional values that continue to shape our product design philosophy.

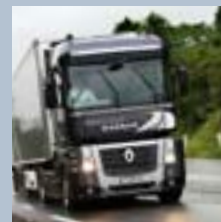
We're on your side

We back the Volvo brand with the best people. Volvo is truly a global enterprise, one that is on standby to support customers quickly and efficiently – wherever they are.

We have a passion for performance.



Volvo Trucks



Renault Trucks



Mack Trucks



UD Trucks



Volvo Buses



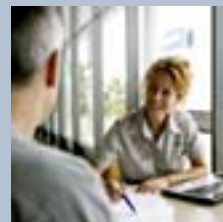
Volvo Construction Equipment



Volvo Penta



Volvo Aero



Volvo Financial Services

SEE IT ALL. DO IT ALL.



When you are working comfortably, long work shifts go by quickly. You see everything clearly. Everything seems easier and you get more accomplished. That is the goal every day. Do it with Volvo.



Volvo care cab

All-day cab comfort is yours with Volvo. Expect an excellent operator environment and take command in all-around quality and ergonomic comfort. A comfortable seat, ideally-placed controls, excellent visibility and plenty of cab room. It all adds up to greater productivity, day after day.



Color I-ECU monitor

Operators always know exactly where their machine stands from a diagnostic point of view with the color I-ECU monitor. It's clear and easy to read, in all light conditions, for visual status checks. Its position from left to right is adjustable. A service mode allows engineers to perform quick diagnostic checks, helping to increase uptime and productivity. The monitor also permits rear view camera images to be displayed.

Console & switches

Everything you need is all in reach and view in the Volvo cab. The consoles and switches are conveniently located right where you want them, with your ergonomic comfort in mind. The consoles and switches are also built with quality for durability and long life.



Noise reduction

Excellent noise insulation and vibration dampening reduces fatigue and ensures high operator productivity all day long.

Viscous silicon rubber

The Volvo Care Cab is mounted on viscous, silicon rubber mounts. This system absorbs shocks, providing excellent comfort and greatly reducing whole body vibration. Also produces less noise, resulting in less fatigue and more comfort that leads to more all-day productivity.

ROPS

The cab features Roll Over Protective Structure (ROPS) safety certification. Provides more operator safety and peace-of-mind when operating in tough environments or in the event of the machine rolling over.

VOLVO STRENGTH IS BEHIND YOU.

Volvo engine

The new Volvo Tier 4i emissions compliant engine fully meets today's environmental requirements. Engine noise is also reduced.



Digging power

Excellent digging power performance allows for quick cycle times and efficient extraction of hard or compacted material.



Tractive force

Improved tractive force for excellent speed and traveling on inclines or difficult terrain.



Digging speed

Increased pump flow and 2-pump flow for bucket in, results in faster cycle times and higher productivity.



Mechanical variable width (EC480D only)

Better stability and protection from an additional 150 mm (5.9") width and 196 mm (7.7") of ground clearance, whilst bucket capacity can also be increased.



Boom float

With the float position it is possible to get the boom "floating" over the ground without any pressure in the boom cylinders. This feature is useful for grading/finishing operation and for grab working.



You think it and you act. The reaction time is instantaneous. From your mind to your hand, there is no hesitation. It's intuitive and it's the same in your Volvo Excavator. Move swiftly and dig in with powerful productivity.

TECHNOLOGY AT WORK FOR YOU.



Your excavator does much more than one task, and Volvo uses advanced technology to help you get the most out of each job. Pick the right work mode, settings and attachments. Multi-task, go for speed or handle heavy loads. It's your choice and you can do each with maximum efficiency.



Selection work mode

Four working modes allow the operator to select the most appropriate mode for the application at hand. Assures the right amount of performance, along with an efficient use of fuel to suit the task.

I (Idle) stages 1 and 2 (2 being the lowest) – reduces rpm during inactive periods. Can be deselected at the press of a switch.

F (Fine) stages 1, 2 and 3 – increased hydraulic pressure via continuous Power Boost for lifting.

G (General) stages 1, 2 and 3 (1 being the highest) – G1 = good productivity and fuel consumption.

H (Heavy) – high productivity and maximum performance for intensive bulk earthmoving.



Attachment management system

Permits storage of up to 18 different attachment presets. Enables hydraulic flow (standard) and pressure (optional) adjustments according to requirements. Operator can choose hydraulic settings that are 1-way, 2-way, push button, toggle or proportional (optional). Allows operators to quickly change attachments without the need for manual setup. This saves downtime and increases productivity. The system can be password protected to prevent possible misuse by operators or rental users with insufficient knowledge of using hydraulic attachments.

BUILT TO OUTLAST.

Undercarriage frame

Three-piece, high tensile steel undercarriage is built for durability to withstand the toughest conditions.

Gear box

Employs a 3-stage, planetary reduction gear. Automatic 2-speed track motors utilize durable covers with recessed bolts.

Top rollers

Forged steel and deep-hardened to ensure long-term durability.

Sprocket

Designed with high quality, heat-treated material for hardness and durability.

Track guards

Protects against track derailment. Two guards per track frame (standard) or full length track guards (optional).

Track shoes

Strong, durable and available in various widths to suit the application at hand.

Superstructure underside

Standard HD plates are hinged to provide not only excellent underside protection, but also safety for service personnel. All models benefit from bolt-head protection in the event of the underside being scraped.

Durability

Durability is built in, top to bottom, arm to counterweight. With Volvo, unforgiving conditions are no match.

Bottom rollers

Volvo forged steel bottom rollers are oil-lubricated with EP (Extreme Pressure) oil, ensuring high and consistent viscosity even under heavy loads and high shocks, and a reduced internal temperature.

Idler wear strip protection

Located on the inside and outside of the idler bracket, providing protection and long-term durability.





HD boom

HD booms are heavily reinforced in order to withstand high-impact materials such as blasted rock.

HD arm

High tensile steel arms feature strong welds, castings and forged bearings for severe-use durability.

Arm wear stripes

Long wear strips are welded to the inside of the arm, providing protection and durability.

Linkage yoke reinforcement

Incorporates a support bar for additional strength and durability. Extra assurance for severe applications.

Track chains

Volvo track links are deep-hardened, heat-treated, induction-hardened, heat-treated again and finally machined. Track link pins and bushings are grease lubricated with lithium based grease and sealed for life, thereby reducing maintenance and downtime. In addition, an M-type seal keeps grease inside the pin and bushing, whilst preventing the ingress of dirt/abrasive materials.

Idlers

Durable, hardened, large-radius fabricated idlers.

MORE UPTIME, IN REACH.

Volvo makes it easier for you to keep working. It starts with ease of serviceability. Compartments open easily, revealing grouped service points. It's in reach without having to climb all over the machine. It's designed to help you reach greater profits.

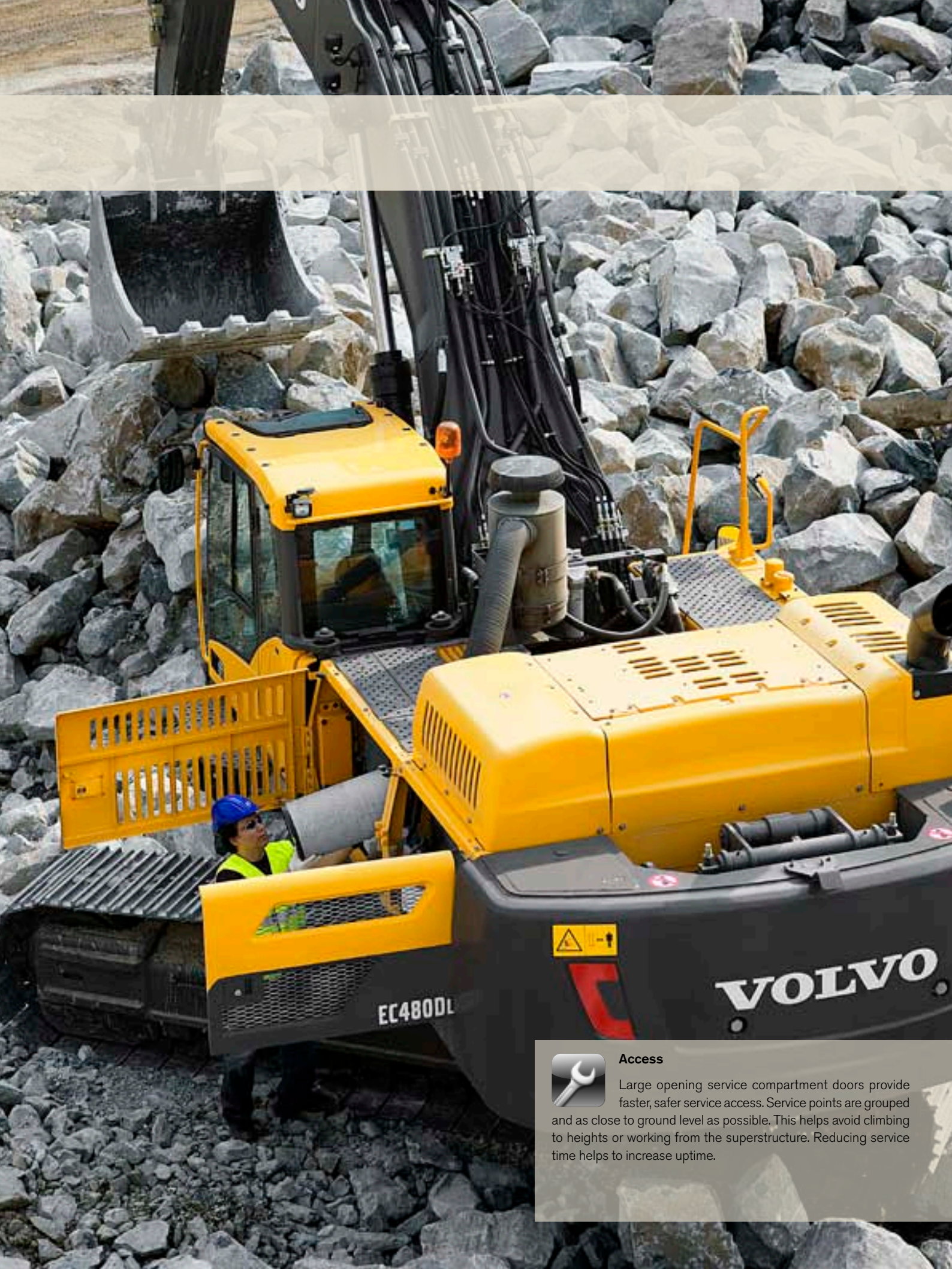


Grouped filters

A wide range of filter types are grouped together and accessible from ground level. This level of access makes daily checks and change outs quicker and easier, leading to more productivity. Easier access during service is also safer because the service engineer does not need to climb onto the superstructure.

Long life hydraulic oil

Thanks to the Volvo approved, long life hydraulic oil, service intervals are extended to 5000 hours, for less down time and higher productivity.



Access



Large opening service compartment doors provide faster, safer service access. Service points are grouped and as close to ground level as possible. This helps avoid climbing to heights or working from the superstructure. Reducing service time helps to increase uptime.

THE LOOK OF PRODUCTIVITY.

Working Modes

Four working modes to select the right mode and efficiency for the application at hand.

Attachment Management

Store up to 18 different password-protected attachment presets.

Boom Float

Lowers using only gravity, for more hydraulic flow availability and faster dig speed.





Care cab

The roomy Volvo cab has it all: clear visibility, ergonomic comfort and perfectly-placed controls.

ROPS Safety

More operator safety and peace-of-mind when operating.



Technology

Designed with intelligence to help you do a variety of tasks, from heavy to fine, with a wide range of tools.



Volvo Power

Dependable power with high torque at low RPM, along with low fuel consumption, emissions and noise.



Serviceability

Fast, easy service from grouped, ground-level access.



Durability

Built to outlast. Built for your work, through and through.

Tractive force

Travel on inclines or difficult terrain with excellent speed and tractive force.



TOP PERFORMANCE DESERVES SUPPORT.

The day you receive your new Volvo Excavator is just the start of your working relationship with Volvo. From service and maintenance to our CareTrack telematics system – Volvo has a comprehensive and sophisticated aftermarket portfolio to continuously add value to your business.

Volvo designed and built your machines, so no-one knows how to keep them working in top condition more than us. When it comes to your machine, our Volvo trained technicians are the experts.

Our technicians work with industry leading diagnostic tools and techniques, using only Genuine Volvo Parts to deliver the highest levels of quality and service. Talk to your Volvo dealer about how genuine Volvo services can best provide the service and maintenance plan that is the right fit for you and your business.



State-of-the-art machines require state-of-the-art support and your Volvo dealer can provide a catalogue of services designed to get the most out of your machine, helping you maximise uptime, productivity and residual value. Your Volvo dealer can provide a number of sophisticated support offers, including:

Service plans ranging from routine wear inspections, through to comprehensive maintenance and repair agreements.

Analysis and diagnostics to help you understand how your machine is running, highlight potential maintenance issues and identify where performance can be improved.

Eco Operator training courses can help your operators work towards a safer, more productive and fuel efficient performance.



CareTrack*

Each Volvo Excavator comes standard equipped with CareTrack, the Volvo telematics system. CareTrack provides information for better planning and smarter working; including fuel consumption reports, location reports and service reminders. Save fuel. Reduce costs. Maximise profitability. You can with CareTrack.

*In markets where CareTrack is available

VOLVO EC340D, EC380D, EC480D IN DETAIL.

Engine

The latest generation, Volvo engine Tier 4i emission compliant diesel engine fully meets the demands of the latest, emission regulations. Featuring Volvo Advanced Combustion Technology (V-ACT), it is designed to deliver superior performance and fuel efficiency. The engine uses precise, highpressure fuel injectors, variable geometry turbo charger and air-to-air intercooler, and electronic engine controls to optimize machine performance.

Air Filter: 3-stage with precleaner.

Automatic Idling System: Reduces engine speed to idle when the levers and pedals are not activated resulting in less fuel consumption and low cab noise levels.

Low-Emission Engine.

EC340D

Engine	Volvo	D13H
Max power at	r/s / r/min	28 / 1 700
Net, ISO 9249/SAE J1349	kW / hp	208 / 279
Gross, ISO 14396/SAE J1995	kW / hp	215 / 288
Max torque at	Nm / r/min	1 580 / 1 300
	lb.ft	1,165
No. of cylinders		6
Displacement	l / cu.in	12.8 / 781
Bore	mm / "	131 / 5.16
Stroke	mm / "	158 / 6.22

EC380D

Engine	Volvo	D13H
Max power at	r/s / r/min	28 / 1 700
Net, ISO 9249/SAE J1349	kW / hp	208 / 279
Gross, ISO 14396/SAE J1995	kW / hp	215 / 288
Max torque at	Nm / r/min	1 580 / 1 300
	lb.ft	1,165
No. of cylinders		6
Displacement	l / cu.in	12.8 / 781
Bore	mm / "	131 / 5.16
Stroke	mm / "	158 / 6.22

EC480D

Engine	Volvo	D13H
Max power at	r/s / r/min	30 / 1800
Net, ISO 9249/SAE J1349	kW / hp	256 / 343
Gross, ISO 14396/SAE J1995	kW / hp	265 / 355
Max torque at	Nm / r/min	1 800 / 1 400
	lb.ft	1,328
No. of cylinders		6
Displacement	l / cu.in	12.8 / 781
Bore	mm / "	131 / 5.16
Stroke	mm / "	158 / 6.22

Electrical system

High-capacity electrical system that is well protected. Waterproof double-lock harness plugs are used to secure corrosion-free connections. The main relays and solenoid valves are shielded to prevent damage. The master switch is standard.

Contronics provides advanced monitoring of machine functions and important diagnostic information.

	EC340D	EC380D	EC480D
Voltage	V	24	
Batteries	V	2 x 12	
Battery capacity	Ah	200	
Alternator	V / Ah	28 / 80	

Swing system

The swing system uses an axial piston motors, driving a planetary gearbox for maximum torque. An automatic holding brake and anti-rebound valve are standard.

Max. slew speed	r/min	10.2	10.2	8.8
Max. slew torque	kNm	119.0	130.5	166.3
	lb.ft	87,770	96,250	12,2660

Drive

Each track is powered by an automatic two-speed shift travel motor. The track brakes are multi-disc, spring-applied and hydraulic released. The travel motor, brake and planetary gears are well protected within the track frame.

Max. drawbar pull	kN	276.5	276.5	333
	lb	62,170	62,170	74,870
Max. travel speed	km/h	3.4/5.3	3.4/5.3	3.1/5.2
	mph	2.1/3.3	2.1/3.3	1.9/3.2
Gradeability	°	35	35	35

Undercarriage

The undercarriage has a robust X-shaped frame. Greased and sealed track chains are standard.

Track pads		2 x 48	2 x 50	2 x 52
Link pitch	mm	215.9	215.9	215.9
	in	8.5	8.5	8.5
Shoe width, triple grouser	mm	600/700/800/900		
	in	24/28/32/36		
Shoe width, double grouser	mm	600	600	600
	in	24	24	24
Bottom rollers		2 x 8	2 x 9	2 x 9
Top rollers		2 x 2	2 x 2	2 x 2

Hydraulic system

The hydraulic system, also known as the “Automatic Sensing Work Mode” is designed for high-productivity, high-digging capacity, high-maneuvering precision and excellent fuel economy. The summation system, boom, arm, bucket and swing priority along with boom and arm regeneration provides optimum performance.

The following important functions are included in the system:

Summation system: Combines the flow of both hydraulic pumps to ensure quick cycle times and high productivity.

Boom priority: Gives priority to the boom operation for faster raising when loading or performing deep excavations.

Arm priority: Gives priority to the arm operation for faster cycle times in leveling and for increased bucket filling when digging.

Swing priority: Gives priority to swing functions for faster simultaneous operations.

Regeneration system: Prevents cavitation and provides flow to other movements during simultaneous operations for maximum productivity.

Power boost: All digging and lifting forces are increased.

Holding valves: Boom and arm holding valves prevent the digging equipment from creeping.

		EC340D	EC380D	EC480D
Main pump, Type 2 x variable displacement axial piston pumps				
Maximum flow	l/min	2 x 300	2 x 300	2 x 358
	gpm	2 x 79	2 x 79	2 x 95
Pilot pump, Type Gear pump				
Maximum flow	l/min	30.0	30.0	32
	gpm	7.9	7.9	8.4

Hydraulic motors

		EC340D	EC380D	EC480D
Travel: Variable displacement axial piston motor with mechanical brake				
Slew: Fixed displacement axial piston motor with mechanical brake				
Relief valve setting				
Implement	MPa	32.4/35.3	32.4/35.3	32.4/35.3
	psi	4,690/5,120	4,690/5,120	4,690/5,120
Travel circuit	MPa	35.3	35.3	32.4
	psi	5,120	5,120	4,699
Slew circuit	MPa	25.5	27.9	25.8
	psi	3,700	4,050	3,740
Pilot circuit	MPa	3.9	3.9	3.9
	psi	570	570	570

Hydraulic cylinders

		EC340D	EC380D	EC480D
Mono boom				
Bore x Stroke	ø x mm	160 x 1 530	160 x 1 530	165 x 1 590
	ø x in	6.3 x 60.2	6.3 x 60.2	6.5 x 62.6
Arm				
Bore x Stroke	ø x mm	175 x 1 700	175 x 1 700	190 x 1 850
	ø x in	6.9 x 66.9	6.9 x 66.9	7.5 x 72.8
Bucket				
Bore x Stroke	ø x mm	145 x 1 285	145 x 1 285	165 x 1 335
	ø x in	5.7 x 50.6	5.7 x 50.6	6.5 x 52.6
ME Bucket				
Bore x Stroke	ø x mm	160 x 1 250	160 x 1 250	175 x 1 335
	ø x in	6.3 x 49.2	6.3 x 49.2	6.9 x 52.6

Service refill capacities

Fuel tank	l	620	620	685
	gal	164	164	181
Hydraulic system, total	l	500	500	525
	gal	132	132	139
Hydraulic tank	l	220	220	270
	gal	58	58	71
Engine oil	l	42	42	42
	gal	11	11	11
Engine coolant	l	60	60	60
	gal	16	16	16
Slew reduction unit	l	6	6.5	2 x 6
	gal	1.6	1.7	2 x 1.6
Travel reduction unit	l	2 x 6.8	2 x 6.8	2 x 8
	gal	2 x 1.8	2 x 1.8	2 x 2.1

Cab

Integrated air-conditioning and heating system:

The pressurized and filtered cab air is supplied by an automatically-controlled fan. The air is distributed throughout the cab from 14 vents.

Ergonomic operator's seat: The adjustable seat and joystick console move independently to accommodate the operator.

The seat has nine different adjustments plus a seat belt for the operator's comfort and safety.

Sound level

		EC340D	EC380D	EC480D
Sound level in cab according to ISO 6396				
LpA	dB(A)	71	71	71
External sound level according to ISO 6395 and EU Noise Directive (2000/14/EC) and 474-1:2006 +A1:2009				
LwA	dB(A)	105	105	106

SPECIFICATIONS.

VOLVO BUCKETS

Loose soil, re-handling material or abrasive rock; excavators and attachments work hand in hand to move almost any type of material. Volvo's experience together with excavator and attachment technology ensures a reduction in cycle times, increased productivity and lower fuel costs through higher breakout forces and quicker bucket fill times.

The efficiency of any type of excavation depends upon the selection of the right bucket therefore a broad bucket offering available from the same retailer as your excavator means the machine can be easily adjusted to operate in any conditions.

As the technology and experience in design for both Volvo's attachments and excavators stems from the same origin, availing from another service like Volvo's aftermarket support ensures the machine is running harder for longer.



(GP) General purpose bucket

Designed for digging and re-handling soft to medium materials e.g. soils with low wear characteristics. the GP bucket has anti-abrasive side cutters, a hardened lip plate and self-sharpening bucket teeth.

(HD) Heavy-duty bucket

Intended for digging in dense materials such as hard packed clay and gravel. The HD bucket has heavier overall fabrication with a thicker side cutting edge and hardened plating on all critical ground-engaging areas.

(RK) Rock bucket

Together with harder and thicker plating on all critical leading edges the rock bucket provides digging performance in soils with a high degree of rock content and well blasted rock.

(ES) Extreme service bucket

Provides additional wear protection for use in high impact or wearing applications. Inner protection and D edge as standard.

(FD) Fixed ditching bucket

A wide face, round profile and drain holes make the FD bucket ideal for ditch cleaning or removal of other soft material. An inner stiffener and optional bolt-on cutting edge bolster performance.

VOLVO TOOTH SYSTEM



Self-Sharpening Tooth System Cuts Through the Toughest Jobs

Volvo perfects the excavator bucket's point of attack with a robust tooth system that delivers performance and long life. Cast and tempered from a high-strength alloy, Volvo teeth resist stress and deliver optimum penetration in hard or abrasive material. An innovative design lessens internal wear between tooth and adapter — and makes it easy to change teeth.

LOCKING DEVICE

Patented vertical locking device. The steel pin with flexible lock retainer tightly secures the tooth to the adapter. Smart design transfers working stresses away from the locking device, saving wear on the steel pin and extending pin life. Self-sharpening Volvo teeth are designed for a small penetration area, which reduces stress and wear at the point of contact.

GPE

Self-sharpening general-purpose tooth with good penetration and long service life.

AMRE

Self-sharpening tooth resists wear in rock and other abrasive materials.

PPE

Pick-point excavator tooth delivers maximum penetration in hard clay or frozen ground.

SNE

Spade nose tooth is designed for finishing work such as leveling, grading, cleaning & backfilling.

TPE

Twin pick point with sharp, dual-point profile is ideal for compact or frozen ground.

Wear Cap & BL Adapter

The wear cap protects the adapter from unnecessary wear.

BL: 11/2 bottom leg adapter for welding to both sides of the cutting edge

MAXIMUM PERMITTED BUCKETS

EC340DL with 7 000kg (15,440 lb) counterweight

Boom	m	6.2 ME				6.45				
	in	20'4"				21'2"				
Arm	m	2.6 ME		2.6		3.2		3.9		
	in	8'6"		8'6"		10'6"		12'10"		
Max. bucket		liter	yd ³	liter	yd ³	liter	yd ³	liter	yd ³	
GP bucket 1.5 t/m ³ (2,530 lb/yd ³)		2 450	3.20	2 350	3.07	2 175	2.84	1 925	2.52	
GP bucket 1.8 t/m ³ (3,030 lb/yd ³)		2 175	2.84	2 075	2.71	1 925	2.52	1 700	2.22	
HD bucket 1.8 t/m ³ (3,030 lb/yd ³)		2 050	2.68	1 975	2.58	1 825	2.39	1 625	2.13	
HD bucket 2.0 t/m ³ (3,370 lb/yd ³)		1 925	2.52	1 850	2.42	1 700	2.22	1 500	1.96	
• EC340DL with direct fit bucket										
GP bucket 1.5 t/m ³ (2,530 lb/yd ³)		2 275	2.98	2 175	2.84	2 000	2.62	1 750	2.29	
GP bucket 1.8 t/m ³ (3,030 lb/yd ³)		2 025	2.65	1 925	2.52	1 775	2.32	1 550	2.03	
HD bucket 1.8 t/m ³ (3,030 lb/yd ³)		1 900	2.49	1 825	2.39	1 675	2.19	1 475	1.93	
HD bucket 2.0 t/m ³ (3,370 lb/yd ³)		1 775	2.42	1 700	2.22	1 575	2.06	1 375	1.80	
• EC340DL with S quick coupler bucket										
GP bucket 1.5 t/m ³ (2,530 lb/yd ³)		2 100	2.75	2 000	2.62	1 825	2.39	1 575	2.06	
GP bucket 1.8 t/m ³ (3,030 lb/yd ³)		1 875	2.45	1 775	2.32	1 625	2.13	1 400	1.83	
HD bucket 1.8 t/m ³ (3,030 lb/yd ³)		1 775	2.32	1 675	2.19	1 525	1.99	1 325	1.73	
HD bucket 2.0 t/m ³ (3,370 lb/yd ³)		1 650	2.16	1 550	2.03	1 425	1.86	1 225	1.60	
• EC340DL with U quick coupler bucket										

EC380DL with 7 550kg (16,650 lb) counterweight

Boom	m	6.2 ME				6.45				
	in	20'4"				21'2"				
Arm	m	2.6 ME		2.6		3.2		3.9		
	in	8'6"		8'6"		10'6"		12'10"		
Max. bucket		liter	yd ³	liter	yd ³	liter	yd ³	liter	yd ³	
GP bucket 1.5 t/m ³ (2,530 lb/yd ³)		2 775	3.63	2 775	3.63	2 550	3.34	2 300	3.01	
GP bucket 1.8 t/m ³ (3,030 lb/yd ³)		2 450	3.20	2 450	3.20	2 250	2.94	2 050	2.68	
HD bucket 1.8 t/m ³ (3,030 lb/yd ³)		2 325	3.04	2 325	3.04	2 125	2.78	1 925	2.52	
HD bucket 2.0 t/m ³ (3,370 lb/yd ³)		2 175	2.84	2 175	2.84	2 000	2.62	1 800	2.35	
• EC380DL with direct fit bucket										
GP bucket 1.5 t/m ³ (2,530 lb/yd ³)		2 600	3.40	2 600	3.40	2 350	3.07	2 125	2.78	
GP bucket 1.8 t/m ³ (3,030 lb/yd ³)		2 300	3.01	2 300	3.01	2 100	2.75	1 875	2.45	
HD bucket 1.8 t/m ³ (3,030 lb/yd ³)		2 175	2.84	2 175	2.84	1 975	2.58	1 775	2.32	
HD bucket 2.0 t/m ³ (3,370 lb/yd ³)		2 025	2.65	2 025	2.65	1 850	2.42	1 675	2.19	
• EC380DL with S quick coupler bucket										
GP bucket 1.5 t/m ³ (2,530 lb/yd ³)		2 425	3.17	2 425	3.17	2 200	2.88	1 950	2.55	
GP bucket 1.8 t/m ³ (3,030 lb/yd ³)		2 150	2.81	2 150	2.81	1 950	2.55	1 725	2.26	
HD bucket 1.8 t/m ³ (3,030 lb/yd ³)		2 025	2.65	2 025	2.65	1 825	2.39	1 650	2.16	
HD bucket 2.0 t/m ³ (3,370 lb/yd ³)		1 900	2.49	1 900	2.49	1 700	2.22	1 525	1.99	
• EC380DL with U quick coupler bucket										

EC480DL fixed undercarriage with 9 750kg (21,500 lb) counterweight

Boom	m	6.5 ME				7.0					
	in	21'4"				23'					
Arm	m	2.55 ME		2.55		3.35		3.9		4.8	
	in	8'4"		8'4"		11'		12'10"		15'9"	
Max. bucket		liter	yd ³	liter	yd ³	liter	yd ³	liter	yd ³	liter	yd ³
GP bucket 1.5 t/m ³ (2,530 lb/yd ³)		3 500	4.58	3 300	4.32	2 950	3.86	2 750	3.60	2 450	3.20
GP bucket 1.8 t/m ³ (3,030 lb/yd ³)		3 100	4.05	2 925	3.83	2 600	3.40	2 450	3.20	2 175	2.84
HD bucket 1.8 t/m ³ (3,030 lb/yd ³)		2 925	3.83	2 775	3.63	2 475	3.24	2 300	3.01	2 050	2.68
HD bucket 2.0 t/m ³ (3,370 lb/yd ³)		2 750	3.60	2 600	3.40	2 300	3.01	2 150	2.81	1 925	2.52
• EC480DL with direct fit bucket											
GP bucket 1.5 t/m ³ (2,530 lb/yd ³)		3 325	4.35	3 125	4.09	2 750	3.60	2 575	3.37	2 275	2.98
GP bucket 1.8 t/m ³ (3,030 lb/yd ³)		2 950	3.86	2 775	3.63	2 450	3.20	2 275	2.98	2 025	2.65
HD bucket 1.8 t/m ³ (3,030 lb/yd ³)		2 775	3.63	2 625	3.43	2 325	3.04	2 150	2.81	1 900	2.49
HD bucket 2.0 t/m ³ (3,370 lb/yd ³)		2 600	3.40	2 450	3.20	2 150	2.81	2 000	2.62	1 775	2.32
• EC480DL with S quick coupler bucket											
GP bucket 1.5 t/m ³ (2,530 lb/yd ³)		3 150	4.12	2 950	3.86	2 600	3.40	2 400	3.14	2 100	2.75
GP bucket 1.8 t/m ³ (3,030 lb/yd ³)		2 800	3.66	2 625	3.43	2 300	3.01	2 125	2.78	1 875	2.45
HD bucket 1.8 t/m ³ (3,030 lb/yd ³)		2 650	3.47	2 475	3.24	2 175	2.84	2 025	2.65	1 775	2.32
HD bucket 2.0 t/m ³ (3,370 lb/yd ³)		2 450	3.20	2 300	3.01	2 025	2.65	1 875	2.45	1 650	2.16
• EC480DL with U quick coupler bucket											

EC480DL RETRACTABLE undercarriage with 9 750kg (21,500 lb) counterweight

Boom	m	6.5 ME				7.0					
	in	21'4"				23'					
Arm	m	2.55 ME		2.55		3.35		3.9		4.8	
	in	8'4"		8'4"		11'		12'10"		15'9"	
Max. bucket		liter	yd ³	liter	yd ³	liter	yd ³	liter	yd ³	liter	yd ³
GP bucket 1.5 t/m ³ (2,530 lb/yd ³)		3 800	4.97	3 525	4.61	3 150	4.12	2 975	3.89	2 625	3.43
GP bucket 1.8 t/m ³ (3,030 lb/yd ³)		3 375	4.41	3 125	4.09	2 800	3.66	2 625	3.43	2 325	3.04
HD bucket 1.8 t/m ³ (3,030 lb/yd ³)		3 175	4.15	2 950	3.86	2 600	3.47	2 500	3.27	2 200	2.88
HD bucket 2.0 t/m ³ (3,370 lb/yd ³)		2 975	3.89	2 750	3.60	2 475	3.24	2 325	3.04	2 050	2.68
• EC480DL RETRACTABLE undercarriage with direct fit bucket											
GP bucket 1.5 t/m ³ (2,530 lb/yd ³)		3 625	4.74	3 325	4.35	2 975	3.89	2 775	3.63	2 450	3.20
GP bucket 1.8 t/m ³ (3,030 lb/yd ³)		3 200	4.19	2 950	3.86	2 625	3.43	2 475	3.24	2 175	2.84
HD bucket 1.8 t/m ³ (3,030 lb/yd ³)		3 025	3.96	2 800	3.66	2 500	3.27	2 325	3.04	2 050	2.68
HD bucket 2.0 t/m ³ (3,370 lb/yd ³)		2 825	3.70	2 600	3.40	2 325	3.04	2 175	2.84	1 900	2.49
• EC480DL RETRACTABLE undercarriage with S quick coupler bucket											
GP bucket 1.5 t/m ³ (2,530 lb/yd ³)		3 450	4.51	3 175	4.15	2 800	3.66	2 625	3.43	2 275	2.98
GP bucket 1.8 t/m ³ (3,030 lb/yd ³)		3 050	3.99	2 800	3.66	2 475	3.24	2 325	3.04	2 025	2.65
HD bucket 1.8 t/m ³ (3,030 lb/yd ³)		2 900	3.79	2 650	3.47	2 350	3.07	2 200	2.88	1 900	2.49
HD bucket 2.0 t/m ³ (3,370 lb/yd ³)		2 700	3.53	2 475	3.24	2 200	2.88	2 050	2.68	1 775	2.32
• EC480DL RETRACTABLE undercarriage with U quick coupler bucket											

Note: 1. Bucket size based on ISO 7451, heaped material with a 1:1 angle of repose.

2. *Max permitted sizes* are for reference only and are not necessarily available from the factory.

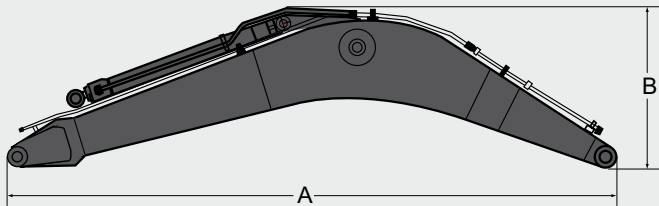
SPECIFICATIONS.

GROUND PRESSURE

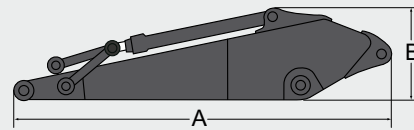
EC340DL																
Description	Shoe width		Operating weight		Ground pressure		Operating weight		Ground pressure		Operating weight		Ground pressure		Overall width	
Triple grouser	600	mm	34 130	kg	64.3	kPa	35 030	kg	66.0	kPa	35 580	kg	67.0	kPa	3 190	mm
	24	in	75,260	lb	9.3	psi	77,240	lb	9.6	psi	78,450	lb	9.7	psi	10'6"	in
	700	mm	34 770	kg	56.1	kPa	35 670	kg	57.5	kPa	36 220	kg	58.4	kPa	3 290	mm
	28	in	76,670	lb	8.1	psi	78,650	lb	8.3	psi	79,870	lb	8.5	psi	10'10"	in
	800	mm	35 170	kg	49.6	kPa	36 070	kg	50.9	kPa	36 620	kg	51.7	kPa	3 390	mm
	32	in	77,550	lb	7.2	psi	79,530	lb	7.4	psi	80,750	lb	7.5	psi	11'1"	in
	900	mm	35 550	kg	44.6	kPa	36 450	kg	45.7	kPa	37 000	kg	46.4	kPa	3 490	mm
Double grouser	36	in	78,390	lb	6.5	psi	80,370	lb	6.6	psi	81 590	lb	6.7	psi	11'5"	in
	600	mm	34 670	kg	65.2	kPa	35 570	kg	66.9	kPa	36 120	kg	67.9	kPa	3 190	mm
	24	in	76,450	lb	9.5	psi	78,430	lb	9.7	psi	79,640	lb	9.8	psi	10'6"	in
			EC340D with LC undercarriage, 6,45m/21'2" boom, 3,2m/10'6" arm, 1110kg/ 2450 lb bucket, 5800kg/12790 lb counterweight (STD)				EC340D with LC undercarriage, 6,45m/21'2" boom, 3,2m/10'6" arm, 1110kg/2450 lb bucket, 6500kg/ 14330 lb counterweight (STD)				EC340D with LC undercarriage, 6,45m/21'2" boom, 3,2m/10'6" arm, 1110kg/ 2450 lb bucket, 7000kg/ 15440 lb counterweight (STD)					
EC380DL																
Triple grouser	600	mm	37 750	kg	67.6	kPa	38 300	kg	68.6	kPa	38 800	kg	69.5	kPa	3 340	mm
	24	in	83 240	lb	150	psi	84 450	lb	150	psi	85 550	lb	150	psi	10'11"	in
	700	mm	38 250	kg	58.8	kPa	38 790	kg	59.8	kPa	39 300	kg	60.8	kPa	3 440	mm
	28	in	84 340	lb	130	psi	85 530	lb	130	psi	86 660	lb	130	psi	11'3"	in
	800	mm	38 650	kg	52.0	kPa	39 220	kg	53.0	kPa	39 700	kg	53.9	kPa	3 540	mm
	32	in	85 220	lb	110	psi	86 480	lb	120	psi	87 540	lb	120	psi	11'7"	in
	900	mm	39 150	kg	47.1	kPa	39 660	kg	48.1	kPa	40 200	kg	48.1	kPa	3 640	mm
Double grouser	36	in	86 330	lb	100	psi	87 450	lb	110	psi	88 640	lb	110	psi	11'11"	in
	600	mm	37 950	kg	68.6	kPa	38 460	kg	69.6	kPa	39 000	kg	70.6	kPa	3 340	mm
	24	in	83 680	lb	150	psi	84 800	lb	150	psi	86 000	lb	160	psi	10'11"	in
			EC380D with LC undercarriage 6,45m/21'2" boom, 3,2m/10'6" arm, 1460kg/3220 lb bucket, 6500kg/14330 lb counterweight (STD)				EC380D with LC undercarriage, 6,45m/21'2" boom, 3,2m/10'6" arm, 1460kg/3220 lb bucket, 7000kg/15440 lb counterweight (STD)				EC380D with LC undercarriage, 6,45m/21'2" boom, 3,2m/10'6" arm, 1460kg/3220 lb bucket, 7550kg/16650 lb counterweight (STD)					
EC480DL with FIXED undercarriage																
Triple grouser	600	mm	47 900	kg	83.4	kPa	47 400	kg	82.4	kPa	48 100	kg	83.4	kPa	3 340	mm
	24	in	105,620	lb	12.1	psi	104,520	lb	12.0	psi	106,060	lb	12.1	psi	10'11"	in
	700	mm	48 400	kg	72.6	kPa	47 900	kg	71.6	kPa	48 600	kg	72.6	kPa	3 440	mm
	28	in	106,720	lb	10.5	psi	105,620	lb	10.4	psi	107,160	lb	10.5	psi	11'3"	in
	800	mm	48 900	kg	63.7	kPa	48 400	kg	63.7	kPa	49 100	kg	63.7	kPa	3 540	mm
	32	in	107,820	lb	9.2	psi	106,720	lb	9.2	psi	108,270	lb	9.2	psi	11'7"	in
	900	mm	49 500	kg	57.9	kPa	49 000	kg	56.9	kPa	49 600	kg	57.9	kPa	3 640	mm
Double grouser	36	in	109,150	lb	8.4	psi	108,050	lb	8.3	psi	109,370	lb	8.4	psi	11'11"	in
	600	mm	48 000	kg	83.4	kPa	47 500	kg	82.4	kPa	48 200	kg	83.4	kPa	3 340	mm
	24	in	105,840	lb	12.1	psi	104,740	lb	12.0	psi	106,280	lb	12.1	psi	10'11"	in
			EC480D with FIXED undercarriage, 7,0m (23') boom, 3,35m (11') arm, 1730 kg (3810 lb) bucket, 8450 kg (18630 lb) counterweight				EC480D with FIXED undercarriage, 7,0m (23') boom, 3,35 m (11') arm, 2020 kg (4450 lb) bucket, 9050 kg (19960 lb) counterweight				EC480D with FIXED undercarriage, 7,0m (23') boom, 3,35 m (11') arm, 1730 kg (3810 lb) bucket, 9750 kg (21500 lb) counterweight					
EC480DL with RETRACTABLE undercarriage																
Triple grouser	600	mm	47 900	kg	83.4	kPa	48 500	kg	84.3	kPa	49 200	kg	85.3	kPa	3 490	mm
	24	in	105,620	lb	12.1	psi	106,940	lb	12.2	psi	108,490	lb	12.4	psi	11'5"	in
	700	mm	48 300	kg	72.6	kPa	48 900	kg	72.6	kPa	49 600	kg	74.5	kPa	3 590	mm
	28	in	106,500	lb	10.4	psi	107,820	lb	10.5	psi	109,370	lb	10.8	psi	11'9"	in
	800	mm	48 900	kg	63.7	kPa	49 500	kg	64.7	kPa	50 200	kg	65.7	kPa	3 690	mm
	32	in	107,820	lb	9.2	psi	109,150	lb	9.4	psi	110,690	lb	9.5	psi	12'1"	in
	900	mm	49 400	kg	57.9	kPa	50 000	kg	57.9	kPa	50 700	kg	58.8	kPa	3 790	mm
Double grouser	36	in	108,930	lb	8.2	psi	110,250	lb	8.4	psi	111,790	lb	8.5	psi	12'5"	in
	600	mm	48 000	kg	83.4	kPa	48 600	kg	84.3	kPa	49 300	kg	85.3	kPa	3 490	mm
	24	in	105,840	lb	12.1	psi	107,160	lb	12.2	psi	108,710	lb	12.4	psi	11'5"	in
			EC480D with RETRACTABLE undercarriage, 7 m (23') boom, 3,35 m (11') arm, 1730 kg (3810 lb) bucket, 8450 kg (18630 lb) counterweight				EC480D with RETRACTABLE undercarriage, 7m (23') boom, 3,35 m (11') arm, 2020 kg (4450 lb) bucket, 9050 kg (19960 lb) counterweight				EC480D with RETRACTABLE undercarriage, 7m (23') boom, 3,35 m (11') arm, 1730 kg (3810 lb) bucket, 9750 kg (21500 lb) counterweight					

DIMENSIONS

Boom



Arm



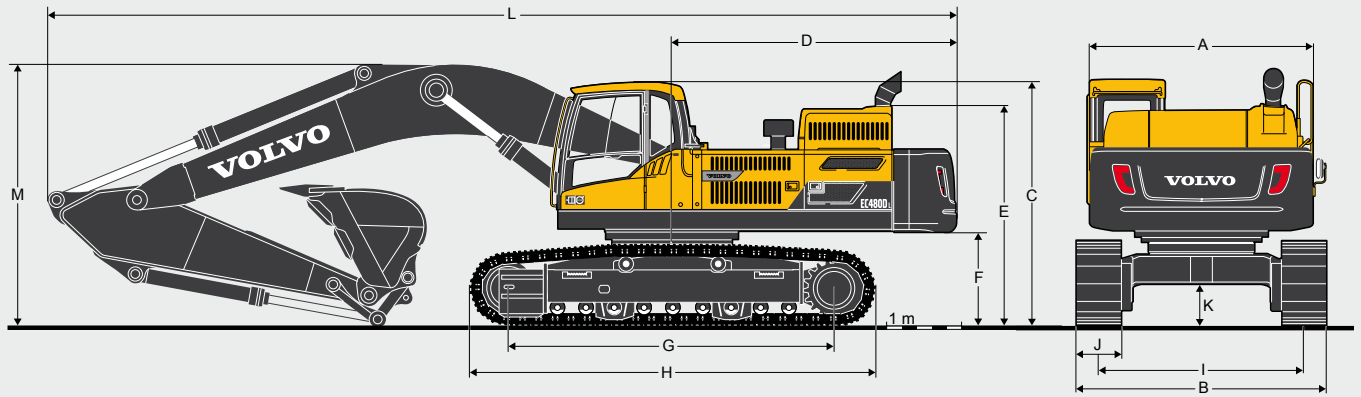
		EC340DL		EC380DL		EC480DL				EC340DL		EC380DL		EC480DL					
Description	Unit							Description	Unit										
Boom	m	6.2 ME	6.45	6.2 ME	6.45	6.5 ME	7.0	Arm	m	2.6	3.2	3.9	2.6	3.2	3.9	2.55	3.35	3.9	4.8
	in	20'4"	21'2"	20'4"	21'2"	21'4"	23'		in	8'6"	10'6"	12'10"	8'6"	10'6"	12'10"	8'4"	11'	12'10"	15'9"
Length	mm	6 460	6 700	6 460	6 700	6 750	7 250	Length	mm	3 780	4 360	5 080	3 780	4 360	5 080	3 770	4 590	5 140	6 100
	in	21'2"	22'	21'2"	22'	22'2"	23'9"		in	12'5"	14'4"	16'8"	12'5"	14'4"	16'8"	12'4"	15'1"	16'10"	20'0"
Height	mm	1 740	1 800	1 740	1 800	2 000	1 840	Height	mm	1 145	1 146	1 140	1 145	1 146	1 140	1 235	1 235	1 240	1 250
	in	5'9"	5'11"	5'9"	5'11"	6'7"	6'		in	3'9"	3'9"	3'9"	3'9"	3'9"	3'9"	4'1"	4'1"	4'1"	4'1"
Width	mm	820	820	820	820	960	960	Width	mm	560	560	560	560	560	560	600	600	600	600
	in	2'8"	2'8"	2'8"	2'8"	3'2"	3'2"		in	1'10"	1'10"	1'10"	1'10"	1'10"	1'10"	2'	2'	2'	2'
Weight	kg	3 353	3 146	3 353	3 346	4 127	4 176	Weight	kg	2 049	2 053	2 300	2 049	2 180	2 300	2 331	2 579	2 582	2 726
	lb	7,390	6,940	7,390	7,380	9,100	9,210		lb	4,520	4,530	5,070	4,520	4,810	5,070	5,140	5,690	5,690	6,010

*Includes arm cylinder, piping and pin

*Includes bucket cylinder, linkage and pin

SPECIFICATIONS.

DIMENSIONS

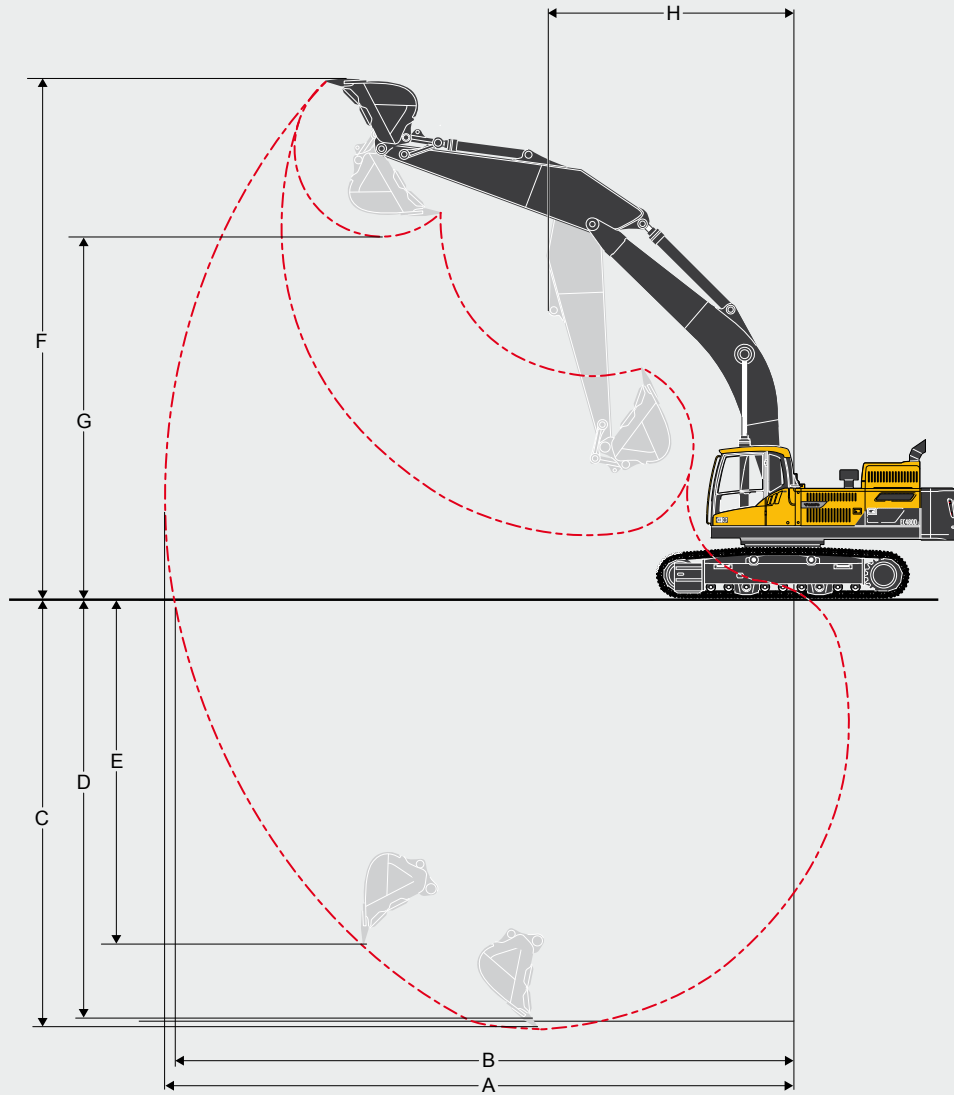


Description	Unit	EC340DL								EC380DL									
Boom	m, ft-in	6.2 ME	20'4"	6.45/21'2"								6.2 ME 20'4"							
Arm	m, ft-in	2.6	8'6"	2.6	8'6"	3.2	10'6"	3.9	12'10"	2.6	8'6"	2.6	8'6"	3.2	10'6"	3.9	12'10"		
A. Overall width of upper structure	mm, ft-in	2 990	9'10"	2 990	9'10"	2 990	9'10"	2 990	9'10"	2 990	9'10"	2 990	9'10"	2 990	9'10"	2 990	9'10"		
B. Overall width	mm, ft-in	3 390	11'1"	3 390	11'1"	3 390	11'1"	3 390	11'1"	3 540	11'7"	3 540	11'7"	3 540	11'7"	3 540	11'7"		
C. Overall height of cab	mm, ft-in	3 225	10'7"	3 225	10'7"	3 225	10'7"	3 225	10'7"	3 225	10'7"	3 225	10'7"	3 225	10'7"	3 225	10'7"		
D. Tail swing radius	mm, ft-in	3 560	11'8"	3 560	11'8"	3 560	11'8"	3 560	11'8"	3 560	11'8"	3 560	11'8"	3 560	11'8"	3 560	11'8"		
E. Overall height of engine hood	mm, ft-in	2 900	9'6"	2 900	9'6"	2 900	9'6"	2 900	9'6"	2 900	9'6"	2 900	9'6"	2 900	9'6"	2 900	9'6"		
F. Counterweight clearance*	mm, ft-in	1 210	4'	1 210	4'	1 210	4'	1 210	4'	1 210	4'	1 210	4'	1 210	4'	1 210	4'		
G. Tumbler length	mm, ft-in	4 240	13'11"	4 240	13'11"	4 240	13'11"	4 240	13'11"	4 240	13'11"	4 240	13'11"	4 240	13'11"	4 240	13'11"		
H. Track length	mm, ft-in	4 960	16'3"	4 960	16'3"	4 960	16'3"	4 960	16'3"	5 180	17'	5 180	17'	5 180	17'	5 180	17'		
I. Track gauge	mm, ft-in	2 590	8'6"	2 590	8'6"	2 590	8'6"	2 590	8'6"	2 740	9'	2 740	9'	2 740	9'	2 740	9'		
J. Shoe width	mm, ft-in	800	32"	800	32"	800	32"	800	32"	800	32"	800	32"	800	32"	800	32"		
K. Min. ground clearance*	mm, ft-in	536	1'9"	536	1'9"	536	1'9"	536	1'9"	530	1'9"	530	1'9"	530	1'9"	530	1'9"		
L. Overall length	mm, ft-in	11 020	36'2"	11 270	37'11"	11 190	36'9"	11 240	36'11"	11 020	36'2"	11 280	37'0"	10 940	35'11"	11 220	36'10"		
M. Overall height of boom	mm, ft-in	3 510	11'6"	3 460	11'4"	3 210	10'6"	3 480	11'5"	3 510	11'6"	3 530	11'7"	3 280	10'9"	3 470	11'5"		

Description	Unit	EC480DL fixed undercarriage								EC480DL retractable undercarriage											
Boom	m, ft-in	6.5 ME	21'4"	7/23'								6.5 21'4"									
Arm	m, ft-in	2.55	8'4"	2.55	8'4"	3.35	11'	3.9	12'10"	4.8	15'9"	2.55	8'4"	2.55	8'4"	3.35	11'	3.9	12'10"	4.8	15'9"
A. Overall width of upper structure	mm, ft-in	2 990	9'10"	2 990	9'10"	2 990	9'10"	2 990	9'10"	2 990	9'10"	2 990	9'10"	2 990	9'10"	2 990	9'10"	2 990	9'10"	2 990	9'10"
B. Overall width (extended)	mm, ft-in	3 640	11'11"	3 640	11'11"	3 640	11'11"	3 640	11'11"	3 640	11'11"	3 790	12'5"	3 790	12'5"	3 790	12'5"	3 790	12'5"	3 790	12'5"
Overall width (retracted)	mm, ft-in	-	-	-	-	-	-	-	-	-	-	3 290	10'10"	3 290	10'10"	3 290	10'10"	3 290	10'10"	3 290	10'10"
C. Overall height of cab	mm, ft-in	3 290	10'10"	3 290	10'10"	3 290	10'10"	3 290	10'10"	3 290	10'10"	3 390	11'1"	3 390	11'1"	3 390	11'1"	3 390	11'1"	3 390	11'1"
D. Tail swing radius	mm, ft-in	3 800	12'6"	3 800	12'6"	3 800	12'6"	3 800	12'6"	3 800	12'6"	3 800	12'6"	3 800	12'6"	3 800	12'6"	3 800	12'6"	3 800	12'6"
E. Overall height of engine hood	mm, ft-in	2 970	9'9"	2 970	9'9"	2 970	9'9"	2 970	9'9"	2 970	9'9"	3 070	10'1"	3 070	10'1"	3 070	10'1"	3 070	10'1"	3 070	10'1"
F. Counterweight clearance *	mm, ft-in	1 275	4'2"	1 275	4'2"	1 275	4'2"	1 275	4'2"	1 275	4'2"	1 375	4'6"	1 375	4'6"	1 375	4'6"	1 375	4'6"	1 375	4'6"
G. Tumbler length	mm, ft-in	4 370	14'4"	4 370	14'4"	4 370	14'4"	4 370	14'4"	4 370	14'4"	4 370	14'4"	4 370	14'4"	4 370	14'4"	4 370	14'4"	4 370	14'4"
H. Track length	mm, ft-in	5 400	17'9"	5 400	17'9"	5 400	17'9"	5 400	17'9"	5 400	17'9"	5 380	17'8"	5 380	17'8"	5 380	17'8"	5 380	17'8"	5 380	17'8"
I. Track gauge (retracted)	mm, ft-in	2 740	9'	2 740	9'	2 740	9'	2 740	9'	2 740	9'	2 390	7'10"	2 390	7'10"	2 390	7'10"	2 390	7'10"	2 390	7'10"
Track gauge (extended)	mm, ft-in	-	-	-	-	-	-	-	-	-	-	2 890	9'6"	2 890	9'6"	2 890	9'6"	2 890	9'6"	2 890	9'6"
J. Shoe width	mm, ft-in	900	36"	900	36"	900	36"	900	36"	900	36"	900	36"	900	36"	900	36"	900	36"	900	36"
K. Min. ground clearance *	mm, ft-in	560	1'10"	560	1'10"	560	1'10"	560	1'10"	560	1'10"	746	2'5"	746	2'5"	746	2'5"	746	2'5"	746	2'5"
L. Overall length	mm, ft-in	11 610	38'1"	12 110	39'9"	12 140	39'10"	12 130	39'10"	12 020	39'5"	11 620	38'1"	12 110	39'9"	12 120	39'9"	12 110	39'9"	12 065	39'7"
M. Overall height of boom	mm, ft-in	3 985	13'1"	3 890	12'9"	3 545	11'8"	3 570	11'9"	4 575	15'0"	4 015	13'2"	3 920	12'10"	3 570	11'9"	3 585	11'9"	4 565	15'

*Without shoe grouser

WORKING RANGES



Description	Unit	EC340DL								
		6.2 ME	20'4"			6.45/21'2"				
Boom	m, ft-in									
Arm	m, ft-in	2.6	8'6"	2.6	8'6"	3.2	10'6"	3.9	12'10"	
A. Max. digging reach	mm, ft-in	10 440	34'3"	10 550	34'7"	11 070	36'4"	11 710	38'5"	
B. Max. digging reach on ground	mm, ft-in	10 210	33'6"	10 330	33'11"	10 860	35'8"	11 520	37'10"	
C. Max. digging depth	mm, ft-in	6 740	22'1"	6 850	22'6"	7 450	24'5"	8 150	26'9"	
D. Max. digging depth (2,44 m, 8' level)	mm, ft-in	6 560	21'6"	6 650	21'10"	7 270	23'10"	8 000	26'3"	
E. Max. vertical wall digging depth	mm, ft-in	5 260	17'3"	5 430	17'10"	5 870	19'3"	6 500	21'4"	
F. Max. cutting height	mm, ft-in	10 070	33'0"	10 170	33'4"	10 340	33'11"	10 610	34'10"	
G. Max. dumping height	mm, ft-in	6 810	22'4"	7 090	23'3"	7 280	23'11"	7 560	24'10"	
H. Min. front slew radius	mm, ft-in	4 120	13'6"	4 320	14'2"	4 280	14'1"	4 300	14'1"	
Digging forces with direct fit bucket										
Bucket radius	mm, ft-in	1 810	5'11"	1 623	5'4"	1 623	5'4"	1 623	5'4"	
Breakout force - bucket (Normal/Power boost)	SAE J1179	kN, lb	214.5	48,221	198	44,512	198	44,512	198	44,512
	SAE J1179	kN, lb	234.5	52,717	215	48,333	215	48,333	215	48,333
	ISO 6015	kN, lb	243.4	54,718	221.7	49,840	221.7	49,840	221.7	49,840
	ISO 6015	kN, lb	265.4	59,664	242.7	54,561	242.7	54,561	242.7	54,561
Tearout force - dipper arm (Normal/Power boost)	SAE J1179	kN, lb	187.7	42,196	195.9	44,040	161.9	36,396	141.3	31,765
	SAE J1179	kN, lb	205.7	46,243	212.9	47,861	176.9	39,768	154.3	34,688
	ISO 6015	kN, lb	193.9	43,590	201.1	45,209	166	37,318	144.4	32,462
	ISO 6015	kN, lb	211.9	47,637	219.1	49,255	181	40,690	157.4	35,384
Rotation angle, bucket	°	164	164	177	177	177	177	177	177	

SPECIFICATIONS.

WORKING RANGES

Description		Unit	EC380DL							
Boom		m, ft-in	6.2 ME	20'4"	6.45 / 21'2"					
Arm		m, ft-in	2.6	8'6"	2.6	8'6"	3.2	10'6"	3.9	12'10"
A. Max. digging reach		mm, ft-in	10 440	34'3"	10 550	34'7"	11 070	36'4"	11 710	38'5"
B. Max. digging reach on ground		mm, ft-in	10 210	33'6"	10 330	33'11"	10 860	35'8"	11 520	37'10"
C. Max. digging depth		mm, ft-in	6 740	22'1"	6 850	22'6"	7 450	24'5"	8 150	26'9"
D. Max. digging depth (2,44 m, 8' level)		mm, ft-in	6 560	21'6"	6 650	21'10"	7 270	23'10"	8 000	26'3"
E. Max. vertical wall digging depth		mm, ft-in	5 260	17'3"	5 430	17'10"	5 870	19'3"	6 500	21'4"
F. Max. cutting height		mm, ft-in	10 070	33'0"	10 170	33'4"	10 340	33'11"	10 610	34'10"
G. Max. dumping height		mm, ft-in	6 810	22'4"	7 090	23'3"	7 280	23'11"	7 560	24'10"
H. Min. front slew radius		mm, ft-in	4 120	13'6"	4 320	14'2"	4 280	14'1"	4 300	14'1"
Digging forces with direct fit bucket										
Bucket radius		mm, ft-in	1 810	5'11"	1 623	5'4"	1 623	5'4"	1 623	5'4"
Breakout force - bucket (Normal/Power boost)	SAE J1179	kN, lb	214.5	48,221	198	44,512	198	44,512	198	44,512
	SAE J1179	kN, lb	234.5	52,717	215	48,333	215	48,333	215	48,333
	ISO 6015	kN, lb	243.4	54,718	221.7	49,840	221.7	49,840	221.7	49,840
	ISO 6015	kN, lb	265.4	59,664	242.7	54,561	242.7	54,561	242.7	54,561
Tearout force - dipper arm (Normal/Power boost)	SAE J1179	kN, lb	187.7	42,196	195.9	44,040	161.9	36,396	141.3	31,765
	SAE J1179	kN, lb	205.7	46,243	212.9	47,861	176.9	39,768	154.3	34,688
	ISO 6015	kN, lb	193.9	43,590	201.1	45,209	166	37,318	144.4	32,462
	ISO 6015	kN, lb	211.9	47,637	219.1	49,255	181	40,690	157.4	35,384
Rotation angle, bucket		°	164	164	177	177	177	177	177	177

Description		Unit	EC480DL *											
Boom		m, ft-in	6.5 ME	21'4"	7 / 23'									
Arm		m, ft-in	2.55	8'4"	2.55	8'4"	3.35	11'	3.9	12'10"	4.8	15'9"		
A. Max. digging reach		mm, ft-in	10 930	35'10"	11 340	37'2"	12 040	39'6"	12 530	41'1"	13 260	43'6"		
B. Max. digging reach on ground		mm, ft-in	10 680	35'0"	11 110	36'5"	11 810	38'9"	12 320	40'5"	13 060	42'10"		
C. Max. digging depth		mm, ft-in	6 580	21'7"	6 920	22'8"	7 720	25'4"	8 270	27'2"	9 170	30'1"		
D. Max. digging depth (2,44 m, 8' level)		mm, ft-in	6 410	21'0"	6 750	22'2"	7 570	24'10"	8 140	26'8"	9 050	29'8"		
E. Max. vertical wall digging depth		mm, ft-in	6 100	20'0"	6 270	20'7"	7 110	23'4"	7 570	24'10"	8 020	26'4"		
F. Max. cutting height		mm, ft-in	10 600	34'9"	10 860	35'8"	11 010	36'1"	11 190	36'9"	11 130	36'6"		
G. Max. dumping height		mm, ft-in	6 970	22'10"	7 420	24'4"	7 640	25'1"	7 820	25'8"	7 850	25'9"		
H. Min. front slew radius		mm, ft-in	4 780	15'8"	5 170	17'	5 090	16'8"	5 050	16'7"	5 100	16'9"		
Digging forces with direct fit bucket														
Bucket radius		mm, ft-in	1 923	6'4"	1 810	5'11"	1 810	5'11"	1 810	5'11"	1 810	5'11"		
Breakout force - bucket (Normal/Power boost)	SAE J1179	kN, lb	252.9	56,854	229.6	51,616	229.6	51,616	229.6	51,616	229.6	51,616		
	SAE J1179	kN, lb	275.3	61,889	251.2	56,472	251.2	56,472	251.2	56,472	251.2	56,472		
	ISO 6015	kN, lb	285.1	64,093	260.9	58,652	260.9	58,652	260.9	58,652	260.9	58,652		
	ISO 6015	kN, lb	310.6	69,825	284.4	63,935	284.4	63,935	284.4	63,935	284.4	63,935		
Tearout force - dipper arm (Normal/Power boost)	SAE J1179	kN, lb	224.5	50,469	231.6	52,065	196.1	44,085	175.9	39,543	159.7	35,901		
	SAE J1179	kN, lb	244.1	54,875	252.2	56,696	214.9	48,311	191.6	43,073	174.4	39,206		
	ISO 6015	kN, lb	231.6	52,065	238.6	53,639	201.2	45,231	179	40,240	162.8	36,598		
	ISO 6015	kN, lb	253.1	56,899	260.2	58,495	219.9	49,435	195.6	43,972	177.5	39,903		
Rotation angle, bucket		°	169	169	183	183	183	183	183	183	183	183		

Description		Unit	EC480DL, mechanically retractable width **											
Boom		m, ft-in	6.5 ME	21'4"	7 / 23'									
Arm		m, ft-in	2.55	8'4"	2.55	8'4"	3.35	11'	3.9	12'10"	4.8	15'9"		
A. Max. digging reach		mm, ft-in	10 930	35'10"	11 340	37'2"	12 040	39'6"	12 530	41'1"	13 260	43'6"		
B. Max. digging reach on ground		mm, ft-in	10 660	35'	11 090	36'5"	11 790	38'8"	12 300	40'4"	13 040	42'9"		
C. Max. digging depth		mm, ft-in	6 470	21'3"	6 810	22'4"	7 610	25'	8 160	26'9"	9 060	29'9"		
D. Max. digging depth (2,44 m, 8' level)		mm, ft-in	6 300	20'8"	6 640	21'9"	7 460	24'6"	8 030	26'4"	8 940	29'4"		
E. Max. vertical wall digging depth		mm, ft-in	5 880	19'3"	6 160	20'3"	7 000	23'	7 460	24'6"	7 910	25'11"		
F. Max. cutting height		mm, ft-in	10 710	35'2"	10 970	36'	11 130	36'6"	11 300	37'1"	11 240	36'11"		
G. Max. dumping height		mm, ft-in	7 080	23'3"	7 530	24'8"	7 750	25'5"	7 930	26'0"	7 960	26'1"		
H. Min. front slew radius		mm, ft-in	4 780	15'8"	5 170	16'12"	5 090	16'8"	5 050	16'7"	5 100	16'9"		
Digging forces with direct fit bucket														
Bucket radius		mm, ft-in	1 923	6'4"	1 810	5'11"	1 810	5'11"	1 810	5'11"	1 810	5'11"		
Breakout force - bucket (Normal/Power boost)	SAE J1179	kN, lb	253	56,876	230	51,706	230	51,706	230	51,706	230	51,706		
	SAE J1179	kN, lb	275	61,822	251	56,427	251	56,427	251	56,427	251	56,427		
	ISO 6015	kN, lb	285	64,070	261	58,675	261	58,675	261	58,675	261	58,675		
	ISO 6015	kN, lb	311	69,915	284	63,845	284	63,845	284	63,845	284	63,845		
Tearout force - dipper arm (Normal/Power boost)	SAE J1179	kN, lb	225	50,582	232	52,155	196	44,062	176	39,566	160	35,969		
	SAE J1179	kN, lb	244	54,853	252	56,651	215	48,333	192	43,163	174	39,116		
	ISO 6015	kN, lb	232	52,155	239	53,729	201	45,186	179	40,240	163	36,643		
	ISO 6015	kN, lb	253	56,876	260	58,450	220	49,457	196	44,062	178	40,015		
Rotation angle, bucket		°	169	169	183	183	183	183	183	183	183	183		

* FIXED UNDERCARRIAGE, Machine with pin-on bucket

** RETRACTABLE UNDERCARRIAGE, Machine with pin-on bucket

Bucket spec. for Working Range

- For ME Boom : VGP60 2600L VTS (Bucket tip radius : 1948 mm, 6.4')

- For STD Boom : KGP46 2606L KTS (Bucket tip radius : 1847 mm, 6.1')

EXPLANATION OF LIFTING CAPACITY TABLES

Lifting capacity at the arm end without bucket.

For lifting capacity including bucket, simply subtract actual weight of the direct fit bucket or the bucket with quick coupler from the following values.

Example: LIFTING CAPACITY EC340DL

	Lifting Point		4.5m (15')				6m (20')				7.5m (25')				9m (30')				
			along		across		along		across		along		across		along		across		
	m		t	lb	t	lb	t	lb	t	lb	t	lb	t	lb	t	lb	t	lb	
Boom : 6.45m	9.0	30'	-	-	-	-	-	-	-	-	-	-	-	-	-	-	-	-	
+ 21'2"	7.5	25'	-	-	-	-	-	-	-	-	-	*8.2	*18240	8.1	17470	-	-	-	
Arm : 3.9m	6	20'	-	-	-	-	-	-	-	-	-	*8.6	*18860	8.0	17250	*7.3	*13870	5.9	12630
+ 12'10"	4.5	15'	-	-	-	-	*10.5	*22740	*10.5	*22740	*9.5	*20690	7.8	16730	8.7	18740	5.8	12450	
Shoe : 800mm	3	10'	*16.6	*35730	16.0	34460	*12.6	*27300	10.4	22410	*10.7	*23160	7.5	16070	8.5	18390	5.6	12130	
+ 32'	1.5	5'	*20.3	*43860	14.9	32080	*14.7	*31720	9.8	21220	11.0	23730	7.2	15420	8.4	18010	5.5	11780	
CWT : 7050kg	0	0'	*22.4	*48420	14.3	30740	15.1	32510	9.4	20360	10.8	23160	6.9	14900	8.2	17710	5.3	11500	
15550 lb	-1.5	-5'	*22.9	*49570	14.1	30250	14.9	32000	9.2	19920	10.6	22840	6.8	14610	8.2	17580	5.3	11390	
	-3	-10'	*22.1	*47880	14.1	30320	14.8	31930	9.2	19850	10.6	22820	6.8	14590	-	-	-	-	
	-4.5	-15'	*19.9	*43010	14.3	30840	15.0	*32300	9.4	20190	-	-	-	-	-	-	-	-	
	-6.0	-20'	*15.4	*32550	14.8	32000	-	-	-	-	-	-	-	-	-	-	-	-	

- Notes:
1. Machine in "Fine Mode-F" (Power Boost) for lifting capacities.
 2. The above loads are in compliance with SAE J1097 and ISO 10567 Hydraulic Excavator Lifting Capacity Standards.
 3. Rated loads do not exceed 87% of hydraulic lifting capacity or 75% of tipping load.
 4. Rated loads marked with an asterisk (*) are limited by hydraulic capacity rather than tipping load.

LIFTING CAPACITY EC380DL

	Lifting Point		4.5m (15')				6m (20')				7.5m (25')				9m (30')				Max. Reach								
	m	ft	along		across		along		across		along		across		along		across		m	ft							
			t	lb	t	lb	t	lb	t	lb	t	lb	t	lb	t	lb	t	lb									
Boom : 6.2m	7.5	25'	-	-	-	-	*10.7*23740	*10.7*23740	-	-	-	-	-	-	-	-	-	-	*10.9*24170	9.8	22150	6.7	21.71				
+ 20'4"	6	20'	-	-	-	-	*11.3*24580	*11.3*24580	*10.8*23870	8.1	17440	-	-	-	-	-	-	-	*10.6*23450	7.8	17350	7.7	25.08				
Arm : 2.6m	4.5	15'	*16.0*34260	*16.0*34260	*12.7*27630	11.2	24250	*11.3*24610	8.0	17170	-	-	-	-	-	-	-	-	10.4	23150	6.8	15040	8.3	27.12			
+ 8'6"	3	10'	*20.0*42880	16.4	35330	*14.6*31550	10.7	23150	12.0	25920	7.7	16670	-	-	-	-	-	-	9.8	21530	6.3	13930	8.6	28.13			
Shoe : 800mm	1.5	5'	*22.5*48640	15.6	33630	*16.1*34930	10.3	22230	11.8	25390	7.5	16200	-	-	-	-	-	-	9.6	21150	6.2	13610	8.6	28.22			
+ 32"	0	0'	*23.1*50020	15.4	33040	16.4	35280	10.1	21690	11.6	25060	7.4	15900	-	-	-	-	-	-	9.9	21920	6.4	14030	8.4	27.40		
CWT : 7000kg	-1.5	-5'	*22.3*48300	15.4	33050	16.3	35130	10.0	21560	11.6	25040	7.4	15890	-	-	-	-	-	-	11.0	24250	7.0	15430	7.8	25.58		
15440 lb	-3	-10'	*20.1*43450	15.6	33510	*15.2*32720	10.1	21850	-	-	-	-	-	-	-	-	-	-	-	12.6	27730	8.4	18650	6.9	22.51		
	-4.5	-15'	*15.5*32920	*15.5*32920	-	-	-	-	-	-	-	-	-	-	-	-	-	-	-	12.3	27010	12.1	27010	5.4	17.55		
Boom : 6.45m	7.5	25'	-	-	-	-	*10.3*22630	*10.3*22630	-	-	-	-	-	-	-	-	-	-	*10.4*23050	9.1	20500	7.0	22.76				
+ 21'2"	6	20'	-	-	-	-	*11*23980	*11.0*23980	*10.4*22800	8.1	17460	-	-	-	-	-	-	-	-	10.4	22880	7.3	16330	8.0	25.99		
Arm : 2.6m	4.5	15'	*16.1*34570	*16.1*34570	*12.6*27280	11.1	24040	*11.0*23950	7.9	17080	-	-	-	-	-	-	-	-	-	9.9	21970	6.4	14250	8.5	27.96		
+ 8'6"	3	10'	*19.7*43380	15.7	34700	*14.5*31300	10.6	22880	*11.9	25770	7.7	16530	-	-	-	-	-	-	-	9.3	20510	6.0	13240	8.8	28.94		
Shoe : 800mm	1.5	5'	-	-	-	-	*16*34660	10.2	21940	11.7	25210	7.4	16030	-	-	-	-	-	-	9.1	20150	5.9	12930	8.8	29.03		
+ 32"	0	0'	*22.1*49630	15.2	32630	16.3	34980	9.9	21410	11.5	24850	7.3	15700	-	-	-	-	-	-	9.4	20820	6.0	13300	8.6	28.23		
CWT : 7000kg	-1.5	-5'	*22.1*47880	15.2	32700	16.2	34840	9.9	21290	11.5	24800	7.3	15660	-	-	-	-	-	-	10.4	22870	6.6	14540	8.1	26.47		
15440 lb	-3	-10'	*20.1*43520	15.4	33160	*15.4*33150	10.0	21560	-	-	-	-	-	-	-	-	-	-	-	12.2	26820	7.8	17330	7.2	23.52		
	-4.5	-15'	*16.2*34610	15.9	34160	-	-	-	-	-	-	-	-	-	-	-	-	-	-	12.1	26580	10.8	24440	5.8	18.83		
Boom : 6.45m	7.5	25'	-	-	-	-	-	-	*8.9*19550	8.4	18410	-	-	-	-	-	-	-	-	7.8	17170	7.8	17170	7.7	24.86		
+ 21'2"	6	20'	-	-	-	-	-	-	*9.5*20910	8.3	17820	-	-	-	-	-	-	-	-	7.5	16640	6.7	14830	8.5	27.84		
Arm : 3.2m	4.5	15'	*14.4*30910	*14.4*30910	*11.7*25250	11.4	24510	*10.3*22460	8.1	17350	*8.3*18340	6.0	13230	-	-	-	-	-	-	7.6	16760	5.9	13120	9.1	29.69		
+ 10'6"	3	10'	*18.6*39890	16.5	35640	*13.7*29540	10.8	23270	*11.3*24660	7.8	16730	9.1	19540	5.9	12650	*7.9*17460	5.5	12240	9.3	20670	6.0	13180	8.6	28.29			
Shoe : 800mm	1.5	5'	*21.6*46690	15.6	33570	*15.4*33400	10.3	22180	11.8	25350	7.5	16150	8.9	19240	5.7	12370	8.4	18580	5.4	11960	9.4	20770	9.1	29.94			
+ 32"	0	0'	*22.8*49410	15.2	32670	16.3	35080	10.0	21490	11.6	24880	7.3	15720	8.8	19470	5.7	12460	8.7	19090	5.5	12220	9.1	29.94				
CWT : 7000kg	-1.5	-5'	*22.6*48970	15.1	32500	16.2	34760	9.8	21210	11.5	24680	7.2	15550	-	-	-	-	-	-	9.4	20670	6.0	13180	8.6	28.29		
15440 lb	-3	-10'	*21.2*45830	15.2	32790	*16*34610	9.9	21310	11.5	24870	7.3	15710	-	-	-	-	-	-	-	10.9	24110	6.9	15280	7.8	25.56		
	-4.5	-15'	*18.2*39020	15.6	33560	*13.6*28960	10.1	21910	-	-	-	-	-	-	-	-	-	-	-	11.9	26300	9.0	20100	6.6	21.33		
Boom : 6.45m	7.5	25'	-	-	-	-	-	-	*8.3*18280	*8.3*18280	-	-	-	-	-	-	-	-	-	6.3	13870	6.3	13870	8.4	27.44		
+ 21'2"	6	20'	-	-	-	-	-	-	*8.6*18880	8.5	18320	7.5	14230	6.3	13410	*6.1*13500	6.0	13280	9.2	20170	6.1	13500	6.0	13280	9.2	30.17	
Arm : 3.9m	4.5	15'	-	-	-	-	*10.5*22720	*10.5*22720	*9.5*20660	8.2	17750	*9*19640	6.2	13220	*6.2*13570	5.4	11900	9.7	21380	5.4	11900	9.7	31.88				
+ 12'10"	3	10'	*16.5*35500	*16.5*35500	*12.6*27170	11.0	23750	*10.6*23070	7.9	17020	9.2	19790	6.0	12860	*6.4*14060	5.1	11160	10.0	23274	6.2	13570	5.4	11900	9.7	31.88		
Shoe : 800mm	1.5	5'	*20.1*43450	15.8	34010	*14.5*31490	10.4	22430	*11.8*25540	7.6	16300	9.0	19370	5.8	12480	*6.8*14980	4.9	10890	10.0	23282	6.2	13570	5.4	11900	9.7	31.88	
+ 32"	0	0'	*22.1*47920	15.1	32530	*16*34630	10.0	21480	11.6	24920	7.0	15730	8.8	19040	5.6	12170	*7.5*16500	5.0	11060	9.8	23212	6.2	13570	5.4	11900	9.7	31.88
CWT : 7000kg	-1.5	-5'	*22.6*49040	14.9	32000	16	34550	9.7	21000	11.4	24560	7.0	15420	8.8	18910	5.6	12050	8.0	18410	5.3	11750	9.3	30.58				
15440 lb	-3	-10'	*21.9*47370	14.9	32090	16	34480	9.7	20940	11.4	24550	7.1	15400	-	-	-	-	-	-	9.0	20860	6.0	13260	8.6	28.08		
	-4.5	-15'	*19.7*42550	15.2	32690	*14.9*32020	9.9	21320	-	-	-	-	-	-	-	-	-	-	-	11.2	24760	7.4	16440	7.5	24.30		
	-6.0	-20'	*15.3*32200	*15.3*32200	-	-	-	-	-	-	-	-	-	-	-	-	-	-	-	11.4	25080	10.9	25060	5.8	18.46		
Boom : 6.2m	7.5	25'	-	-	-	-	*10.7*23740	*10.7*23740	-	-	-	-	-	-	-	-	-	-	-	*10.9*24170	10.2	22960	6.7	21.71			
+ 20'4"	6	20'	-	-	-	-	*11.3*24580	*11.3*24580	*10.8*23870	8.4	18120	-	-	-	-	-	-	-	-	10.6	23450	8.1	18020	7.7	25.08		
Arm : 2.6m	4.5	15'	*16.0*34260	*16*34260	*12.7*27630	11.7	25150	*11.3*24610	8.3	17850	-	-	-	-	-	-	-	-	-	10.6	23470	7.1	15660	8.3	27.12		
+ 8'6"	3	10'	*20.0*42880	17.0	36680	*14.6*31550	11.2	24050	*12.1*26370	8.1	17350	-	-	-	-	-	-	-	-	10.1	22270	6.6	14510	8.6	28.13		
Shoe : 800mm	1.5	5'	*22.5*48640	16.2	34980	*16.1*34930	10.7	23130	12.2	26260	7.8	16880	-	-	-	-	-	-	-	9.9	21890	6.4	14200	8.6	28.22		
+ 32"	0	0'	*23.1*50020	16.0	34390	*16.9	36480	10.5	22590	12.0	25920	7.7	16580	-	-	-	-	-	-	10.3	22690	6.6	14640	8.4	27.40		
CWT : 7550kg	-1.5	-5'	*22.3*48300	16.0	34400	*16.7*36240	10.4	22460	12.0	25900	7.7	16560	-	-	-	-	-	-	-	11.4	25090	7.3	16090	7.8	25.58		
16650 lb	-3	-10'	*20.1*43450	16.2	34860	*15.2*32720	10.5	22760	-	-	-	-	-	-	-	-	-	-	-	12.6	27730	8.7	19420	6.9	22.51		
	-4.5	-15'	*15.5*32920	*15.5*32920	-	-	-	-	-	-	-	-	-	-	-	-	-	-	-	12.3	27010	*12.3*27010	12.3	27010	5.4	17.55	
Boom : 6.45m	7.5	25'	-	-	-	-	*10.3*22630	*10.3*22630	-	-	-	-	-	-	-	-	-	-	-	*10.4*23050	9.4	21270	7.0	22.76			
+ 21'2"	6	20'	-	-	-	-	*11.0*23980	*11.0*23980	*10.4*22800	8.4	18140	-	-	-	-	-	-	-	-	10.4	22880	7.6	16970	8.0	25.99		
Arm : 2.6m	4.5	15'	*16.1*34570	*16.1*34570	*12.6*27280	11.6	24950	*11.0*23950	8.2	17760	-	-	-	-	-	-	-	-	-	10.3	22710	6.7	14850	8.5	27.96		
+ 8'6"																											

SPECIFICATIONS.

LIFTING CAPACITY EC480DL fixed undercarriage

	Lifting Point		4.5m (15')				6m (20')				7.5m (25')				9m (30')				Max. Reach							
			along		across		along		across		along		across		along		across		along		across					
	m		t	lb	t	lb	t	lb	t	lb	t	lb	t	lb	t	lb	t	lb	t	lb	m	ft				
Boom: 6.5m	7.5	25'	-	-	-	-	-	-	-	-	-	-	-	-	-	-	-	-	-	-	*12.4*27480	12.1	25390	7.2	23.49	
+ 21'4"	6	20'	-	-	-	-	-	-	-	-	-	-	-	-	-	-	-	-	-	-	*12.3*27080	10.0	20690	8.1	26.57	
Arm: 2.55m	4.5	15'	*20.0*42810	*20.0*42810	*15.3*33050	*15.3*31130	*13.1*28570	11.2	22360	-	-	-	-	-	-	-	-	-	-	-	*12.3*27210	8.9	18320	8.7	28.44	
+ 8'4"	3	10'	*24.4*52770	22.6	44690	*17.4*37590	14.9	29740	*14.2*30750	10.8	21690	-	-	-	-	-	-	-	-	-	13.0	26900	8.4	17190	8.9	29.33
Shoe: 900mm	1.5	5'	*17.5*43240	*17.5	43070	*19.0*41130	14.4	28670	*15.1*32690	10.6	21110	-	-	-	-	-	-	-	-	-	12.0	26590	8.3	16920	8.9	29.34
+ 36"	0	0'	*25.7*57710	21.7	42700	*19.7*42620	14.1	28120	*15.5	33290	10.4	20760	-	-	-	-	-	-	-	-	13.0	27610	8.6	17480	8.7	28.48
CWT: 9050kg	-1.5	-5'	*25.3*54920	21.8	42870	*19.3*41720	14.1	28030	*15.1*32540	10.4	20740	-	-	-	-	-	-	-	-	-	13.5	29710	9.4	19150	8.1	26.64
19960 lb	-3	-10'	*22.6*49030	22.1	43460	*17.4*37610	14.3	28410	-	-	-	-	-	-	-	-	-	-	-	-	*13.6*29980	11.1	22840	7.2	23.61	
	-4.5	-15'	*17.5*37360	*17.5	37360	-	-	-	-	-	-	-	-	-	-	-	-	-	-	-	13.0	29440	5.8	18.43		
Boom: 7m	7.5	25'	-	-	-	-	-	-	-	-	-	-	-	-	-	-	-	-	-	-	*11.4*25260	9.9	22100	7.9	25.60	
+ 23'	6	20'	-	-	-	-	-	-	-	-	-	-	-	-	-	-	-	-	-	-	*11.4*25040	8.3	18490	8.7	28.45	
Arm: 2.55m	4.5	15'	*20.2*44520	*20.2*44520	*15.2*32690	14.2	30560	*12.7*27540	10.2	22100	*11.5*25240	8.1	17490	7.8	16760	*11.5*25220	7.5	16580	9.2	30.20	-	-	-	-	-	
+ 8'4"	3	10'	-	-	-	-	-	-	-	-	-	-	-	-	-	-	-	-	-	-	12.0	26120	8.0	17190	12.0	25380
Shoe: 900mm	1.5	5'	-	-	-	-	-	-	-	-	-	-	-	-	-	-	-	-	-	-	12.3	26400	8.0	16880	11.0	25120
+ 36"	0	0'	*15.2*33550	*15.2	33550	*19.5*42140	12.8	27570	15.3	32850	9.4	20370	-	-	-	-	-	-	-	-	11.4	25050	7.2	15850	9.2	30.24
CWT: 9050kg	-1.5	-5'	*24.7*53800	19.7	42300	*19.1*41410	12.8	27530	*15.1*32680	9.4	20310	-	-	-	-	-	-	-	-	-	12.3	27260	7.8	17180	8.7	28.52
19960 lb	-3	-10'	*22.6*48990	19.9	42850	*17.7*38290	12.9	27860	*13.8*29480	9.6	20660	-	-	-	-	-	-	-	-	-	12.7	28050	9.0	19980	7.9	25.71
	-4.5	-15'	*18.7*40230	*18.7	40230	*14.4*30620	13.3	28760	-	-	-	-	-	-	-	-	-	-	-	-	12.5	27390	11.8	26370	6.6	21.38
Boom: 7m	7.5	25'	-	-	-	-	-	-	-	-	-	-	-	-	-	-	-	-	-	-	*10.0*22020	10.7	23040	-	-	
+ 23'	6	20'	-	-	-	-	-	-	-	-	-	-	-	-	-	-	-	-	-	-	*10.6*23200	10.6	22770	-	-	
Arm: 3.35m	4.5	15'	*18.0*38410	*18.0*38410	*13.8*29720	*13.8*29720	*11.7*25510	10.4	22500	*10.7*23310	7.9	17060	8.0	16630	*10.7*23310	7.8	17150	7.9	17060	8.0	16630	*10.7*23310	7.9	17060	8.0	16630
+ 11'	3	10'	*22.9*49040	20.7	44710	*16.1*34830	13.8	29690	*13.0*28280	10.0	21650	*11.4*24720	8.0	16630	*10.0*22020	6.4	14180	10.2	33.32	-	-	-	-	-	-	
Shoe: 900mm	1.5	5'	*15.8*38150	*15.8	38150	*18.1*39080	13.2	28410	*14.2*30820	9.7	20910	11.9	25550	8.0	16220	10.0	21900	6.3	13950	10.2	33.33	-	-	-	-	
+ 36"	0	0'	*19.4*45250	*19.4	41890	*19.2*41520	12.8	27650	*15.0*32540	9.5	20390	11.7	25230	7.4	15930	10.0	22470	6.5	14260	9.9	32.57	-	-	-	-	
CWT: 9050kg	-1.5	-5'	*25.9*56170	19.5	41860	*19.3*41930	12.7	27380	15.2	32630	9.3	20160	11.7	25150	7.3	15850	10.9	24080	6.9	15220	9.5	30.98	-	-	-	
19960 lb	-3	-10'	*24.3*52670	19.6	42240	*18.6*40190	12.8	27510	*14.6*31580	9.4	20260	-	-	-	-	-	-	-	-	-	12.0	26450	7.8	17210	8.7	28.43
	-4.5	-15'	*21.3*46030	20.0	43050	*16.5*35400	13.0	28050	*12.4*27290	9.6	21230	-	-	-	-	-	-	-	-	-	12.2	26880	9.5	21310	7.6	24.59
Boom: 7m	7.5	25'	-	-	-	-	-	-	-	-	-	-	-	-	-	-	-	-	-	-	*9.3*18790	8.2	17580	7.8	17330	
+ 23'	6	20'	-	-	-	-	-	-	-	-	-	-	-	-	-	-	-	-	-	-	*9.6*21180	7.4	16490	9.5	30.92	
Arm: 3.9m	4.5	15'	-	-	-	-	-	-	-	-	-	-	-	-	-	-	-	-	-	-	*10.0*21830	7.9	17060	8.0	16630	
+ 12'10"	3	10'	*20.8*44730	*20.8	44730	*15.1*32520	13.8	29880	*12.3*26680	10.0	21660	*10.8*23440	8.0	16550	*8.1*17810	5.9	13050	10.7	34.96	-	-	-	-	-	-	
Shoe: 900mm	1.5	5'	*21.6*51460	19.8	42670	*17.2*37220	13.1	28370	*13.6*29480	9.6	20790	*11.5*25060	7.0	16060	*8.6*18860	5.8	12820	10.7	34.97	-	-	-	-	-	-	
+ 36"	0	0'	*21.4*49680	19.3	41440	*18.6*40310	12.7	27390	*14.6*31570	9.3	20150	11.6	25000	7.3	15680	*9.3*20550	5.9	13050	10.4	34.25	-	-	-	-	-	
CWT: 9050kg	-1.5	-5'	*26.0*56360	19.1	41140	*19.1*41470	12.5	26940	15.0	32280	9.2	19810	11.5	24800	7.2	15490	10.0	21980	6.3	13820	10.0	32.74	-	-	-	
19960 lb	-3	-10'	*24.9*53940	19.2	41370	*18.7*40590	12.5	26930	*14.8*31910	9.2	19780	11.5	24920	7.2	15600	11.1	24560	7.0	15400	9.3	30.34	-	-	-	-	
	-4.5	-15'	*22.5*48630	19.5	42060	*17.2*37120	12.7	27340	*13.4*28610	9.3	20170	-	-	-	-	-	-	-	-	-	11.6	25580	8.3	18510	8.2	26.78
	-6.0	-20'	*18.1*38590	*18.1	38590	*13.6*28630	13.1	28380	-	-	-	-	-	-	-	-	-	-	-	-	11.6	25470	11.4	25470	6.7	21.50
Boom: 7m	7.5	25'	-	-	-	-	-	-	-	-	-	-	-	-	-	-	-	-	-	-	*7.9*17370	*7.9	17370	*7.3	16110	
+ 23'	6	20'	-	-	-	-	-	-	-	-	-	-	-	-	-	-	-	-	-	-	*8.2*18040	8.2	17680	*7.2	15920	
Arm: 4.8m	4.5	15'	-	-	-	-	-	-	-	-	-	-	-	-	-	-	-	-	-	-	*9.6*20830	*9.6	20830	*8.9	19460	
+ 15'9"	3	10'	*17.6*37730	*17.6	37730	*13.2*28570	*13.2	28570	*11.0*23960	10.1	21830	*9.8*21310	8.0	16550	*7.6*16690	5.3	11620	11.4	37.33	-	-	-	-	-	-	
Shoe: 900mm	1.5	5'	*22.0*47410	20.1	43410	*15.7*33890	13.3	28600	*12.5*27130	9.6	20780	*10.7*23240	7.0	15920	*8.0*17670	5.2	11380	11.4	37.34	-	-	-	-	-	-	
+ 36"	0	0'	*24.7*53320	19.2	41270	*17.5*37950	12.6	27240	*13.7*29770	9.2	19940	*11.5	24760	7.1	15400	8.0	18440	5.2	11500	11.2	36.67	-	-	-	-	
CWT: 9050kg	-1.5	-5'	*25.7*55590	18.8	40380	*18.6*40230	12.3	26470	*14.5*31450	9.0	19390	11.3	24380	7.0	15060	8.8	19370	5.5	12050	10.8	35.27	-	-	-	-	
19960 lb	-3	-10'	*25.4*55000	18.7	40240	*18.8*40610	12.2	26200	15.0	31640	8.9	19170	11.3	24270	6.9	14960	9.6	21240	6.0	13180	10.1	33.05	-	-	-	
	-4.5	-15'	*23.9*51690	18.9	40670	*18.0*38820	12.2	26370	*14.1*30380	8.9	19310	*11.1*24490	7.0	15500	*10.8*23910	6.9	15330	9.1	29.82	-	-	-	-	-	-	
	-6.0	-20'	*20.9*44790	19.3	41650	*15.8*33850	12.5	27030	*12.0*25300	9.2	19950	-	-	-	-	-	-	-	-	-	11.3	24940	8.8	19750	7.8	25.20
Boom: 6.5m	7.5	25'	-	-	-	-	-	-	-	-	-	-	-	-	-	-	-	-	-	-	*12.4*27480	11.7	26370	7.2	23.49	
+ 21'4"	6	20'	-	-	-	-	-	-	-	-	-	-	-	-	-	-	-	-	-	-	*12.3*27080	9.7	21530	8.1	26.57	
Arm: 2.55m	4.5	15'	*																							

LIFTING CAPACITY EC480DL fixed undercarriage

	Lifting Point	4.5m (15')				6m (20')				7.5m (25')				9m (30')				Max. Reach		
		along		across		along		across		along		across		along		across		along	across	Max.
		t	lb	t	lb	t	lb	t	lb	t	lb	t	lb	t	lb	t	lb	t	lb	ft
Boom: 7m	7.5 25'	-	-	-	-	-	-	-	-	-	-	-	-	-	-	-	-	-	-	-
+ 23'	6 20'	-	-	-	-	-	-	-	-	-	-	-	-	-	-	-	-	-	-	-
Arm: 3.9m	4.5 15'	-	-	-	-	-	-	-	-	-	-	-	-	-	-	-	-	-	-	-
+ 12'10"	3 10'	*20.8*44730	*20.8*44730	*15.1*32520	14.4 31090	*12.6*27250	*12.6*27250	*10.9*23760	*10.9*23760	*9.8*21340	*9.8*21340	*9.4*20670	8.5 18200	*7.8*17150	7.1 15730	10.0 32.68				
Shoe: 900mm	1.5 5'	*21.6*51460	20.6 44470	*17.2*37220	13.7 29580	*12.6*27250	*12.6*27250	*10.9*23760	*10.9*23760	*9.8*21340	*9.8*21340	*9.4*20670	8.5 18200	*7.8*17150	7.1 15730	10.0 32.68				
+ 36"	0 0'	*21.4*49680	20.1 43250	*18.6*40310	13.3 28600	*12.6*27250	*12.6*27250	*10.9*23760	*10.9*23760	*9.8*21340	*9.8*21340	*9.4*20670	8.5 18200	*7.8*17150	7.1 15730	10.0 32.68				
CWT: 9750kg	-1.5 -5'	*26.0*56360	20.0 42940	*19.1*41470	13.1 28150	*12.6*27250	*12.6*27250	*10.9*23760	*10.9*23760	*9.8*21340	*9.8*21340	*9.4*20670	8.5 18200	*7.8*17150	7.1 15730	10.0 32.68				
21500 lb	-3 -10'	*24.9*53940	20.1 43170	*18.7*40590	13.1 28140	*12.6*27250	*12.6*27250	*10.9*23760	*10.9*23760	*9.8*21340	*9.8*21340	*9.4*20670	8.5 18200	*7.8*17150	7.1 15730	10.0 32.68				
	-4.5 -15'	*22.5*48630	20.4 43860	*17.2*37120	13.2 28550	*12.6*27250	*12.6*27250	*10.9*23760	*10.9*23760	*9.8*21340	*9.8*21340	*9.4*20670	8.5 18200	*7.8*17150	7.1 15730	10.0 32.68				
	-6.0 -20'	*18.1*38590	*18.1*38590	*13.6*28630	*13.6*28630	*12.6*27250	*12.6*27250	*10.9*23760	*10.9*23760	*9.8*21340	*9.8*21340	*9.4*20670	8.5 18200	*7.8*17150	7.1 15730	10.0 32.68				

LIFTING CAPACITY EC480DL retractable undercarriage

Boom: 6.5m	7.5 25'	-	-	-	-	-	-	-	-	-	-	-	-	-	-	-	-	-	-	-
+ 21'4"	6 20'	-	-	-	-	-	-	-	-	-	-	-	-	-	-	-	-	-	-	-
Arm: 2.55m	4.5 15'	*20.0*42810	*20.0*42810	*15.3*33050	*15.3*33050	*13.4*29120	*13.4*29120	*12.4*27090	11.4 24580	-	-	-	-	-	-	-	-	-	-	-
+ 8'4"	3 10'	*24.4*52770	22.6 48670	*17.4*37590	14.9 32140	*13.4*29120	*13.4*29120	*12.4*27090	11.4 24580	-	-	-	-	-	-	-	-	-	-	-
Shoe: 900mm	1.5 5'	*17.5*43240	*17.5*43240	*19.0*41130	14.4 31050	*13.4*29120	*13.4*29120	*12.4*27090	11.4 24580	-	-	-	-	-	-	-	-	-	-	-
+ 36"	0 0'	*25.7*57710	21.7 46630	*19.7*42620	14.1 30490	*13.4*29120	*13.4*29120	*12.4*27090	11.4 24580	-	-	-	-	-	-	-	-	-	-	-
CWT: 9050kg	-1.5 -5'	*25.3*54920	21.8 46800	*19.3*41720	14.1 30400	*13.4*29120	*13.4*29120	*12.4*27090	11.4 24580	-	-	-	-	-	-	-	-	-	-	-
19960 lb	-3 -10'	*22.6*49030	22.1 47410	*17.4*37610	14.3 30790	*13.4*29120	*13.4*29120	*12.4*27090	11.4 24580	-	-	-	-	-	-	-	-	-	-	-
	-4.5 -15'	*17.5*37360	*17.5*37360	-	-	-	-	-	-	-	-	-	-	-	-	-	-	-	-	-
Boom: 7m	7.5 25'	-	-	-	-	-	-	-	-	-	-	-	-	-	-	-	-	-	-	-
+ 23'	6 20'	-	-	-	-	-	-	-	-	-	-	-	-	-	-	-	-	-	-	-
Arm: 2.55m	4.5 15'	*20.2*44520	*20.2*44520	*15.2*32690	*15.2*32690	*13.1*28290	*13.1*28290	*11.7*25540	11.4 24480	-	-	-	-	-	-	-	-	-	-	-
+ 8'4"	3 10'	-	-	-	-	*17.3*37410	14.6 31470	*13.8*29970	10.7 23040	*12.0*26120	8.0 17760	11.0 25110	7.7 16880	9.5 31.04						
Shoe: 900mm	1.5 5'	-	-	-	-	*18.9*40810	14.1 30420	*14.8*32030	10.4 22420	12.1 26110	8.0 17460	11.0 24840	7.6 16640	9.5 31.06						
+ 36"	0 0'	*15.2*33550	*15.2*33550	*19.5*42140	13.9 29930	*15.3*33110	10.2 22050	12.0 25950	8.0 17310	12.0 25670	8.0 17310	12.0 25670	7.8 17140	9.2 30.24						
CWT: 9050kg	-1.5 -5'	*24.7*53800	21.5 46220	*19.1*41410	13.9 29890	*15.1*32680	10.2 21980	-	-	-	-	-	-	-	-	-	-	-	-	-
19960 lb	-3 -10'	*22.6*48990	21.8 46780	*17.7*38290	14.0 30230	*13.8*29480	10.3 22340	-	-	-	-	-	-	-	-	-	-	-	-	-
	-4.5 -15'	*18.7*40230	*18.7*40230	*14.4*30620	14.4*30620	-	-	-	-	-	-	-	-	-	-	-	-	-	-	-
Boom: 7m	7.5 25'	-	-	-	-	-	-	-	-	-	-	-	-	-	-	-	-	-	-	-
+ 23'	6 20'	-	-	-	-	-	-	-	-	-	-	-	-	-	-	-	-	-	-	-
Arm: 3.35m	4.5 15'	*18.0*38410	*18.0*38410	*13.8*29720	*13.8*29720	*11.7*25510	11.2 24200	*10.7*23310	8.5 18370	*9.7*21300	7.3 16140	9.9 32.54								
+ 11'	3 10'	*22.9*49040	22.6 48690	*16.1*34830	14.9 32090	*13.0*28280	10.8 23350	*11.4*24720	8.0 17930	*10.0*22020	6.9 15310	10.2 33.32								
Shoe: 900mm	1.5 5'	*15.8*38150	*15.8*38150	*18.1*39080	14.3 30780	*14.2*30820	10.5 22590	*12.0*26110	8.0 17520	10.0 22460	6.8 15080	10.2 33.33								
+ 36"	0 0'	*19.4*45250	*19.4*45250	*19.2*41520	13.9 30020	*15.0*32540	10.2 22070	12.0 25870	8.0 17220	10.5 23040	7.0 15420	9.9 32.57								
CWT: 9050kg	-1.5 -5'	*25.9*56170	21.3 45770	*19.3*41930	13.8 29740	*15.2*32990	10.1 21840	12.0 25780	7.9 17150	11.2 24680	7.5 16460	9.5 30.98								
19960 lb	-3 -10'	*24.3*52670	21.5 46160	*18.6*40190	13.9 29870	*14.6*31580	10.2 21940	-	-	-	-	-	-	-	-	-	-	-	-	-
	-4.5 -15'	*21.3*46030	*21.3*46030	*16.5*35400	14.1 30420	*12.4*27290	10.4 22950	-	-	-	-	-	-	-	-	-	-	-	-	-
Boom: 7m	7.5 25'	-	-	-	-	-	-	-	-	-	-	-	-	-	-	-	-	-	-	-
+ 23'	6 20'	-	-	-	-	-	-	-	-	-	-	-	-	-	-	-	-	-	-	-
Arm: 3.9m	4.5 15'	-	-	-	-	-	-	-	-	-	-	-	-	-	-	-	-	-	-	-
+ 12'10"	3 10'	*20.8*44730	*20.8*44730	*15.1*32520	15.0 32280	*12.3*26680	10.8 23360	*10.8*23440	8.0 17860	*8.1*17810	6.4 14120	10.7 34.96								
Shoe: 900mm	1.5 5'	*21.6*51460	21.6 46610	*17.2*37220	14.3 30750	*13.6*29480	10.4 22480	*11.5*25060	8.0 17360	*8.6*18860	6.3 13880	10.7 34.97								
+ 36"	0 0'	*21.4*49680	21.1 45350	*18.6*40310	13.8 29760	*14.6*31570	10.1 21830	12.0 25630	7.9 16980	*9.3*20550	6.4 14140	10.4 34.25								
CWT: 9050kg	-1.5 -5'	*26.0*56360	21.0 45040	*19.1*41470	13.6 29300	*15.0*32530	10.0 21490	12.0 25430	7.8 16790	10.2 22540	6.8 14970	10.0 32.74								
19960 lb	-3 -10'	*24.9*53940	21.1 45270	*18.7*40590	13.6 29290	*14.8*31910	9.9 21460	*11.8*25320	7.8 16900	*11.3*24840	7.5 16680	9.3 30.34								
	-4.5 -15'	*22.5*48630	21.4 45980	*17.2*37120	13.8 29710	*13.4*28610	10.1 21850	-	-	-	-	-	-	-	-	-	-	-	-	-
	-6.0 -20'	*18.1*38590	*18.1*38590	*13.6*28630	*13.6*28630	-	-	-	-	-	-	-	-	-	-	-	-	-	-	-
Boom: 7m	7.5 25'	-	-	-	-	-	-	-	-	-	-	-	-	-	-	-	-	-	-	-
+ 23'	6 20'	-	-	-	-	-	-	-	-	-	-	-	-	-	-	-	-	-	-	-
Arm: 4.8m	4.5 15'	-	-	-	-	-	-	-	-	-	-	-	-	-	-	-	-	-	-	-
+ 15'9"	3 10'	*17.6*37730	*17.6*37730	*13.2*28570	*13.2*28570	*11.0*23960	10.9 23540	*9.8*21310	8.0 17860	*7.6*16690	5.7 12600	11.4 37.33								
Shoe: 900mm	1.5 5'	*22.0*47410	22.0 47380	*15.7*33890	14.4 30990	*12.5*27130	10.4 22480	*10.7*23240	8.0 17230	*8.0*17670	5.6 12350	11.4 37.34								
+ 36"	0 0'	*24.7*53320	21.0 45190	*17.5*37950	13.7 29620	*13.7*29770	10.0 21630	*11.5*24890	7.8 16710	8.6 18930	5.7 12500	11.2 36.67								
CWT: 9050kg	-1.5 -5'	*25.7*55590	20.6 44270	*18.6*40230	13.4 28830	*14.5*31450	9.8 21070	11.0 25010	7.6 16360	9.0 19890	5.9 13100	10.8 35.27								
19960 lb	-3 -10'	*25.4*55000	20.5 44140	*18.8*40610	13.3 28560	*14.7*31830	9.7 20850	11.6 24900	7.5 16260	9.9 21790	6.5 14320	10.1 33.05								
	-4.5 -15'	*23.9*51690	20.7 44570	*18.0*38820	13.3 28730	*14.1*30380	9.7 20980	*11.1*24500	7.6 16820	*10.8*23910	7.5 16640	9.1 29.82								
	-6.0 -20'	*20.9*44790	*20.9*44790</																	

SPECIFICATIONS.

LIFTING CAPACITY EC480DL retractable undercarriage

	Lifting Point		4.5m (15')				6m (20')				7.5m (25')				9m (30')				Max. Reach					
	m		along t	lb	across t	lb	along t	lb	across t	lb	along t	lb	across t	lb	along t	lb	across t	lb	along t	lb	across t	lb	Max. ft	
Boom : 6.5m	7.5	25'	-	-	-	-	-	-	-	-	-	-	-	-	-	-	-	-	*12.4*27480	*12.4*27480	7.2	23.49		
+ 21'4"	6	20'	-	-	-	-	*13.4*29120	*13.4*29120	*12.4*27090	11.9	25510	-	-	-	-	-	-	-	*12.3*27080	10.4	23110	8.1	26.57	
Arm : 2.55m	4.5	15'	*20.0*42810	*20.0*42810	*15.3*33050	*15.3*33050	*13.1*28570	11.6	25000	-	-	-	-	-	-	-	-	-	*12.3*27210	9.3	20530	8.7	28.44	
+ 8'4"	3	10'	*24.4*52770	23.4	50550	*17.4*37590	15.5	33380	*14.2*30750	11.3	24320	-	-	-	-	-	-	-	*12.5*27640	8.7	19300	8.9	29.33	
Shoe : 900mm	1.5	5'	*17.5*43240	*17.5*43240	*19.0*41130	15.0	32300	*15.1*32690	11.0	23730	-	-	-	-	-	-	-	-	13.0	28190	8.6	19030	8.9	29.34
+ 36"	0	0'	*25.7*57710	22.6	48510	*19.7*42620	14.7	31740	*15.5*33580	10.8	23380	-	-	-	-	-	-	-	*13.2*29010	8.9	19680	8.7	28.48	
CWT : 9750kg	-1.5	-5'	*25.3*54920	22.6	48680	*19.3*41720	14.7	31650	*15.1*32540	10.8	23360	-	-	-	-	-	-	-	*13.5*29710	9.8	21550	8.1	26.64	
21500 lb	-3	-10'	*22.6*49030	*22.6*49030	*17.4*37610	14.9	32040	-	-	-	-	-	-	-	-	-	-	-	*13.6*29980	11.6	25680	7.2	23.61	
	-4.5	-15'	*17.5*37360	*17.5*37360	-	-	-	-	-	-	-	-	-	-	-	-	-	-	*13.0*29440	*13.0*29440	5.8	18.43		
Boom : 7m	7.5	25'	-	-	-	-	-	-	-	*11.3*25070	*11.3*25070	-	-	-	-	-	-	-	*11.4*25260	11.0	24660	7.9	25.60	
+ 23'	6	20'	-	-	-	-	*13.1*28290	*13.1*28290	*11.7*25540	*11.7	25410	-	-	-	-	-	-	-	*11.4*25040	9.3	20700	8.7	28.45	
Arm : 2.55m	4.5	15'	*20.2*44520	*20.2*44520	*15.2*32690	*15.2*32690	*12.7*27540	11.5	24740	*11.5*25240	8.7	18820	*11.5*25220	8.4	18620	9.2	30.20							
+ 8'4"	3	10'	-	-	-	-	*17.3*37410	15.2	32720	*13.8*29970	11.1	23980	*12.0*26120	9.0	18510	*11.6*25650	8.0	17600	9.5	31.04				
Shoe : 900mm	1.5	5'	-	-	-	-	*18.9*40810	14.7	31670	*14.8*32030	10.8	23350	*12.4	27030	8.0	18200	12.0	25720	7.9	17360	9.5	31.06		
+ 36"	0	0'	*15.2*33550	*15.2*33550	*19.5*42140	14.5	31180	*15.3*33110	10.7	22980	12.5	26870	8.4	18060	12.0	26580	8.1	17880	9.2	30.24				
CWT : 9750kg	-1.5	-5'	*24.7*53800	22.4	48100	*19.1*41410	14.4	31140	*15.1*32680	10.6	22920	-	-	-	-	-	-	-	*12.5*27630	8.8	19360	8.7	28.52	
21500 lb	-3	-10'	*22.6*48990	*22.6	48660	*17.7*38290	14.6	31480	*13.8*29480	10.8	23280	-	-	-	-	-	-	-	*12.7*28050	10.1	22500	7.9	25.71	
	-4.5	-15'	*18.7*40230	*18.7*40230	*14.4*30620	*14.4*30620	-	-	-	-	-	-	-	-	-	-	-	-	*12.5*27390	*12.5*27390	6.6	21.38		
Boom : 7m	7.5	25'	-	-	-	-	-	-	-	*10.0*22020	*10.0*22020	-	-	-	-	-	-	-	*9.8*21700	9.6	21430	8.7	28.33	
+ 23'	6	20'	-	-	-	-	-	-	-	*10.6*23200	*10.6*23200	*10.2*22450	9.0	19430	*9.6*21180	8.3	18470	9.5	30.92					
Arm : 3.35m	4.5	15'	*18.0*38410	*18.0*38410	*13.8*29720	*13.8*29720	*11.7*25510	11.7	25140	*10.7*23310	8.9	19120	*9.7*21300	7.6	16820	9.9	32.54							
+ 10'12"	3	10'	*22.9*49040	*22.9*49040	*16.1*34830	15.4	33340	*13.0*28280	11.3	24280	*11.4*24720	9.0	18680	*10.0*22020	7.2	15970	10.2	33.32						
Shoe : 900mm	1.5	5'	*15.8*38150	*15.8*38150	*18.1*39080	14.8	32030	*14.2*30820	10.9	23530	*12.0*26110	9.0	18260	11.0	23260	7.1	15740	10.2	33.33					
+ 36"	0	0'	*19.4*45250	*19.4*45250	*19.2*41520	14.5	31270	*15.0*32540	10.7	23010	12.4	26790	8.3	17970	10.8	23870	7.3	16100	9.9	32.57				
CWT : 9750kg	-1.5	-5'	*25.9*56170	22.2	47650	*19.3*41930	14.4	30990	*15.2*32990	10.6	22780	12.4	26700	8.3	17890	11.6	25560	7.8	17180	9.5	30.98			
21500 lb	-3	-10'	*24.3*52670	22.3	48040	*18.6*40190	14.4	31120	*14.6*31580	10.6	22870	-	-	-	-	-	-	-	*12.0*26450	8.8	19400	8.7	28.43	
	-4.5	-15'	*21.3*46030	*21.3*46030	*16.5*35400	14.7	31670	*12.4*27290	10.9	23920	-	-	-	-	-	-	-	-	*12.2*26880	10.7	23990	7.6	24.59	
Boom : 7m	7.5	25'	-	-	-	-	-	-	-	-	-	-	-	*9.3*18790	9.2*18790	*7.9*17540	*7.9*17540	9.3	30.24					
+ 23'	6	20'	-	-	-	-	-	-	-	*9.8*21340	*9.8*21340	*9.4*20670	9.1	19530	*7.8*17150	7.6	16910	10.0	32.68					
Arm : 3.9m	4.5	15'	-	-	-	-	*12.6*27250	*12.6*27250	*10.9*23760	*10.9*23760	*10.0*21830	8.9	19130	*7.8*17280	7.0	15490	10.4	34.21						
+ 12'10"	3	10'	*20.8*44730	*20.8*44730	*15.1*32520	*15.1*32520	*12.3*26680	11.3	24290	*10.8*23440	9.0	18610	*8.1*17810	6.7	14740	10.7	34.96							
Shoe : 900mm	1.5	5'	*21.6*51460	*21.6	48490	*17.2*37220	14.8	32000	*13.6*29480	10.9	23420	*11.5*25060	8.0	18110	*8.6*18860	6.6	14510	10.7	34.97					
+ 36"	0	0'	*21.4*49680	*21.4	47230	*18.6*40310	14.4	31010	*14.6*31570	10.6	22770	*12.1*26290	8.2	17720	*9.3*20550	6.7	14780	10.4	34.25					
CWT : 9750kg	-1.5	-5'	*26.0*56360	21.8	46920	*19.1*41470	14.2	30550	*15.0*32530	10.4	22420	12.2	26350	8.1	17540	*10.5*23270	7.1	15650	10.0	32.74				
21500 lb	-3	-10'	*24.9*53940	21.9	47150	*18.7*40590	14.2	30540	*14.8*31910	10.4	22400	*11.8*25320	8.2	17650	*11.3*24840	7.9	17410	9.3	30.34					
	-4.5	-15'	*22.5*48630	22.3	47860	*17.2*37120	14.4	30960	*13.4*28610	10.5	22780	-	-	-	-	-	-	-	*11.6*25580	9.4	20890	8.2	26.78	
	-6.0	-20'	*18.1*38590	*18.1*38590	*13.6*28630	*13.6*28630	-	-	-	-	-	-	-	-	-	-	-	-	*11.6*25470	*11.6*25470	6.7	21.50		
Boom : 7m	7.5	25'	-	-	-	-	-	-	-	-	-	-	-	*7.9*17370	*7.9*17370	*7.3*16110	*7.3*16110	10.1	32.96					
+ 23'	6	20'	-	-	-	-	-	-	-	-	-	-	-	*8.2*18040	*8.2*18040	*7.2*15920	6.8	15020	10.8	35.21				
Arm : 4.8m	4.5	15'	-	-	-	-	-	-	-	*9.6*20830	*9.6*20830	*8.9*19460	*8.9	19240	*7.3*16120	6.3	13840	11.2	36.63					
+ 15'9"	3	10'	*17.6*37730	*17.6*37730	*13.2*28570	*13.2*28570	*11.0*23960	*11.0*23960	*9.8*21310	9.0	18610	*7.6*16690	6.0	13170	11.4	37.33								
Shoe : 900mm	1.5	5'	*22.0*47410	*22.0*47410	*15.7*33890	15.0	32240	*12.5*27130	10.9	23420	*10.7*23240	8.0	17980	*8.0*17670	5.9	12930	11.4	37.34						
+ 36"	0	0'	*24.7*53320	21.9	47070	*17.5*37950	14.3	30870	*13.7*29770	10.5	22560	*11.5*24890	8.1	17450	*8.7*19220	5.9	13090	11.2	36.67					
CWT : 9750kg	-1.5	-5'	*25.7*55590	21.5	46150	*18.6*40230	14.0	30080	*14.5*31450	10.2	22010	*12.0*25920	7.9	17110	9.4	20630	6.2	13710	10.8	35.27				
21500 lb	-3	-10'	*25.4*55000	21.4	46020	*18.8*40610	13.8	29810	*14.7*31830	10.1	21780	12.0	25820	7.9	17010	10.2	22610	6.8	14990	10.1	33.05			
	-4.5	-15'	*23.9*51690	21.6	46450	*18.0*38820	13.9	29980	*14.1*30380	10.2	21920	*11.1*24500	8.0	17570	*10.8*23910	7.8	17390	9.1	29.82					
	-6.0	-20'	*20.9*44790	*20.9*44790	*15.8*33850	14.2	30650	*12.0*25300	10.4	22580	-	-	-	-	-	-	-	-	*11.3*24940	9.9	22340	7.8	25.20	



EQUIPMENT.

STANDARD EQUIPMENT

	EC340D	EC380D	EC480D
Engine			
Turbocharged, 4 stroke diesel engine with water cooling, direct injection and charged air cooler that meets Tier 4i (Stage IIIB) requirements	•	•	•
Air filter with indicator	•	•	•
Air intake heater	•	•	•
Cyclone pre-cleaner	•	•	•
Electric engine shut-off	•	•	•
Fuel filter and water separator	•	•	•
Alternator, 80 A	•	•	•
Electric/Electronic control system			
Contronics	•	•	•
- Advanced mode control system	•	•	•
- Self-diagnostic system	•	•	•
CareTrack Satellite	•	•	•
CareTrack 3 yr subscription	•	•	•
Machine status indication	•	•	•
Engine speed sensing power control	•	•	•
Automatic idling system	•	•	•
One-touch power boost	•	•	•
Safety stop/start function	•	•	•
Adjustable LCD color monitor	•	•	•
Master electrical disconnect switch	•	•	•
Engine restart prevention circuit	•	•	•
High-capacity halogen lights:	•	•	•
- Frame-mounted 2	•	•	•
- Boom-mounted 2	•	•	•
Batteries, 2 x 12 V / 200 Ah	•	•	•
Start motor, 24 V / 7 kW	•	•	•
Travel alarm	•	•	•
Hydraulic system			
Automatic sensing hydraulic system	•	•	•
- 2-pump flow bucket circuit	•	•	•
- Summation system	•	•	•
- Boom priority	•	•	•
- Arm priority	•	•	•
- Swing priority	•	•	•
Boom, arm regeneration valves	•	•	•
Swing anti-rebound valves	•	•	•
Boom and arm holding valves	•	•	•
Multi-stage filtering system	•	•	•
Cylinder cushioning	•	•	•
Cylinder contamination seals	•	•	•
Auxiliary hydraulic valve	•	•	•
Automatic two-speed travel motors	•	•	•
Hydraulic oil, longlife oil 46	•	•	•
Frame			
Access way with handrail	•	•	•
Tool storage area	•	•	•
Punched metal anti-slip plates	•	•	•
Undercover (heavy-duty)	•	•	•
Full height counterweight:			
7 000kg(15,440 lb)	•		
7 550kg(16,650 lb)		•	
9 750kg(21,500 lb)			•
Cab and interior			
ROPS (ISO12117-2) certified cab	•	•	•
Silicon oil and rubber mounts with spring	•	•	•
Pilot control pattern change	•	•	•
Travel pedals and hand levers	•	•	•
Straight Travel pedal	•	•	•
Fabric seat with heater	•	•	•
Adjustable operator seat and joystick control console	•	•	•
Control joysticks with 4 switches each	•	•	•
Heater & air-conditioner, automatic	•	•	•
Flexible antenna	•	•	•
AM/FM stereo with CD player and MP3 input	•	•	•
Control lock out lever	•	•	•

	EC340D	EC380D	EC480D
Undercarriage			
Cab, all-weather sound suppressed, includes:	•	•	•
- Cup holders	•	•	•
- Door locks	•	•	•
- Tinted glass	•	•	•
- Floor mat	•	•	•
- Horn	•	•	•
- Large storage area	•	•	•
- Pull-up type front window	•	•	•
- Removable lower windshield	•	•	•
- Seat belt	•	•	•
- Safety glass	•	•	•
- Sun screens, front, roof, rear	•	•	•
- Windshield wiper with intermittent feature	•	•	•
Opening top hatch	•	•	•
Rear view camera	•	•	•
Master key	•	•	•
Track shoes			
Undercover (heavy-duty)	•	•	•
Hydraulic track adjusters	•	•	•
Greased and sealed track link	•	•	•
Track Guard	•	•	•
Track shoes			
800 mm (32") with triple grousers	•	•	
900 mm (36") with triple grousers			•
Digging equipment			
Boom: 6,45 m (21'2") GP	•		
Boom: 6,45 m (21'2") HD		•	
Boom: 7.0 m (23') HD			•
Arm: 3.2 m (10'6") GP	•		
Arm: 3.2 m (10'6") HD		•	
Arm: 3.35 m (11') HD			•
Linkage without lifting eye	•	•	•
Manual centralized lubrication	•	•	•
Service			
Cab entrance platform	•	•	•

OPTIONAL EQUIPMENT

	EC340D	EC380D	EC480D
Engine			
Block heater: 120 V	•	•	•
Oil bath pre-cleaner	•	•	•
Diesel coolant heater, 10 kW	•	•	•
Water separator with heater	•	•	•
Auto engine shutdown	•	•	•
Electric			
Extra lights:	•	•	•
- Cab-mounted 3	•	•	•
- Boom-mounted 2	•	•	•
- Counterweight-mounted 1	•	•	•
Anti-theft system	•	•	•
Rotating warning beacon	•	•	•
Fuel filler pump: 50 l/min (13.2 gpm), with automatic shut-off	•	•	•
Hydraulic system			
Hose rupture valve: boom	•	•	•
Hose rupture valve: arm	•	•	•
Overload warning device	•	•	•
Boom float function	•	•	•

OPTIONAL EQUIPMENT

	EC340D	EC380D	EC480D
Hydraulic piping:	•	•	•
- Work tool management system (up to 18 programmable memories)	•	•	•
- Hammer & shear, 1 and 2 pump flow	•	•	•
- Hammer & shear: variable flow and pressure pre-setting	•	•	•
- Additional return filter	•	•	•
- Slope & rotator	•	•	•
- Grapple	•	•	•
- Oil leak (drain) line	•	•	•
- Quick coupler piping	•	•	•
Volvo hydraulic quick coupler S3	•	•	•
Volvo hydraulic quick coupler U36	•	•	
Volvo hydraulic quick coupler U46			•
Hydraulic oil, biodegradable 46	•	•	•
Hydraulic oil, longlife oil 32	•	•	•
Hydraulic oil, longlife oil 68	•	•	•
Frame			
Hydraulic removable counterweight			•
Full height counterweight:			
5 800 kg (12,790 lb), 6 500 kg (14,330 lb)	•		
6 500 kg (14,330 lb), 7 000 kg (15,440 lb)		•	
8 450 kg (18,630 lb), 9 050 kg (19,960 lb)			•
Cab and interior			
Fabric seat with heater and air suspension	•	•	•
Fixed top hatch	•	•	•
Rain shield	•	•	•
Falling object guard (FOG)	•	•	•
- Frame-mounted	•	•	•
- Cab-mounted	•	•	•
Cab-mounted falling object protective structure (FOPS)	•	•	•
Ashtray and Lighter	•	•	•
Safety net for front window	•	•	•
Lower wiper with intermittent control	•	•	•
Anti-vandalism kit	•	•	•
Undercarriage			
Full track guard	•	•	•
Mechanically retractable width track gauge			•
Track shoes			
600/700/900 mm (24"/28"/36") with triple grousers	•	•	
600/700/800 mm (24"/28"/32") with triple grousers			•
Track shoes 600 mm (24") with double grousers	•	•	•
Digging equipment			
Boom: 6.2 m (20'4") ME	•	•	
Boom: 6.5 m (21'4") ME			•
Arm: 2.6 m (8'6") HD, 3.9 m (12'10")	•	•	
Arm: 2.55 m (8'4") HD, 3.9 m (12'10"), 4.8 m (15'9")			•
Linkage with lifting eye	•	•	•
Service			
Walk way, full, left hand side	•	•	•
Tool kit, daily maintenance	•	•	•
Tool kit, full scale	•	•	•
Automatic lubrication system	•	•	•

SELECTION OF VOLVO OPTIONAL EQUIPMENT

Hose rupture valve, arm



Hammer & shear: variable flow and pressure pre-setting



FOG



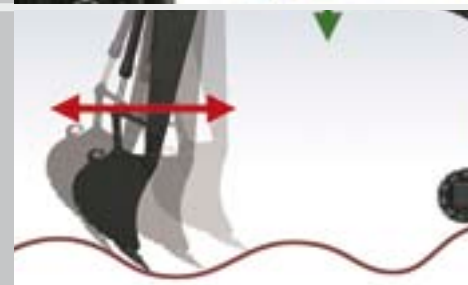
Anti theft



Climate control



Boom float function



VOLVO CONSTRUCTION EQUIPMENT



Volvo Construction Equipment is different. Our machines are designed, built and supported in a different way. That difference comes from an engineering heritage of over 175 years. A heritage of thinking first about the people who actually use the machines. About how to help them be safer, more comfortable, more productive. About the environment we all share. The result of that thinking is a growing range of machines and a global support network dedicated to helping you do more. People around the world are proud to use Volvo.

Not all products are available in all markets. Under our policy of continuous improvement, we reserve the right to change specifications and design without prior notice. The illustrations do not necessarily show the standard version of the machine.

VOLVO

Volvo Construction Equipment
www.volvoce.com

Ref. No 20024201-B
2012.05
Volvo, Global Marketing

English-22
EXC