

VOLVO EXCAVATORS

# ECR145D, ECR235D

14.4-16.82 t / 31,640-37,080 lb, 116 hp | 23.8-27.7 t / 52,380-60,980 lb, 176hp



# A PASSION FOR PERFORMANCE.

At Volvo Construction Equipment, we're not just coming along for the ride. Developing products and services that raise productivity – we are confident we can lower costs and increase profits for industry experts. Part of the Volvo Group, we are passionate about innovative solutions to help you work smarter – not harder.

## Helping you to do more

Doing more with less is a trademark of Volvo Construction Equipment. High productivity has long been married to low energy consumption, ease of use and durability. When it comes to lowering life-cycle costs, Volvo is in a class of its own.

## Designed to fit your needs

There is a lot riding on creating solutions that are suited to the particular needs of different industry applications. Innovation often involves high technology – but it doesn't always have to. Some of our best ideas have been simple, based on a clear and deep understanding of our customers' working lives.



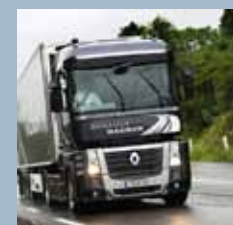
## You learn a lot in 175 years

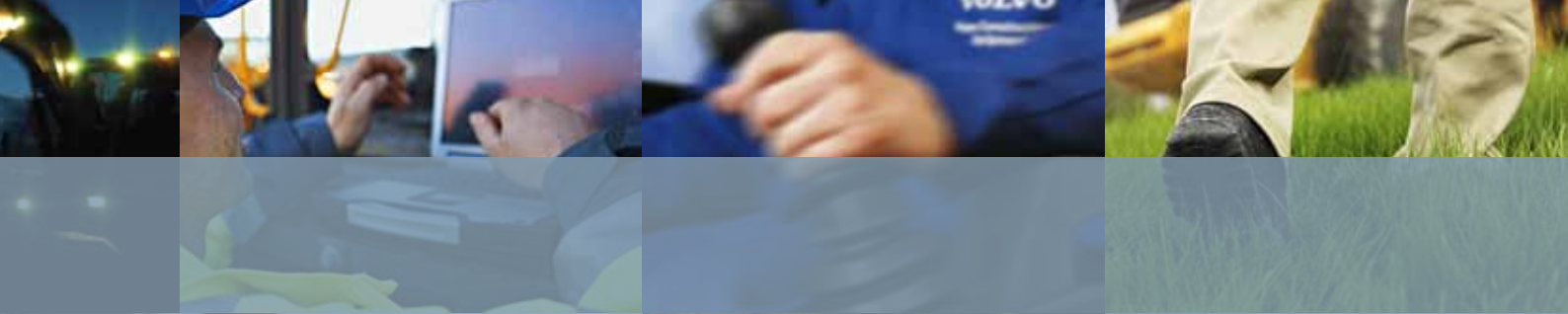
Over the years, Volvo has advanced solutions that have revolutionized the use of construction equipment. No other name speaks Safety louder than Volvo. Protecting operators, those around them and minimizing our environmental impact are traditional values that continue to shape our product design philosophy.

## We're on your side

We back the Volvo brand with the best people. Volvo is truly a global enterprise, one that is on standby to support customers quickly and efficiently – wherever they are.

## We have a passion for performance.





UD Trucks

Volvo Buses

Volvo Construction Equipment

Volvo Penta

Volvo Aero

Volvo Financial Services

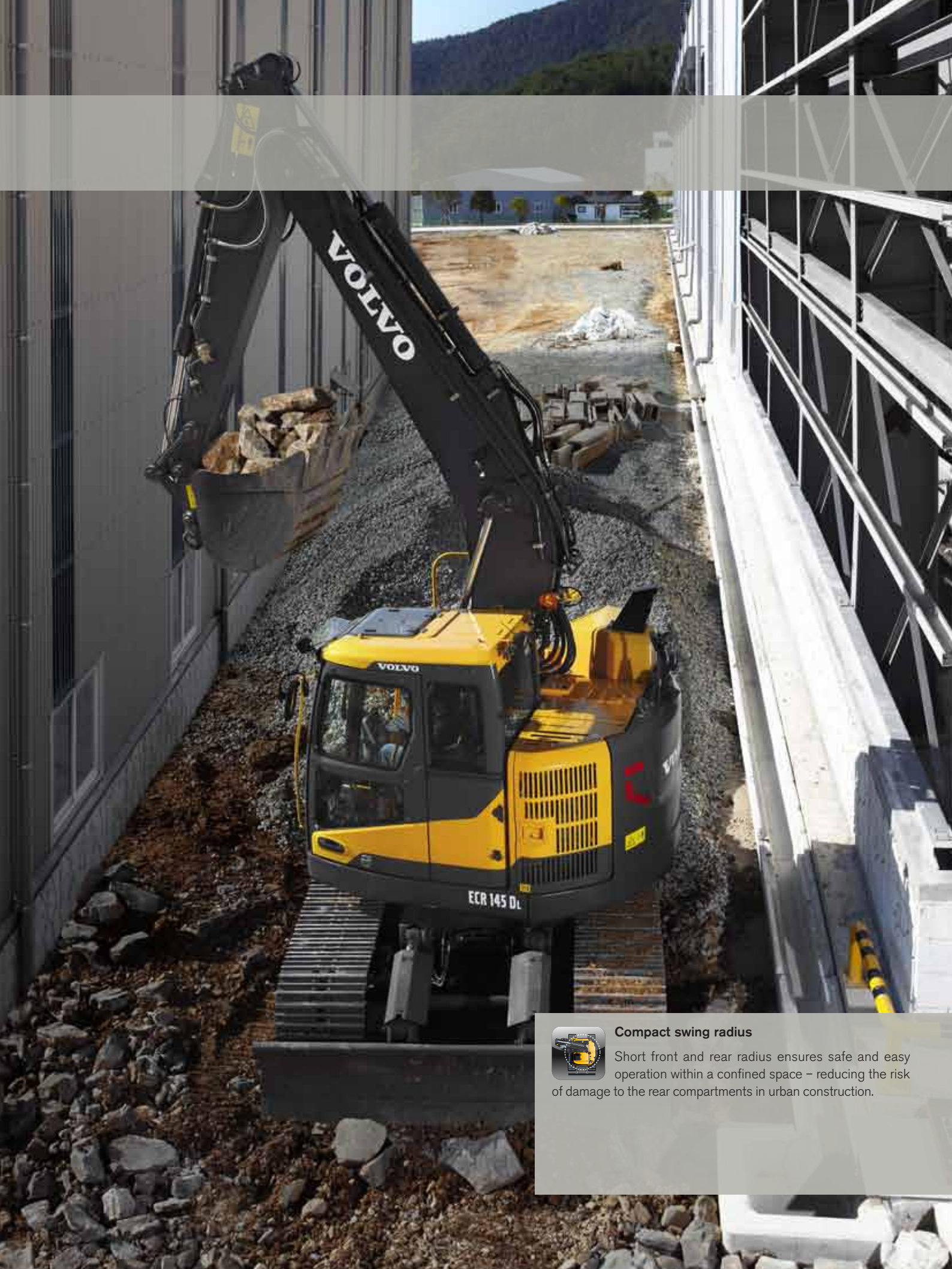
# GET THE JOB DONE.

Get productive with these short swing radius machines – perfect for maneuvering in and out of confined areas with ease. Featuring class-leading digging depth with a 2.4 m (8 ft) flat level and superior stability, you can achieve more with Volvo.



## Narrow design

These machines feature a narrow design compared to the classic crawler excavators but still maintain the stability, balance and performance that you would expect from a conventional model. The boom is positioned in the center of the machine.



#### Compact swing radius

Short front and rear radius ensures safe and easy operation within a confined space – reducing the risk of damage to the rear compartments in urban construction.

# ENGINEERED FOR EFFICIENCY.



## Efficient engine

Volvo's fuel efficient Stage IIIB/ Tier 4 Interim diesel engine gives you more power, while consuming less fuel. Benefit from reduced operating costs as well as low emission levels for ultimate efficiency and environmental care.

Fuel efficiency is at the heart of Volvo's ECR145D and ECR235D. Featuring the Stage IIIB/ Tier 4 Interim engine, ECO mode and improved hydraulics, these machines deliver reduced fuel consumption and cycle times, as well as increased digging performance. Save time and money with Volvo.

**Regeneration**

Soot collected by the Diesel Particulate Filter is oxidized every eight hours, depending on application. Volvo's unique, operator controlled, 25 minute system does not interrupt operation, performance or productivity. For increased safety, regeneration can be postponed.

**ECO mode**

Volvo's unique ECO mode features sophisticated electronic pump control technology for increased fuel efficiency. It can be used in-conjunction with any working mode. There is no loss of performance in the majority of operating conditions.



**Auto idling system**

Reduces rpm to idle when the controls are inactive for a specified time – between 3-20 seconds. The length of time is set up via the I-ECU monitor. This system delivers reduced fuel consumption and running costs.

**Work modes**

For added versatility operators can select the best work mode for the task at hand to ensure optimum performance and fuel efficiency. Easily choose the correct mode, within the throttle control, according to your working conditions.

# MORE POWER. MORE SPEED.

Volvo understands that machines need to perform day in, day out. With strong digging power and various work modes the ECR145D and ECR235D are ideally suited to extracting hard and compact materials. Additional pump flow provides faster cycle times. Trust Volvo to increase your productivity.

## Idle (I) Mode

For reduced fuel consumption and more environmental care, the higher I-stage of the Idle Mode is used for auto idling – which is highly recommended when truck loading. The second stage (lower I-stage) is typically used for warm up and cool down.



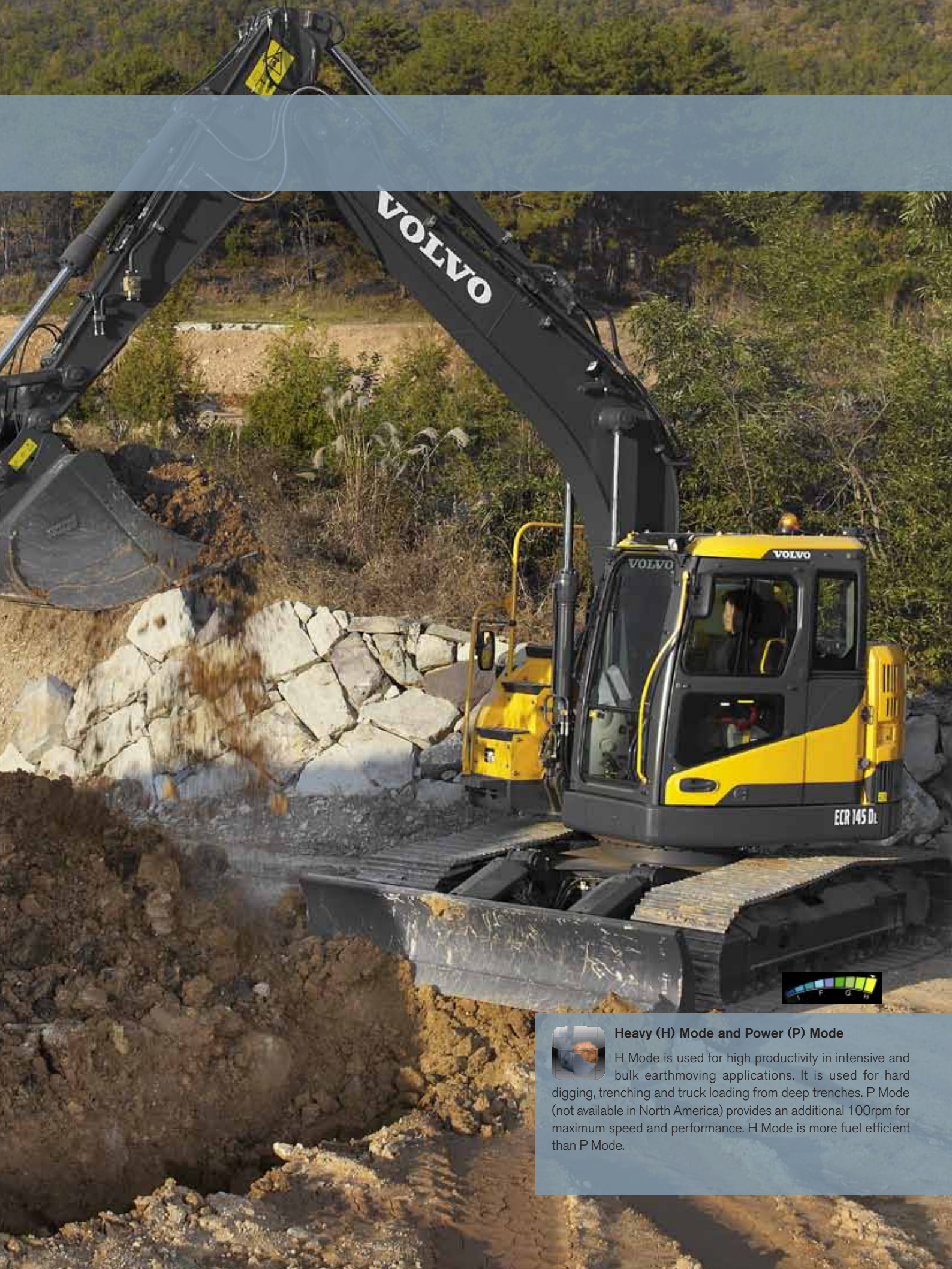
## Fine (F) Mode

The Fine control mode provides high hydraulic pressure setting same as power boost function for maximum lifting capability. It is also used for precise grading operation.

## General (G) Mode

The General Mode features three different stages of speed. The highest G setting is recommended for maximum fuel saving and good productivity in digging and truck loading. The middle and low G settings can be used for ditching, levelling, slope finishing and spreading where moderate speed is needed.





#### **Heavy (H) Mode and Power (P) Mode**

H Mode is used for high productivity in intensive and bulk earthmoving applications. It is used for hard digging, trenching and truck loading from deep trenches. P Mode (not available in North America) provides an additional 100rpm for maximum speed and performance. H Mode is more fuel efficient than P Mode.

# WORK IN COMFORT.



## Industry-leading cab

Volvo's spacious convex cab design is Roll Over Protective Structure (ROPS) certified for increased peace of mind in the unlikely event of machine roll over. The cab features a sliding door and a tilting type left-hand console for easy entry and exit to the machine.

VOLVO

Space matters – especially in the cab. That's why Volvo has designed a premier operator environment with built in safety, comfort and all-round visibility. Featuring ample leg room and easy to access controls for increased productivity. See everything from all angles in the Volvo's spacious cab.

#### I-ECU monitor

Large color monitor provides excellent clarity in all lighting conditions. Using a control panel, the operator and service technician can make quick visual and diagnostic checks, increasing uptime and productivity. The monitor also displays camera images – up to four at a time.

#### Visibility

Slim cab pillars and large expanses of glass ensure excellent all-round visibility. Enhanced vision delivers improved safety and also allows operators to increase their productivity.



#### Seat

Featuring nine different adjustments for superb operator comfort and reduced vibration, Volvo's superior seat provides comfort to all operators – resulting in more productivity.

#### Control panel

Optimally positioned control panel ensures there is no need for operators to move or lean forward to change settings or navigate through the I-ECU monitor. This increases operator comfort and safety.

# MORE UPTIME.



## Service points

Large, wide compartment doors provide ground level access (wherever possible) to grouped filters and greasing points, reducing maintenance downtime. Excellent centralized access for quick servicing and increased uptime.

## Anti-slip plates

Added operator and service mechanic safety from punched anti-slip plate on the superstructure. This provides superb grip, especially in wet or icy conditions.



#### Service access

Conveniently located boom and arm greasing points are grouped for simplicity and ease of access. In general applications greasing is needed at 50 hour intervals but this can be extended to 500 hours with long life bushings. Slew ring greasing is at 250 hours.



#### Air filters

Conveniently located air filter elements offer easy access for more machine uptime. The primary air filter removes all major particles and may be cleaned up to five times or used for one year. A secondary protective filter is in place in case of malfunction.



#### Main control valve

Access to the main control valve is available at ground level, minimizing the amount of service downtime.

# TOP PERFORMANCE DESERVES SUPPORT.

The day you receive your new Volvo short swing radius crawler excavator is just the start of your working relationship with Volvo. From service and maintenance to our CareTrack telematics system – Volvo has a comprehensive and sophisticated aftermarket portfolio to continuously add value to your business.

Volvo designed and built your machines, so no-one knows how to keep them working in top condition more than us. When it comes to your machine, our Volvo trained technicians are the experts.

Our technicians work with industry leading diagnostic tools and techniques, using only Genuine Volvo Parts to deliver the highest levels of quality and service. Talk to your Volvo dealer about how genuine Volvo services can best provide the service and maintenance plan that is the right fit for you and your business.



State-of-the-art machines require state-of-the-art support and your Volvo dealer can provide a catalogue of services designed to get the most out of your machine, helping you maximise uptime, productivity and residual value. Your Volvo dealer can provide a number of sophisticated support offers, including:

Service plans ranging from routine wear inspections, through to comprehensive maintenance and repair agreements.

Analysis and diagnostics to help you understand how your machine is running, highlight potential maintenance issues and identify where performance can be improved.

Eco Operator training courses can help your operators work towards a safer, more productive and fuel efficient performance.



Transmitting data...

76% fuel level



#### CareTrack\*

Each Volvo short swing radius crawler excavator comes standard equipped with CareTrack, the Volvo telematics system. CareTrack provides information for better planning and smarter working; including fuel consumption reports, location reports and service reminders. Save fuel. Reduce costs. Maximise profitability. You can with CareTrack.

\* In markets where CareTrack is available

# PROFILING YOUR NEW EXCAVATOR.

## Boom and arm

Available with a mono or two piece boom, and with different arm configurations, for increased flexibility and versatility.

## CareTrack\*

Volvo's telematics system guides machine owners towards optimized productivity and their next service – remotely.



## Power and speed

Perform at a higher level with increased digging power and faster cycle times for greater productivity.



## Swing radius

Short front and rear radius ensures safe and easy operation within a confined space.

## ECO mode

Volvo's unique ECO mode improves fuel efficiency without sacrificing performance.



## Undercarriage

Three-piece, high tensile steel undercarriage is designed and built to withstand the toughest conditions.

\* In markets where CareTrack is available





#### **Volvo cab**

Spacious, convex cab design with excellent all-round visibility and easy to access controls. ROPS certified.

#### **MATRIS**

Machine Tracking Information System (MATRIS) displays machine performance data on an easy to understand graph.



#### **Efficient engine**

Volvo's fuel efficient Stage IIIB/ Tier 4 Interim diesel engine gives you more power while consuming less fuel.



#### **Service access**

Premium service access from large opening doors and grouped service points.

#### **Auxiliary hydraulics**

Optional, additional auxiliary hydraulic piping kits allow other hydraulic attachments like hydraulic breakers and rotating grabs to be operated.

#### **Reinforced frames**

Reinforced undercarriage and superstructure for improved durability and reliability.



# VOLVO ECRI45D, ECR235D IN DETAIL.

## Engine

The latest generation, Volvo engine Stage IIIB/Tier 4 Interim emissions compliant diesel engine fully meets the demands of the latest, emissions regulations. The engine uses precise, highpressure fuel injectors, turbo charger and air-to-air intercooler, and electronic engine controls to optimize machine performance. Air Filter: 2-stage air cleaner. Automatic Idling System: Reduces engine speed to idle when the levers and pedals are not activated resulting in less fuel consumption and low cab noise levels.

### ECR145D

Engine Stage IIIB/Tier 4 Interim	Volvo	D4H
Max power at	r/s / r/min	33/2,000
Net, ISO 9249/SAE J1349	kW / hp	84/114
Gross, ISO 14396/SAE J1995	kW / hp	85/116
Max torque at	Nm / r/min lb.ft	535/1,500 395
No. of cylinders		4
Displacement	l cu.in	4.0 246
Bore	mm cu.in	101 3.98
Stroke	mm cu.in	126 4.96

### ECR235D

Engine Stage IIIB/Tier 4 Interim	Volvo	D6H
Max power at	r/s / r/min	30/1,800
Net, ISO 9249/SAE J1349	kW / hp	128/174
Gross, ISO 14396/SAE J1995	kW / hp	129/175
Max torque at	Nm / r/min lb.ft	849/1,350 626
No. of cylinders		6
Displacement	l cu.in	5.7 348
Bore	mm cu.in	98 3.86
Stroke	mm cu.in	126 4.96

## Electrical system

High-capacity electrical system that is well protected. Waterproof double-lock harness plugs are used to secure corrosion-free connections. The main relays and solenoid valves are shielded to prevent damage. The master switch is standard. Contronics provides advanced monitoring of machine functions and important diagnostic information on the I-ECU.

		ECR145D	ECR235D
Voltage	V	24	24
Batteries	V	2 x 12	2 x 12
Battery capacity	Ah	100	150
Alternator	V / Ah	28 / 110	28 / 110

## Swing system

The swing system uses an axial piston motors, driving a planetary gearbox for maximum torque. An automatic holding brake and anti-rebound valve are standard.

		ECR145D	ECR235D
Max. slew speed	r/min	12.2	11.2
Max. slew torque	kNm lb.ft	41.9 30,912	82.5 60,866

## Drive

Each track is powered by an automatic two-speed shift travel motor. The track brakes are multi-disc, spring-applied and hydraulic released. The travel motor, brake and planetary gears are well protected within the track frame.

Max. drawbar pull	kN lb	119 26,756	200 44,969
Max. travel speed	km/h mph	3.2/5.5 2.0/3.4	3.1/5.5 1.9/3.4
Gradeability	°	35	35

## Undercarriage

The undercarriage has a robust X-shaped frame. Greased and sealed track chains are standard.

Track pads		2 x 46	2 x 49
Link pitch	mm in	171.45 7.0	190 7.8
Shoe width, triple grouser	mm in	500/600/ 750	600/700/ 800/900
Shoe width, triple grouser (HD)	mm in	20/24/30	24/28/32/36
Shoe width, rubber grouser	mm in	600/700 24/28	600 24
Shoe width, double grouser	mm in	500 20	600 24
Bottom rollers		2 x 7	2 x 8
Top rollers		2 x 1	2 x 2

## Hydraulic system

The hydraulic system, also known as the "Automatic Sensing Work Mode," is designed for high-productivity, high-digging capacity, high-maneuvering precision and excellent fuel economy. The summation system, boom, arm and swing priority along with boom, arm and bucket regeneration provides optimum performance. The following important functions are included in the system : Summation system: Combines the flow of both hydraulic pumps to ensure quick cycle times and high productivity. Boom priority: Gives priority to the boom operation for faster raising when loading or performing deep excavations. Arm priority: Gives priority to the arm operation for faster cycle times in leveling and for increased bucket filling when digging. Swing priority: Gives priority to swing functions for faster simultaneous operations. Regeneration system: Prevents cavitation and provides flow to other movements during simultaneous operations for maximum productivity. Power boost: All digging and lifting forces are increased. Holding valves: Boom and arm holding valves prevent the digging equipment from creeping.

		ECR145D	ECR235D
Main pump, Type 2 x variable displacement axial piston pumps			
Maximum flow	l/min	2x124	2x207
	gpm	2x16.4	2x30.4
Pilot pump, Type Gear pump Maximum flow	l/min	20	18
	gpm	5.3	4.8

## Hydraulic motors

Travel: Variable displacement axial piston motor with mechanical brake. Slew: Fixed displacement axial piston motor with mechanical brake

Relief valve setting			
Implement	MPa	32.3/34.3	34.3/36.3
	psi	4,690/4,980	4,980/5,260
	kg/cm <sup>2</sup>	330/350	350/370
Travel circuit	MPa	34.3	34.3
	psi	4,980	4,980
	kg/cm <sup>2</sup>	350	350
Slew circuit	MPa	26.5	27.9
	psi	3,840	4,050
	kg/cm <sup>2</sup>	270	285
Pilot circuit	MPa	3.9	3.9
	psi	570	570
	kg/cm <sup>2</sup>	40	40

## Hydraulic cylinders

		ECR145D	ECR235D
Mono boom		2	2
Bore x Stroke	ø x mm	105x1,055	130x1,420
	ø x in	4.1x41.5	5.1x55.9
1st boom of 2 piece boom		2	2
Bore x Stroke	ø x mm	110x980	130x1,345
	ø x in	4.3x38.6	5.1x53.0
2nd boom of 2 piece boom		1	1
Bore x Stroke	ø x mm	160x765	160x1,070
	ø x in	6.3x30.1	6.3x42.1
Arm		1	1
Bore x Stroke	ø x mm	120x1,045	135x1,540
	ø x in	4.7x41.1	5.3x60.6
Bucket		1	1
Bore x Stroke	ø x mm	100x865	120x1,065
	ø x in	3.9x34.1	4.7x41.9
Dozer blade		2	2
Bore x Stroke	ø x mm	130x270	140x320
	ø x in	5.1x10.6	5.5x12.6

## Service refill capacities

Fuel tank	l	210	321
	gal	55	85
Hydraulic system, total	l	200	280
	gal	53	74
Hydraulic tank	l	59	113
	gal	16	30
Engine oil	l	15.5	25
	gal	4.1	6.6
Engine coolant	l	26.0	30.0
	gal	6.9	7.9
Swing reduction unit	l	3.9	7
	gal	1.0	1.8
Travel reduction unit	l	2x2.2	2x5
	gal	2x0.6	2x1.3

## Cab

The operator's cab has easy access via a wide door opening. The cab is supported on hydraulic dampening mounts to reduce shock and vibration levels. These along with sound absorbing lining provide low noise levels. The cab has excellent all-round visibility. The front windshield can easily slide up into the ceiling, and the lower front glass can be removed and stored in the side door. Integrated air-conditioning and heating system: The pressurized and filtered cab air is supplied by an automatically-controlled fan. The air is distributed throughout the cab from 14 vents. Ergonomic operator's seat: The adjustable seat and joystick console move independently to accommodate the operator. The seat has nine different adjustments plus a seat belt for the operator's comfort and safety.

## Sound Level

Sound level in cab according to ISO 6396

LpA (standard)	dB(A)	71	71
LpA (tropical)	dB(A)	72	72
External sound level according to ISO 6395 and EU Noise Directive (2000/14/EC) and 474-1:2006 +A1:2009			
LwA (standard)	dB(A)	100	101
LwA (tropical)	dB(A)	101	102

# SPECIFICATIONS.

## MAXIMUM PERMITTED BUCKETS

### ECR145DL with 600mm, 24" shoe

		4.6m, 15'1" Boom						4.72m, 15'6" 2-piece Boom					
		2.1m, 6'11" Arm		2.5m, 8'2" Arm		3.0m, 9'10" Arm		2.1m, 6'11" Arm		2.5m, 8'2" Arm		3.0m, 9'10" Arm	
Material density	t/m <sup>3</sup> lb/yd <sup>3</sup>	Max bucket capacity	Max bucket weight	Max bucket capacity	Max bucket weight	Max bucket capacity	Max bucket weight	Max bucket capacity	Max bucket weight	Max bucket capacity	Max bucket weight	Max bucket capacity	Max bucket weight
		ℓ yd <sup>3</sup>	kg lb	ℓ yd <sup>3</sup>	kg lb	ℓ yd <sup>3</sup>	kg lb	ℓ yd <sup>3</sup>	kg lb	ℓ yd <sup>3</sup>	kg lb	ℓ yd <sup>3</sup>	kg lb
<b>For direct fit buckets</b>													
GP Bucket	1.5	875	750	725	600	625	500	850	700	725	600	625	500
	2,530	1.14	0.98	0.95	0.78	0.82	0.65	1.11	0.92	0.95	0.78	0.82	0.65
	1.8	775	650	650	550	550	450	750	650	650	550	550	450
	3,030	1.01	0.85	0.85	0.72	0.72	0.59	0.98	0.85	0.85	0.72	0.72	0.59
HD Bucket	1.8	750	750	625	600	525	500	725	700	625	600	525	500
	3,030	0.98	0.98	0.82	0.78	0.69	0.65	0.95	0.92	0.82	0.78	0.69	0.65
	2	700	700	575	550	500	500	675	650	575	550	500	500
	3,370	0.92	0.92	0.75	0.72	0.65	0.65	0.88	0.85	0.75	0.72	0.65	0.65
<b>For S6 quick fit buckets</b>													
GP Bucket	1.5	825	700	675	550	575	500	825	700	675	550	575	500
	2,530	1.08	0.92	0.88	0.72	0.75	0.65	1.08	0.92	0.88	0.72	0.75	0.65
	1.8	750	600	600	500	500	400	725	600	600	500	500	400
	3,030	0.98	0.78	0.78	0.65	0.65	0.52	0.95	0.78	0.78	0.65	0.65	0.52
HD Bucket	1.8	700	700	575	550	475	450	675	650	575	550	475	450
	3,030	0.92	0.92	0.75	0.72	0.62	0.59	0.88	0.85	0.75	0.72	0.62	0.59
	2	650	650	525	500	450	450	625	600	525	500	450	450
	3,370	0.85	0.85	0.69	0.65	0.59	0.59	0.82	0.78	0.69	0.65	0.59	0.59
<b>For U quick fit buckets</b>													
GP Bucket	1.5	800	650	650	550	550	450	775	650	650	550	550	450
	2,530	1.05	0.85	0.85	0.72	0.72	0.59	1.01	0.85	0.85	0.72	0.72	0.59
	1.8	700	600	575	500	475	400	700	550	575	500	475	400
	3,030	0.92	0.78	0.75	0.65	0.62	0.52	0.92	0.72	0.75	0.65	0.62	0.52
HD Bucket	1.8	675	650	550	550	450	450	650	650	550	550	450	450
	3,030	0.88	0.85	0.72	0.72	0.59	0.59	0.85	0.85	0.72	0.72	0.59	0.59
	2	625	600	500	500	425	400	600	600	500	500	425	400
	3,370	0.82	0.78	0.65	0.65	0.56	0.52	0.78	0.78	0.65	0.65	0.56	0.52

### ECR145DL with 700mm, 28" shoe

<b>For direct fit buckets</b>													
GP Bucket	1.5	875	750	725	600	625	500	875	750	725	600	625	500
	2,530	1.14	0.98	0.95	0.78	0.82	0.65	1.14	0.98	0.95	0.78	0.82	0.65
	1.8	775	650	650	550	550	450	775	650	650	550	550	450
	3,030	1.01	0.85	0.85	0.72	0.72	0.59	1.01	0.85	0.85	0.72	0.72	0.59
HD Bucket	1.8	750	750	625	600	525	500	750	750	625	600	525	500
	3,030	0.98	0.98	0.82	0.78	0.69	0.65	0.98	0.98	0.82	0.78	0.69	0.65
	2	700	700	575	550	500	500	700	700	575	550	500	500
	3,370	0.92	0.92	0.75	0.72	0.65	0.65	0.92	0.92	0.75	0.72	0.65	0.65
<b>For S6 quick fit buckets</b>													
GP Bucket	1.5	825	700	675	550	575	500	825	700	675	550	575	500
	2,530	1.08	0.92	0.88	0.72	0.75	0.65	1.08	0.92	0.88	0.72	0.75	0.65
	1.8	750	600	600	500	500	400	750	600	600	500	500	400
	3,030	0.98	0.78	0.78	0.65	0.65	0.52	0.98	0.78	0.78	0.65	0.65	0.52
HD Bucket	1.8	700	700	575	550	475	450	700	700	575	550	475	450
	3,030	0.92	0.92	0.75	0.72	0.62	0.59	0.92	0.92	0.75	0.72	0.62	0.59
	2	650	650	525	500	450	450	650	650	525	500	450	450
	3,370	0.85	0.85	0.69	0.65	0.59	0.59	0.85	0.85	0.69	0.65	0.59	0.59
<b>For U quick fit buckets</b>													
GP Bucket	1.5	800	650	650	550	550	450	800	650	650	550	550	450
	2,530	1.05	0.85	0.85	0.72	0.72	0.59	1.05	0.85	0.85	0.72	0.72	0.59
	1.8	700	600	575	500	475	400	700	600	575	500	475	400
	3,030	0.92	0.78	0.75	0.65	0.62	0.52	0.92	0.78	0.75	0.65	0.62	0.52
HD Bucket	1.8	675	650	550	550	450	450	675	650	550	550	450	450
	3,030	0.88	0.85	0.72	0.72	0.59	0.59	0.88	0.85	0.72	0.72	0.59	0.59
	2	625	600	500	500	425	400	625	600	500	500	425	400
	3,370	0.82	0.78	0.65	0.65	0.56	0.52	0.82	0.78	0.65	0.65	0.56	0.52

- Note: 1. Bucket size based on ISO 7451, heaped material with a 1:1 angle of repose.  
 2. "Max. permitted sizes" are for reference only and are not necessarily available from the factory.  
 3. Bucket widths are less than bucket's tip radius.

## MAXIMUM PERMITTED BUCKETS

### ECR235DL with 600mm, 24" shoe

		5.7m, 18'8" Boom				5.76m, 18'10" 2-piece Boom			
		2.5m, 8'2" Arm		2.9m, 9'6" Arm		2.5m, 8'2" Arm		2.9m, 9'6" Arm	
		Max bucket capacity	Max bucket weight	Max bucket capacity	Max bucket weight	Max bucket capacity	Max bucket weight	Max bucket capacity	Max bucket weight
Material density	t/m <sup>3</sup> lb/yd <sup>3</sup>	ℓ yd <sup>3</sup>	kg lb	ℓ yd <sup>3</sup>	kg lb	ℓ yd <sup>3</sup>	kg lb	ℓ yd <sup>3</sup>	kg lb
<b>For direct fit buckets</b>									
GP Bucket	1.5	1 475	1 250	1 325	1 100	1 400	1 150	1 275	1 100
	2,530	1.93	1.64	1.73	1.44	1.83	1.50	1.67	1.44
	1.8	1 300	1 100	1 175	1 000	1 225	1 050	1 150	950
	3,030	1.70	1.44	1.54	1.31	1.60	1.37	1.50	1.24
HD Bucket	1.8	1 250	1 250	1 125	1 100	1 175	1 150	1 075	1 050
	3,030	1.64	1.64	1.47	1.44	1.54	1.50	1.41	1.37
	2	1 150	1 150	1 050	1 050	1 100	1 100	1 000	1 000
	3,370	1.50	1.50	1.37	1.37	1.44	1.44	1.31	1.31
<b>For U quick fit buckets</b>									
GP Bucket	1.5	1 350	1 150	1 200	1 000	1 250	1 050	1 150	950
	2,530	1.77	1.50	1.57	1.31	1.64	1.37	1.50	1.24
	1.8	1 200	1 000	1 050	900	1 100	950	1 025	850
	3,030	1.57	1.31	1.37	1.18	1.44	1.24	1.34	1.11
HD Bucket	1.8	1 125	1 100	1 000	1 000	1 050	1 050	975	950
	3,030	1.47	1.44	1.31	1.31	1.37	1.37	1.28	1.24
	2	1 050	1 050	925	900	975	950	900	900
	3,370	1.37	1.37	1.21	1.18	1.28	1.24	1.18	1.18
<b>For S1 quick fit buckets</b>									
GP Bucket	1.5	1 400	1 150	1 250	1 050	1 300	1 100	1 200	1 000
	2,530	1.83	1.50	1.64	1.37	1.70	1.44	1.57	1.31
	1.8	1 225	1 050	1 100	900	1 150	950	1 050	900
	3,030	1.60	1.37	1.44	1.18	1.50	1.24	1.37	1.18
HD Bucket	1.8	1 175	1 150	1 050	1 050	1 100	1 100	1 000	1 000
	3,030	1.54	1.50	1.37	1.37	1.44	1.44	1.31	1.31
	2	1 075	1 050	975	950	1 025	1 000	925	900
	3,370	1.41	1.37	1.28	1.24	1.34	1.31	1.21	1.18

### ECR235DL with 700mm, 28" shoe

<b>For direct fit buckets</b>									
GP Bucket	1.5	1 500	1 250	1 325	1 100	1 425	1 200	1 300	1 100
	2,530	1.96	1.64	1.73	1.44	1.86	1.57	1.70	1.44
	1.8	1 325	1 100	1 175	1 000	1 250	1 050	1 150	950
	3,030	1.73	1.44	1.54	1.31	1.64	1.37	1.50	1.24
HD Bucket	1.8	1 250	1 250	1 125	1 100	1 175	1 150	1 100	1 100
	3,030	1.64	1.64	1.47	1.44	1.54	1.50	1.44	1.44
	2	1 175	1 150	1 050	1 050	1 100	1 100	1 025	1 000
	3,370	1.54	1.50	1.37	1.37	1.44	1.44	1.34	1.31
<b>For U quick fit buckets</b>									
GP Bucket	1.5	1 350	1 150	1 200	1 000	1 275	1 050	1 175	1 000
	2,530	1.77	1.50	1.57	1.31	1.67	1.37	1.54	1.31
	1.8	1 200	1 000	1 050	900	1 125	950	1 025	850
	3,030	1.57	1.31	1.37	1.18	1.47	1.24	1.34	1.11
HD Bucket	1.8	1 150	1 150	1 000	1 000	1 075	1 050	975	950
	3,030	1.50	1.50	1.31	1.31	1.41	1.37	1.28	1.24
	2	1 075	1 050	925	900	1 000	1 000	925	900
	3,370	1.41	1.37	1.21	1.18	1.31	1.31	1.21	1.18
<b>For S1 quick fit buckets</b>									
GP Bucket	1.5	1 400	1 200	1 250	1 050	1 325	1 100	1 225	1 000
	2,530	1.83	1.57	1.64	1.37	1.73	1.44	1.60	1.31
	1.8	1 250	1 050	1 100	900	1 175	1 000	1 075	900
	3,030	1.64	1.37	1.44	1.18	1.54	1.31	1.41	1.18
HD Bucket	1.8	1 175	1 150	1 050	1 050	1 100	1 100	1 025	1 000
	3,030	1.54	1.50	1.37	1.37	1.44	1.44	1.34	1.31
	2	1 100	1 100	975	950	1 025	1 000	950	950
	3,370	1.44	1.44	1.28	1.24	1.34	1.31	1.24	1.24

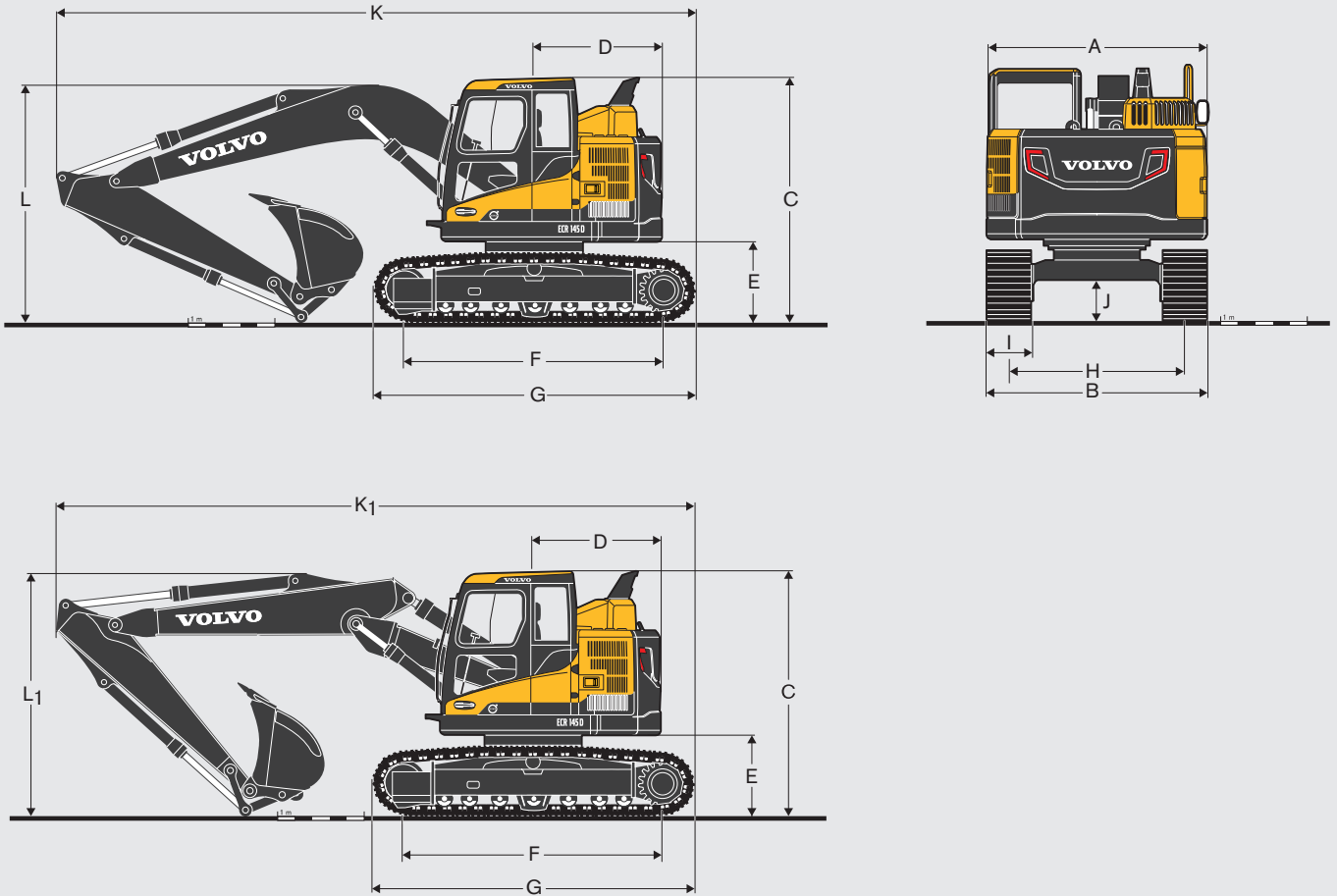
Note: 1. Bucket size based on ISO 7451, heaped material with a 1:1 angle of repose.

2. "Max. permitted sizes" are for reference only and are not necessarily available from the factory.

3. Bucket widths are less than bucket's tip radius.

# SPECIFICATIONS.

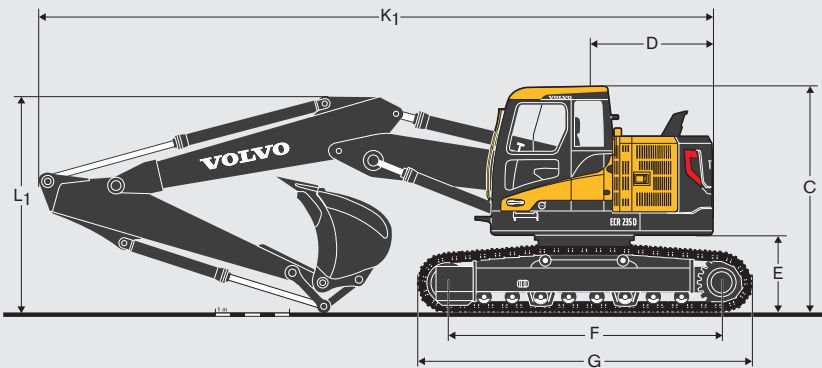
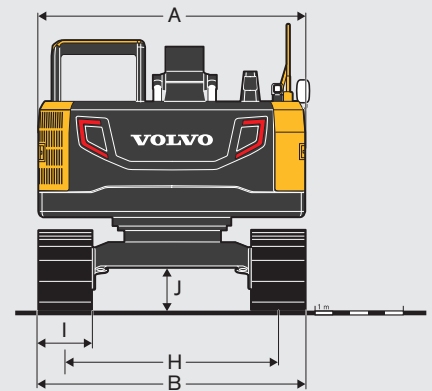
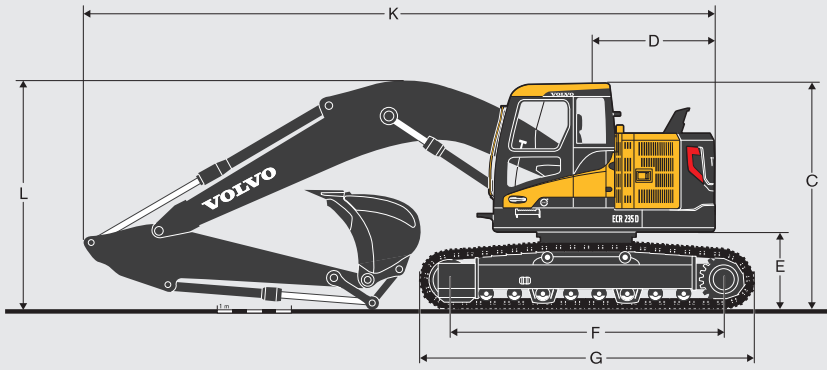
## DIMENSIONS ECR145DL



Description	Unit	ECR145DL					
		4.6, 15'1" mono or 4.72, 15'6" 2-piece					
Boom	m,ft-in	4.6, 15'1" mono or 4.72, 15'6" 2-piece					
Arm	m,ft-in	2,1	6'11"	2,5	8'2"	3	9'10"
A. Overall width of upper structure	mm,ft-in	2 490	8'2"	2 490	8'2"	2 490	8'2"
B. Overall width	mm,ft-in	2 690	8'10"	2 690	8'10"	2 690	8'10"
C. Overall height of cab	mm,ft-in	2 855	9'4"	2 855	9'4"	2 855	9'4"
D. Tail slew radius	mm,ft-in	1 494	4'11"	1 494	4'11"	1 494	4'11"
E. Counterweight clearance *	mm,ft-in	900	2'11"	900	2'11"	900	2'11"
F. Tumbler length	mm,ft-in	3 040	10'0"	3 040	10'0"	3 040	10'0"
G. Track length	mm,ft-in	3 750	12'4"	3 750	12'4"	3 750	12'4"
H. Track gauge	mm,ft-in	1 990	6'6"	1 990	6'6"	1 990	6'6"
I. Shoe width	mm,ft-in	700	2'4"	700	2'4"	700	2'4"
J. Min. ground clearance *	mm,ft-in	430	1'5"	430	1'5"	430	1'5"
K. Overall length	mm,ft-in	7 400	24'3"	7 405	24'4"	7 345	24'1"
K'. Overall length	mm,ft-in	7 505	24'7"	7 470	24'6"	7 370	24'2"
L. Overall height of boom	mm,ft-in	2 745	9'0"	2 865	9'5"	3 270	10'9"
L'. Overall height of boom	mm,ft-in	2 665	8'9"	2 860	9'5"	3 350	11'0"

\* Without shoe grouser

## DIMENSIONS ECR235DL

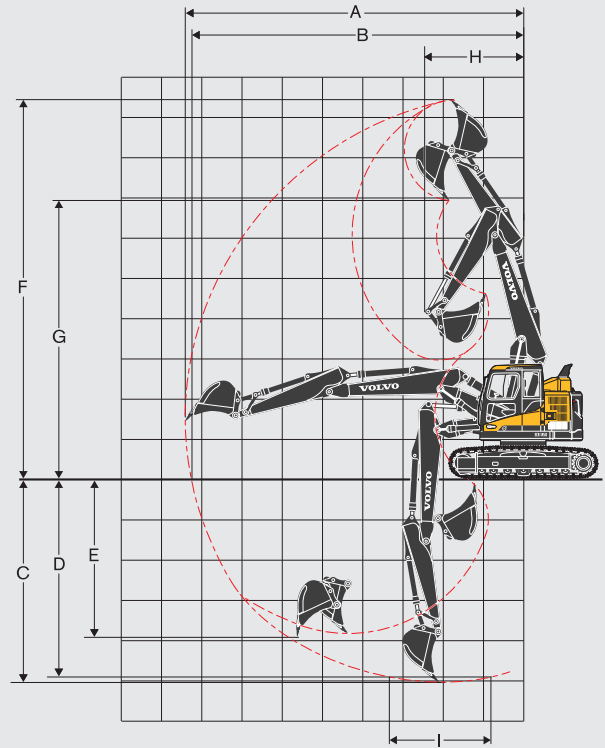
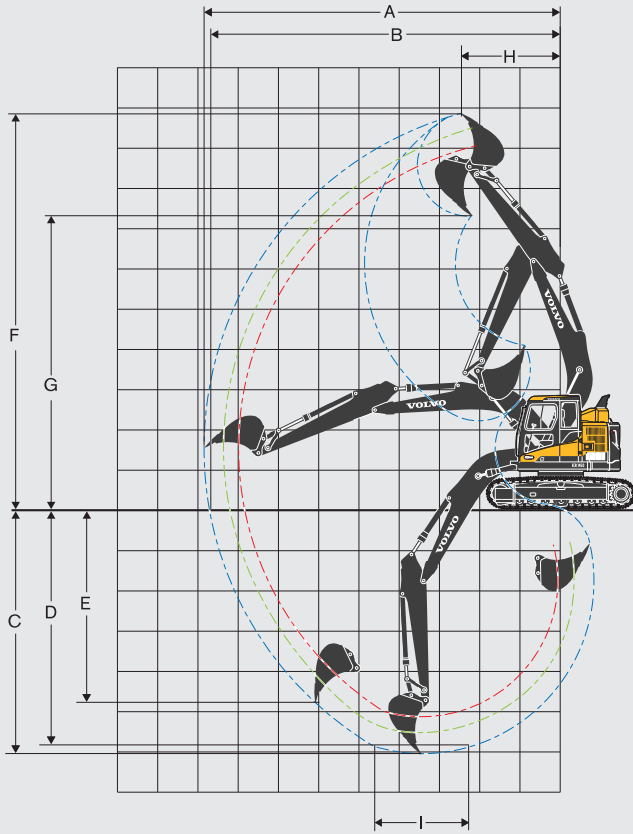


Description	Unit	ECR235DL			
		5.7, 18'8" mono or 5.76, 18'11" 2-piece			
Boom	m,ft-in	5.7, 18'8" mono or 5.76, 18'11" 2-piece			
Arm	m,ft-in	2.5	8'2"	2.9	9'6"
A. Overall width of upper structure	mm,ft-in	2 990	9'10"	2 990	9'10"
B. Overall width	mm,ft-in	3 090	10'2"	3 090	10'2"
C. Overall height of cab	mm,ft-in	3 040	10'0"	3 040	10'0"
D. Tail slew radius	mm,ft-in	1 720	5'8"	1 720	5'8"
E. Counterweight clearance *	mm,ft-in	1 025	3'4"	1 025	3'4"
F. Tumbler length	mm,ft-in	3 660	12'0"	3 660	12'0"
G. Track length	mm,ft-in	4 460	14'8"	4 460	14'8"
H. Track gauge	mm,ft-in	2 390	7'10"	2 390	7'10"
I. Shoe width	mm,ft-in	700	2'4"	700	2'4"
J. Min. ground clearance *	mm,ft-in	460	1'6"	460	1'6"
K. Overall length	mm,ft-in	9 080	29'9"	8 985	29'6"
K'. Overall length	mm,ft-in	9 120	29'11"	9 100	29'10"
L. Overall height of boom	mm,ft-in	3 235	10'7"	3 080	10'1"
L'. Overall height of boom	mm,ft-in	3 005	9'10"	2 905	9'6"

\* Without shoe grouser

# SPECIFICATIONS.

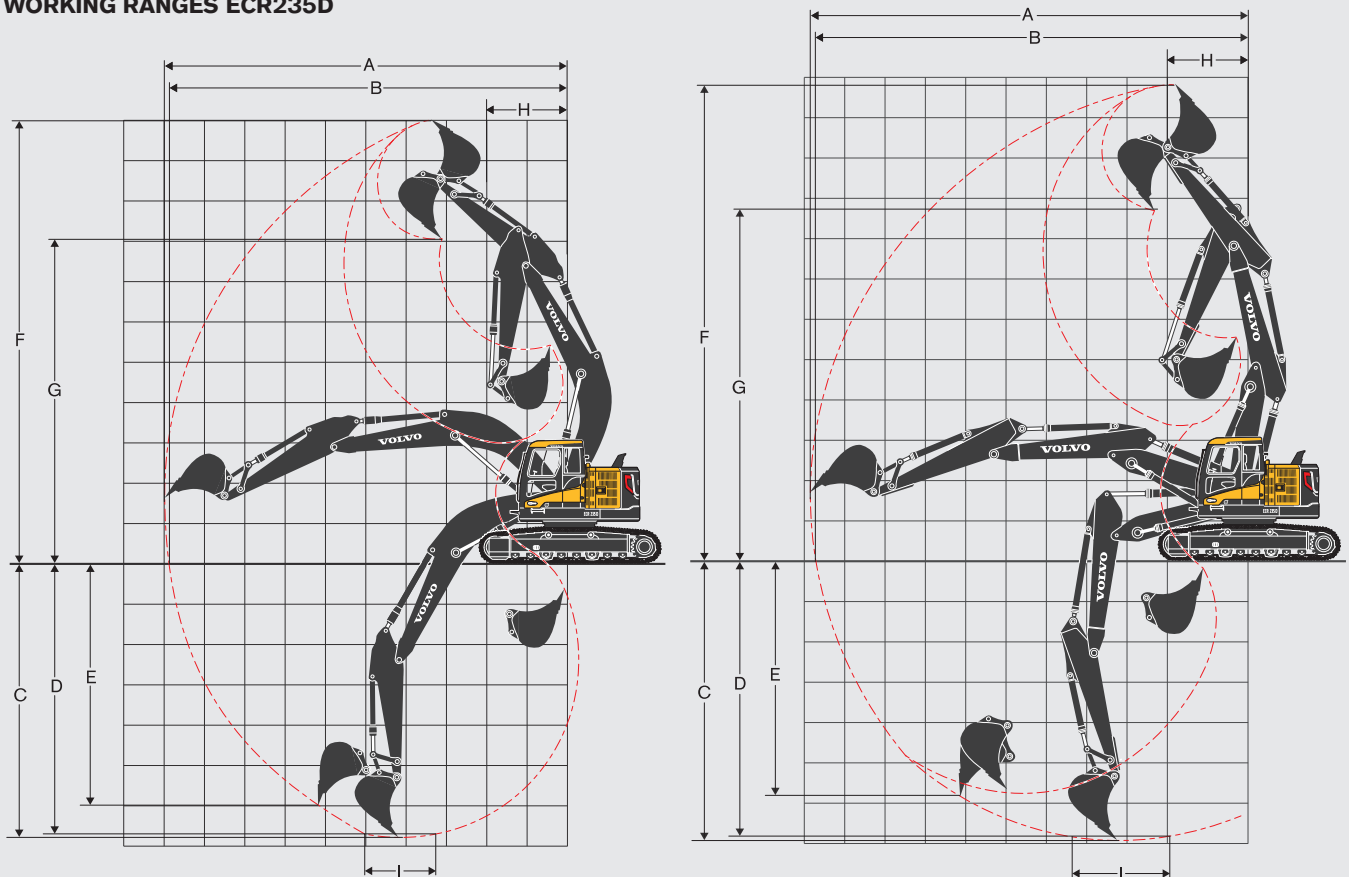
## WORKING RANGES ECR145D



Description		Unit	ECR145DL												
Boom		m, ft-in	4.6	15'1"	mono						4.72	15'6"	2-piece		
Arm		m, ft-in	2.1	6'11"	2.5	8'2"	3.0	9'10"	2.1	6'11"	2.5	8'2"	3.0	9'10"	
A. Max. digging reach		mm, ft-in	7 980	26'2"	8 350	27'5"	8 840	29'0"	8 210	26'11"	8 600	28'3"	9 090	29'10"	
B. Max. digging reach on ground		mm, ft-in	7 830	25'8"	8 210	26'11"	8 700	28'7"	8 060	26'5"	8 450	27'9"	8 960	29'5"	
C. Max. digging depth		mm, ft-in	5 110	16'9"	5 510	18'1"	6 010	19'9"	5 220	17'2"	5 620	18'5"	6 120	20'1"	
D. Max. digging depth (2.44m, 8' level)		mm, ft-in	4 860	15'11"	5 290	17'4"	5 830	19'2"	5 100	16'9"	5 510	18'1"	6 020	19'9"	
E. Max. vertical wall digging depth		mm, ft-in	3 920	12'10"	4 290	14'1"	4 810	15'9"	4 120	13'6"	4 480	14'8"	4 970	16'4"	
F. Max. cutting height		mm, ft-in	9 100	29'10"	9 420	30'11"	9 860	32'4"	9 390	30'10"	9 740	31'11"	10 210	33'6"	
G. Max. dumping height		mm, ft-in	6 570	21'7"	6 900	22'8"	7 330	24'1"	6 850	22'6"	7 210	23'8"	7 680	25'2"	
H. Min. front swing radius		mm, ft-in	1 800	5'11"	1 980	6'6"	2 340	7'8"	2 230	7'4"	2 470	8'1"	2 890	9'6"	
<b>Digging forces with direct fit bucket</b>															
Bucket radius		mm, ft-in	1 270	4'8"	1 270	4'8"	1 270	4'8"	1 270	4'8"	1 270	4'8"	1 270	4'8"	
Breakout force - bucket	Normal	SAE	kN, lb	80.8 18,150	80.8 18,150	80.8 18,150	80.8 18,150	80.8 18,150	80.8 18,150	80.8 18,150	80.8 18,150	80.8 18,150	80.8 18,150		
			Power boost	kN, lb	85.7 19,250	85.7 19,250	85.7 19,250	85.7 19,250	85.7 19,250	85.7 19,250	85.7 19,250	85.7 19,250			
	Normal	ISO	kN, lb	91.0 20,470	91.0 20,470	91.0 20,470	91.0 20,470	91.0 20,470	91.0 20,470	91.0 20,470	91.0 20,470	91.0 20,470			
			Power boost	kN, lb	96.6 21,720	96.6 21,720	96.6 21,720	96.6 21,720	96.6 21,720	96.6 21,720	96.6 21,720				
Tearout force - dipper arm	Normal	SAE	kN, lb	69.6 15,640	62.2 13,980	55.4 12,450	69.6 15,640	62.2 13,980	55.4 12,450						
			Power boost	kN, lb	73.8 16,590	66.1 14,860	55.8 12,540	73.8 16,590	66.1 14,860	55.8 12,540					
	Normal	ISO	kN, lb	71.3 16,040	63.6 14,300	56.4 12,680	71.3 16,040	63.6 14,300	56.4 12,680						
			Power boost	kN, lb	75.8 17,030	67.4 15,150	59.8 13,440	75.8 17,030	67.4 15,150	59.8 13,440					
Rotation angle, bucket			178												



## WORKING RANGES ECR235D



Description		Unit	ECR235DL								
Boom		m, ft-in	5.7	18'8"	mono	5.76	18'11"	2-piece			
Arm		m, ft-in	2.5	8'2"	2.9	9'6"	2.5	8'2"	2.9	9'6"	
A. Max. digging reach		mm, ft-in	9 500	31'2"	9 880	32'5"	9 680	31'9"	10 070	33'0"	
B. Max. digging reach on ground		mm, ft-in	9 330	30'7"	9 720	31'11"	9 510	31'2"	9 910	32'6"	
C. Max. digging depth		mm, ft-in	6 310	20'8"	6 710	22'0"	5 910	19'5"	6 310	20'8"	
D. Max. digging depth (2.44m, 8' level)		mm, ft-in	6 080	19'11"	6 510	21'4"	5 800	19'0"	6 210	20'4"	
E. Max. vertical wall digging depth		mm, ft-in	5 180	17'0"	5 650	18'6"	4 850	15'11"	5 270	17'3"	
F. Max. cutting height		mm, ft-in	10 620	34'10"	10 940	35'11"	11 170	36'8"	11 530	37'10"	
G. Max. dumping height		mm, ft-in	7 600	24'11"	7 910	25'11"	8 130	26'8"	8 510	27'11"	
H. Min. front swing radius		mm, ft-in	2 280	7'6"	2 000	6'7"	2 150	7'1"	2 010	6'7"	
<b>Digging forces with direct fit bucket</b>											
Bucket radius		mm, ft-in	1 525	5'3"	1 525	5'3"	1 525	5'3"	1 525	5'3"	
Breakout force - bucket	Normal	SAE	kN, lb	126.3	28,400	126.3	28,400	126.3	28,400	126.3	28,400
	Power boost	SAE	kN, lb	133.5	30,020	133.5	30,020	133.5	30,020	133.5	30,020
	Normal	ISO	kN, lb	142.1	31,930	142.1	31,930	142.1	31,930	142.1	31,930
	Power boost	ISO	kN, lb	150.2	33,760	150.2	33,760	150.2	33,760	150.2	33,760
Tearout force - dipper arm	Normal	SAE	kN, lb	117.1	26,330	101.2	22,760	117.1	26,330	101.2	22,760
	Power boost	SAE	kN, lb	123.8	27,830	107.0	24,060	123.8	27,830	107.0	24,060
	Normal	ISO	kN, lb	120.4	27,060	103.7	23,320	120.4	27,060	103.7	23,320
	Power boost	ISO	kN, lb	127.3	28,610	109.7	24,650	127.3	28,610	109.7	24,650
Rotation angle, bucket		°	175								

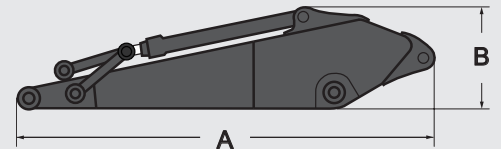
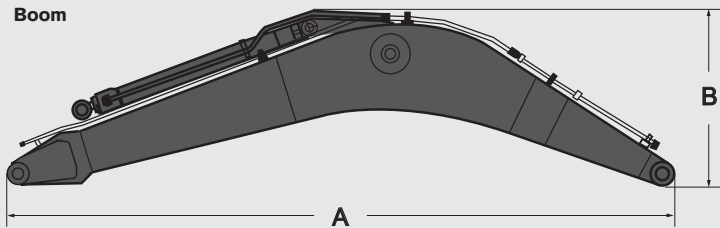
# SPECIFICATIONS.

## GROUND PRESSURE

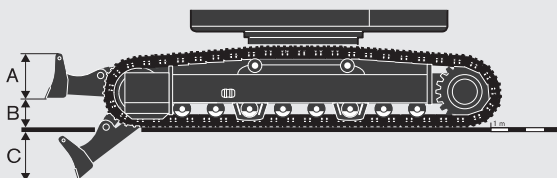
ECR145DL with 2.5m, 8'2" Arm, 419kg, 912 lb bucket, 3 200 kg, 7,060 lb counterweight														
	Shoe width		Operating weight		Ground pressure		Overall width		Operating weight		Ground pressure		Overall width	
	mm	in	kg	lb	kPa	psi	mm	in	kg	lb	kPa	psi	mm	in
<b>4.6m(15'1") boom</b>														
Triple grouser	500	20	14 960	32,990	44.5	6.5	2 490	8'2"	15 360	33,870	45.7	6.6	2 490	8'2"
	600	24	15 160	33,430	37.6	5.5	2 590	8'6"	15 560	34,310	38.6	5.6	2 590	8'6"
	750	30	15 540	34,270	30.8	4.5	2 740	9'0"	15 940	35,150	31.6	4.6	2 740	9'0"
Triple grouser (HD)	600	24	15 230	33,580	37.8	5.5	2 590	8'6"	15 630	34,460	38.8	5.6	2 590	8'6"
	700	28	15 430	34,020	32.8	4.8	2 690	8'10"	15 830	34,910	33.7	4.9	2 690	8'10"
Rubber shoe	500	20	15 000	33,080	44.7	6.5	2 490	8'2"	15 400	33,960	45.8	6.6	2 490	8'2"
<b>4.72m(15'6") 2-piece boom</b>														
Triple grouser	500	20	15 830	34,910	47.1	6.8	2 490	8'2"	16 230	35,790	48.3	7.0	2 490	8'2"
	600	24	16 040	35,370	39.8	5.8	2 590	8'6"	16 440	36,250	40.8	5.9	2 590	8'6"
	750	30	16 420	36,210	32.6	4.7	2 740	9'0"	16 820	37,090	33.4	4.8	2 740	9'0"
Triple grouser (HD)	600	24	16 110	35,520	40.0	5.8	2 590	8'6"	16 510	36,400	41.0	5.9	2 590	8'6"
	700	28	16 310	35,960	34.7	5.0	2 690	8'10"	16 710	36,850	35.5	5.2	2 690	8'10"
Rubber shoe	500	20	15 870	34,990	47.2	6.9	2 490	8'2"	16 270	35,880	48.4	7.0	2 490	8'2"
ECR235DL with 2.9m, 18'8" Arm, 693kg 1,530 lb bucket, 6 400 kg, 14 110 lb counterweight														
<b>5.7m(18'8") boom</b>														
Triple grouser	600	24	24 650	54,350	51.1	7.4	2 990	9'10"	25 230	55,630	52.3	7.6	2 990	9'10"
	700	28	25 100	55,350	44.6	6.5	3 090	10'2"	25 680	56,620	45.6	6.6	3 090	10'2"
	800	32	25 380	55,960	39.4	5.7	3 190	10'6"	25 960	57,240	40.4	5.9	3 190	10'6"
	900	36	25 670	56,600	35.5	5.1	3 290	10'10"	26 250	57,880	36.3	5.3	3 290	10'10"
Triple grouser (HD)	600	24	24 820	54,730	51.4	7.5	2 990	9'10"	25 400	56,010	52.6	7.6	2 990	9'10"
Double grouser	700	28	25 380	55,960	45.1	6.5	3 090	10'2"	25 960	57,240	46.1	6.7	3 090	10'2"
Rubber shoe	600	24	24 940	54,990	51.7	7.5	2 990	9'10"	25 520	56,270	52.9	7.7	2 990	9'10"
<b>5.76m(18'11") 2-piece boom</b>														
Triple grouser	600	24	26 030	57,400	53.9	7.8	2 990	9'10"	26 610	58,680	55.1	8.0	2 990	9'10"
	700	28	26 500	58,430	47.1	6.8	3 090	10'2"	27 080	59,710	48.1	7.0	3 090	10'2"
	800	32	26 790	59,070	41.6	6.0	3 190	10'6"	27 370	60,350	42.5	6.2	3 190	10'6"
	900	36	27 080	59,710	37.4	5.4	3 290	10'10"	27 660	60,990	38.2	5.5	3 290	10'10"
Triple grouser (HD)	600	24	26 200	57,770	54.3	7.9	2 990	9'10"	26 780	59,050	55.5	8.0	2 990	9'10"
Double grouser	700	28	26 780	59,050	47.6	6.9	3 090	10'2"	27 360	60,330	48.6	7.0	3 090	10'2"
Rubber shoe	600	24	26 320	58,040	54.5	7.9	2 990	9'10"	26 900	59,310	55.7	8.1	2 990	9'10"

## DIMENSIONS

Boom



Boom		ECR145D				ECR235D				Arm		ECR145D				ECR235D					
Description	Unit	mono	2-piece	mono	2-piece	Description	Unit	ECR145D			ECR235D			Description	Unit	ECR145D			ECR235D		
Boom	m	4.6	4.72	5.7	5.76	Arm	m	2.1	2.5	3.0	2.5	2.9	Arm	m	6'11"	8'2"	9'10"	8'2"	9'6"		
	in	15'1"	15'6"	18'8"	18'11"		in	6'11"	8'2"	9'10"	8'2"	9'6"		in	6'11"	8'2"	9'10"	8'2"	9'6"		
A. Length	mm	4 770	4 885	5 910	5 965	A. Length	mm	2 790	3 195	3 690	3 525	3 910	A. Length	mm	2 790	3 195	3 690	3 525	3 910		
	in	15'8"	16'0"	19'5"	19'7"		in	9'2"	10'6"	12'1"	11'7"	12'10"		in	9'2"	10'6"	12'1"	11'7"	12'10"		
B. Height	mm	1 370	1 135	1 770	1 300	B. Height	mm	680	675	750	860	860	B. Height	mm	680	675	750	860	860		
	in	4'6"	3'9"	5'10"	4'3"		in	2'3"	2'3"	2'6"	2'10"	2'10"		in	2'3"	2'3"	2'6"	2'10"	2'10"		
Width	mm	545	545	670	670	Width	mm	275	275	275	440	440	Width	mm	275	275	275	440	440		
	in	1'9"	1'9"	2'2"	2'2"		in	0'11"	0'11"	0'11"	1'5"	1'5"		in	0'11"	0'11"	0'11"	1'5"	1'5"		
Weight	kg	1 130	1 450	2 000	2 570	Weight	kg	560	624	684	975	1 000	Weight	kg	560	624	684	975	1 000		
	lb	2,490	3,200	4,410	5,670		lb	1,230	1,380	1,510	2,150	2,200		lb	1,230	1,380	1,510	2,150	2,200		



Front dozer blade		ECR145D				ECR235D					
A. Height	mm	580	1'11"	600	1'12"	A. Height	mm	580	1'11"	600	1'12"
Width	mm	2 690	8'10"	3 090	10'2"	Width	mm	2 690	8'10"	3 090	10'2"
Weight	mm	460	1'6"	790	2'7"	Weight	mm	460	1'6"	790	2'7"
B. Lift height	mm	590	1'11"	610	2'0"	B. Lift height	mm	590	1'11"	610	2'0"
C. Digging depth	mm	570	1'10"	480	1'7"	C. Digging depth	mm	570	1'10"	480	1'7"

### ECR145DL Lifting capacity 600mm, 24" track shoe, 3200kg, 7,060 lb counterweight

At the arm end without bucket. For Lifting capacity including bucket, simply subtract actual weight of the direct fit bucket or the bucket with hook fit from the following values

	Lifting Point	1.5m 5ft		3m 10ft		4.5m 15ft		6m 20ft		7.5m 25ft		Max. Reach		Max.			
		t	lb	t	lb	t	lb	t	lb	t	lb	t	lb	t	lb	m	ft
Boom: 4.6m 15'1"	7.5 25	-	-	-	-	-	-	-	-	-	-	-	-	-	-	-	
	4.5 15	-	-	4.36	9,600	4.36	9,600	4.19	9,300	3.85	8,270	-	-	-	-	-	
	3 10	-	-	5.22	11,270	5.22	11,270	4.36	9,500	3.80	8,180	3.81	8,080	2.35	5,070	-	-
	1.5 5	-	-	7.56	16,180	6.70	14,410	5.09	11,030	3.61	7,800	3.75	8,080	2.35	5,070	-	-
	0 0	-	-	-	-	-	-	-	-	-	-	-	-	-	-	-	
Arm: 2.1m 6'11"	7.5 25	-	-	-	-	-	-	-	-	-	-	-	-	-	-	-	
	4.5 15	-	-	5.52	12,930	5.52	12,930	5.52	12,200	3.41	7,350	3.66	7,900	2.27	4,910	-	-
	3 10	-	-	8.14	17,690	5.60	12,820	5.49	11,800	3.25	7,070	3.60	7,760	2.21	4,780	-	-
	1.5 5	5.52	11,730	5.20	11,730	6.04	12,980	6.04	12,980	4.14	8,710	3.32	7,180	-	-	-	-
	0 0	-	-	-	-	-	-	-	-	-	-	-	-	-	-	-	
Boom: 4.6m 15'1"	7.5 25	-	-	-	-	-	-	-	-	-	-	-	-	-	-	-	
	4.5 15	-	-	4.38	9,980	4.38	9,980	-	-	-	-	-	-	-	-	-	
	3 10	-	-	6.78	14,530	6.78	14,530	4.00	8,730	3.64	8,270	3.71	8,170	2.43	5,220	-	-
	1.5 5	-	-	6.31	13,980	6.31	13,980	4.77	10,340	3.84	8,600	3.76	8,100	2.36	5,090	-	-
	0 0	-	-	-	-	-	-	-	-	-	-	-	-	-	-	-	
Arm: 2.5m 8'2"	7.5 25	-	-	-	-	-	-	-	-	-	-	-	-	-	-	-	
	4.5 15	-	-	4.42	9,730	4.42	9,730	4.00	8,730	3.64	8,270	3.71	8,170	2.43	5,220	-	-
	3 10	-	-	6.78	14,530	6.78	14,530	4.77	10,340	3.84	8,600	3.76	8,100	2.36	5,090	-	-
	1.5 5	-	-	6.31	13,980	6.31	13,980	5.63	12,200	3.42	7,370	3.66	7,880	2.26	4,890	-	-
	0 0	-	-	-	-	-	-	-	-	-	-	-	-	-	-	-	
Boom: 4.6m 15'1"	7.5 25	-	-	-	-	-	-	-	-	-	-	-	-	-	-	-	
	4.5 15	-	-	4.42	9,730	4.42	9,730	4.00	8,730	3.64	8,270	3.71	8,170	2.43	5,220	-	-
	3 10	-	-	6.78	14,530	6.78	14,530	4.77	10,340	3.84	8,600	3.76	8,100	2.36	5,090	-	-
	1.5 5	-	-	6.31	13,980	6.31	13,980	5.63	12,200	3.42	7,370	3.66	7,880	2.26	4,890	-	-
	0 0	-	-	-	-	-	-	-	-	-	-	-	-	-	-	-	
Arm: 3m 9'10"	7.5 25	-	-	-	-	-	-	-	-	-	-	-	-	-	-	-	
	4.5 15	-	-	5.74	12,100	5.74	12,100	4.30	9,340	3.67	7,910	3.65	7,960	2.35	5,050	-	-
	3 10	-	-	8.33	17,940	6.24	13,450	5.26	11,400	3.41	7,350	3.63	7,820	2.23	4,810	2.58	1.58
	1.5 5	-	-	6.54	15,210	5.83	12,540	5.46	11,740	3.21	6,920	3.52	7,590	2.13	4,600	-	-
	0 0	-	-	-	-	-	-	-	-	-	-	-	-	-	-	-	
Boom: 4.6m 15'1"	7.5 25	-	-	-	-	-	-	-	-	-	-	-	-	-	-	-	
	4.5 15	-	-	4.42	9,730	4.42	9,730	4.00	8,730	3.64	8,270	3.71	8,170	2.43	5,220	-	-
	3 10	-	-	6.78	14,530	6.78	14,530	4.77	10,340	3.84	8,600	3.76	8,100	2.36	5,090	-	-
	1.5 5	-	-	6.31	13,980	6.31	13,980	5.63	12,200	3.42	7,370	3.66	7,880	2.26	4,890	-	-
	0 0	-	-	-	-	-	-	-	-	-	-	-	-	-	-	-	
Arm: 2.5m 8'2"	7.5 25	-	-	-	-	-	-	-	-	-	-	-	-	-	-	-	
	4.5 15	-	-	4.42	9,730	4.42	9,730	4.00	8,730	3.64	8,270	3.71	8,170	2.43	5,220	-	-
	3 10	-	-	6.78	14,530	6.78	14,530	4.77	10,340	3.84	8,600	3.76	8,100	2.36	5,090	-	-
	1.5 5	-	-	6.31	13,980	6.31	13,980	5.63	12,200	3.42	7,370	3.66	7,880	2.26	4,890	-	-
	0 0	-	-	-	-	-	-	-	-	-	-	-	-	-	-	-	
+ Dozer blade down	7.5 25	-	-	-	-	-	-	-	-	-	-	-	-	-	-	-	
	4.5 15	-	-	4.42	9,730	4.42	9,730	4.00	8,730	3.64	8,270	3.71	8,170	2.43	5,220	-	-
	3 10	-	-	6.78	14,530	6.78	14,530	4.77	10,340	3.84	8,600	3.76	8,100	2.36	5,090	-	-
	1.5 5	-	-	6.31	13,980	6.31	13,980	5.63	12,200	3.42	7,370	3.66	7,880	2.26	4,890	-	-
	0 0	-	-	-	-	-	-	-	-	-	-	-	-	-	-	-	
2PCS Boom: 4.72m 15'6"	7.5 25	-	-	-	-	-	-	-	-	-	-	-	-	-	-	-	
	4.5 15	-	-	5.48	11,850	5.48	11,850	5.48	11,850	3.88	8,340	3.84	8,250	2.41	5,170	-	-
	3 10	-	-	6.99	15,260	5.94	12,770	5.41	11,710	3.22	6,960	3.60	7,490	2.19	4,750	-	-
	1.5 5	-	-	-	-	-	-	-	-	-	-	-	-	-	-	-	
	0 0	-	-	-	-	-	-	-	-	-	-	-	-	-	-	-	
Arm: 2.1m 6'11"	7.5 25	-	-	-	-	-	-	-	-	-	-	-	-	-	-	-	
	4.5 15	-	-	5.31	11,820	5.31	11,820	-	-	-	-	-	-	-	-	-	
	3 10	-	-	6.99	15,260	5.94	12,770	5.41	11,710	3.22	6,960	3.60	7,490	2.19	4,750	-	-
	1.5 5	-	-	-	-	-	-	-	-	-	-	-	-	-	-	-	
	0 0	-	-	-	-	-	-	-	-	-	-	-	-	-	-	-	
2PCS Boom: 4.72m 15'6"	7.5 25	-	-	-	-	-	-	-	-	-	-	-	-	-	-	-	
	4.5 15	-	-	4.10	9,040	4.10	9,040	4.69	10,350	3.94	8,470	3.87	8,320	2.43	5,230	-	-
	3 10	-	-	5.98	12,880	3.63	7,850	3.78	8,150	3.35	7,370	3.77	8,130	2.35	5,060	-	-
	1.5 5	-	-	5.70	12,270	3.39	7,320	3.67	7,910	3.25	6,850	3.70	7,910	2.25	4,850	-	-
	0 0	-	-	-	-	-	-	-	-	-	-	-	-	-	-	-	
Arm: 2.5m 8'2"	7.5 25	-	-	-	-	-	-	-	-	-	-	-	-	-	-	-	
	4.5 15	-	-	7.87	17,120	5.85	12,580	5.52	11,870	3.23	6,970	3.58	7,730	2.17	4,690	-	-
	3 10	-	-	6.99	15,260	5.94	12,770	5.41	11,710	3.22	6,960	3.60	7,490	2.19	4,750	-	-
	1.5 5	-	-	-	-	-	-	-	-	-	-	-	-	-	-	-	
	0 0	-	-	-	-	-	-	-	-	-	-	-	-	-	-	-	
2PCS Boom: 4.72m 15'6"	7.5 25	-	-	-	-	-	-	-	-	-	-	-	-	-	-	-	
	4.5 15	-	-	4.10	9,040	4.10	9,040	4.69	10,350	3.94	8,470	3.87	8,320	2.43	5,230	-	-
	3 10	-	-	5.98	12,880	3.63	7,850	3.78	8,150	3.35	7,370	3.77	8,130	2.35	5,060	-	-
	1.5 5	-	-	5.70	12,270	3.39	7,320	3.67	7,910	3.25	6,850	3.70	7,910	2.25	4,850	-	-
	0 0	-	-	-	-	-	-	-	-	-	-	-	-	-	-	-	
Arm: 3m 9'10"	7.5 25	-	-	-	-	-	-	-	-	-	-	-	-	-	-	-	
	4.5 15	-	-	4.10	9,040	4.10	9,040	4.69	10,350	3.94	8,470	3.87	8,320	2.43	5,230	-	-
	3 10	-	-	5.98	12,880	3.63	7,850	3.78	8,150	3.35	7,370	3.77	8,130	2.35	5,060	-	-
	1.5 5	-	-	5.70	12,270	3.39	7,320	3.67	7,910	3.25	6,850	3.70	7,910	2.25	4,850	-	-
	0 0	-	-	-	-	-	-	-	-	-	-	-	-	-	-	-	
+ Dozer blade down	7.5 25	-	-	-	-	-	-	-	-	-	-	-	-	-	-	-	
	4.5 15	-	-	4.10	9,040	4.10	9,040	4.69	10,350	3.94	8,470	3.87	8,320	2.43	5,230	-	-
	3 10	-	-	5.98	12,880	3.63	7,850	3.78	8,150	3.35	7,370	3.77	8,130	2.35	5,060	-	-
	1.5 5	-	-	5.70	12,270	3.39	7,320	3.67	7,910	3.25	6,850	3.70	7,910	2.25	4,850	-	-
	0 0	-	-	-	-	-	-	-	-	-	-	-	-	-	-	-	
2PCS Boom: 4.72m 15'6"	7.5 25	-	-	-	-	-	-	-	-	-	-	-	-	-	-	-	
	4.5 15	-	-	5.48	11,850	5.48	11,850	5.48	11,850	3.88	8,340	3.84	8,250	2.41	5,170	-	-
	3 10	-	-	6.99	15,260	5.94	12,770	5.41	11,710	3.22	6,960	3.60	7,490	2.19	4,750	-	-
	1.5 5	-	-	-	-	-	-	-	-	-	-	-	-	-	-	-	
	0 0	-	-	-	-	-	-	-	-	-	-	-	-	-	-	-	
Arm: 2.1m 6'11"	7.5 25	-	-	-	-	-	-	-	-	-	-	-	-	-	-	-	
	4.5 15	-	-	5.31	11,820	5.31	11,820	4.69	10,350	3.94	8,470	3.87	8,320	2.43	5,230	-	-
	3 10	-	-	6.99	15,260	5.94	12,770	5.41	11,710	3.22	6,960	3.60	7,490	2.19	4,750	-	-
	1.5 5	-	-	-	-	-	-	-	-	-	-	-	-	-	-	-	
	0 0	-	-	-	-	-	-	-	-	-	-	-	-	-	-	-	
+ Dozer blade down	7.5 25	-	-	-	-	-	-	-	-	-	-	-	-	-	-	-	
	4.5 15	-	-	4.10	9,040	4.10	9,040	4.69	10,350	3.94	8,470	3.87	8,320	2.43	5,230		

# SPECIFICATIONS.

## ECR145DL Lifting capacity 700mm, 28" track shoe, 3200kg, 7,060 lb counterweight

At the arm end without bucket. For Lifting capacity including bucket, simply subtract actual weight of the direct fit bucket or the bucket with quick fit from the following values

	Lifting Point	1.5m 5ft		3m 10ft		4.5m 15ft		6m 20ft		7.5m 25ft		Max. Reach		Max.		
		t	lb	t	lb	t	lb	t	lb	t	lb	t	lb	m	ft	
Boom: 4.6m 15'1"	7.5	25	-	-	-	-	-	-	-	-	-	-	-	-	-	-
	6	20	-	-	-	-	-	-	-	-	-	-	-	-	-	-
	4.5	15	-	-	-	-	-	-	-	-	-	-	-	-	-	-
	3	10	-	-	-	-	-	-	-	-	-	-	-	-	-	-
	1.5	5	-	-	-	-	-	-	-	-	-	-	-	-	-	-
	0	0	-	-	-	-	-	-	-	-	-	-	-	-	-	-
Arm: 2.1m 6'11"	7.5	25	-	-	-	-	-	-	-	-	-	-	-	-	-	-
	6	20	-	-	-	-	-	-	-	-	-	-	-	-	-	-
	4.5	15	-	-	-	-	-	-	-	-	-	-	-	-	-	-
	3	10	-	-	-	-	-	-	-	-	-	-	-	-	-	-
	1.5	5	-	-	-	-	-	-	-	-	-	-	-	-	-	-
	0	0	-	-	-	-	-	-	-	-	-	-	-	-	-	-
+ Dozer blade down	7.5	25	-	-	-	-	-	-	-	-	-	-	-	-	-	-
	6	20	-	-	-	-	-	-	-	-	-	-	-	-	-	-
	4.5	15	-	-	-	-	-	-	-	-	-	-	-	-	-	-
	3	10	-	-	-	-	-	-	-	-	-	-	-	-	-	-
	1.5	5	-	-	-	-	-	-	-	-	-	-	-	-	-	-
	0	0	-	-	-	-	-	-	-	-	-	-	-	-	-	-

Notes: 1. Machine in "Fine Mode-F" (Power boost) for lifting capacities. | 2. The above loads are in compliance with SAE J1,097 and ISO 10,567 Hydraulic Excavator Lifting Capacity Standards. | 3. Rated loads do not exceed 87% of hydraulic lifting capacity or 75% tipping load. | 4. Rated loads marked with an asterisk (\*) are limited by hydraulic capacity rather than tipping load.

**ECR145DL Lifting capacity 750mm, 30" track shoe, 3200kg, 7,060 lb counterweight**

At the arm end without bucket. For Lifting capacity including bucket, simply subtract actual weight of the direct fit bucket or the bucket with quick fit from the following values

	Lifting Point	1.5m 5ft		3m 10ft		4.5m 15ft		6m 20ft		7.5m 25ft		Max. Reach		Max.			
														m	ft		
		t	lb	t	lb	t	lb	t	lb	t	lb	t	lb				
Boom: 4.6m 15'1"	7.5 25	-	-	-	-	-	-	-	-	-	-	-	-	536	12520	285	84
	6 20	-	-	-	-	-	-	-	-	-	-	-	-	422	9380	335	7600
	4.5 15	-	-	436	960	436	960	419	9600	394	8640	390	8640	388	8630	245	5460
	3 10	-	-	522	11700	522	11700	509	116180	369	8170	369	8170	364	8100	241	5300
	1.5 5	-	-	580	12930	580	12930	562	12690	336	7530	336	7530	327	7220	203	4470
	0 0	-	-	756	16800	756	16800	739	16470	369	8170	369	8170	364	8100	241	5300
Arm: 2.1m 6'11"	7.5 25	-	-	582	12930	582	12930	562	12690	336	7530	336	7530	327	7220	203	4470
	6 20	-	-	604	13380	604	13380	588	13020	363	8070	363	8070	354	7860	229	5080
	4.5 15	520	520	814	11730	814	11730	797	11370	562	12690	562	12690	545	12130	318	7010
	3 10	-	-	860	19020	860	19020	843	18760	603	13380	603	13380	586	13020	427	9450
	1.5 5	-	-	922	20870	922	20870	905	20410	639	14370	639	14370	622	13910	460	10100
	0 0	-	-	980	21780	980	21780	962	21320	675	15000	675	15000	658	14640	493	10730
Boom: 4.6m 15'1"	7.5 25	-	-	438	9980	438	9980	421	9620	375	8310	375	8310	368	8120	285	6250
	6 20	-	-	442	9730	442	9730	425	9370	379	8450	379	8450	371	8170	248	5340
	4.5 15	-	-	477	10730	477	10730	460	10370	400	9000	400	9000	393	8750	285	6250
	3 10	-	-	522	11700	522	11700	505	11340	379	8450	379	8450	371	8170	248	5340
	1.5 5	-	-	580	12930	580	12930	562	12690	336	7530	336	7530	327	7220	203	4470
	0 0	-	-	604	13380	604	13380	588	13020	363	8070	363	8070	354	7860	229	5080
Arm: 2.5m 8'2"	7.5 25	-	-	438	9980	438	9980	421	9620	375	8310	375	8310	368	8120	285	6250
	6 20	-	-	442	9730	442	9730	425	9370	379	8450	379	8450	371	8170	248	5340
	4.5 15	-	-	477	10730	477	10730	460	10370	400	9000	400	9000	393	8750	285	6250
	3 10	-	-	522	11700	522	11700	505	11340	379	8450	379	8450	371	8170	248	5340
	1.5 5	-	-	580	12930	580	12930	562	12690	336	7530	336	7530	327	7220	203	4470
	0 0	-	-	604	13380	604	13380	588	13020	363	8070	363	8070	354	7860	229	5080
Boom: 4.6m 15'1"	7.5 25	-	-	438	9980	438	9980	421	9620	375	8310	375	8310	368	8120	285	6250
	6 20	-	-	442	9730	442	9730	425	9370	379	8450	379	8450	371	8170	248	5340
	4.5 15	-	-	477	10730	477	10730	460	10370	400	9000	400	9000	393	8750	285	6250
	3 10	-	-	522	11700	522	11700	505	11340	379	8450	379	8450	371	8170	248	5340
	1.5 5	-	-	580	12930	580	12930	562	12690	336	7530	336	7530	327	7220	203	4470
	0 0	-	-	604	13380	604	13380	588	13020	363	8070	363	8070	354	7860	229	5080
Arm: 3m 9'10"	7.5 25	-	-	438	9980	438	9980	421	9620	375	8310	375	8310	368	8120	285	6250
	6 20	-	-	442	9730	442	9730	425	9370	379	8450	379	8450	371	8170	248	5340
	4.5 15	-	-	477	10730	477	10730	460	10370	400	9000	400	9000	393	8750	285	6250
	3 10	-	-	522	11700	522	11700	505	11340	379	8450	379	8450	371	8170	248	5340
	1.5 5	-	-	580	12930	580	12930	562	12690	336	7530	336	7530	327	7220	203	4470
	0 0	-	-	604	13380	604	13380	588	13020	363	8070	363	8070	354	7860	229	5080
Boom: 4.6m 15'1"	7.5 25	-	-	438	9980	438	9980	421	9620	375	8310	375	8310	368	8120	285	6250
	6 20	-	-	442	9730	442	9730	425	9370	379	8450	379	8450	371	8170	248	5340
	4.5 15	-	-	477	10730	477	10730	460	10370	400	9000	400	9000	393	8750	285	6250
	3 10	-	-	522	11700	522	11700	505	11340	379	8450	379	8450	371	8170	248	5340
	1.5 5	-	-	580	12930	580	12930	562	12690	336	7530	336	7530	327	7220	203	4470
	0 0	-	-	604	13380	604	13380	588	13020	363	8070	363	8070	354	7860	229	5080
Arm: 2.5m 8'2"	7.5 25	-	-	438	9980	438	9980	421	9620	375	8310	375	8310	368	8120	285	6250
	6 20	-	-	442	9730	442	9730	425	9370	379	8450	379	8450	371	8170	248	5340
	4.5 15	-	-	477	10730	477	10730	460	10370	400	9000	400	9000	393	8750	285	6250
	3 10	-	-	522	11700	522	11700	505	11340	379	8450	379	8450	371	8170	248	5340
	1.5 5	-	-	580	12930	580	12930	562	12690	336	7530	336	7530	327	7220	203	4470
	0 0	-	-	604	13380	604	13380	588	13020	363	8070	363	8070	354	7860	229	5080
+ Dozer blade down	7.5 25	-	-	438	9980	438	9980	421	9620	375	8310	375	8310	368	8120	285	6250
	6 20	-	-	442	9730	442	9730	425	9370	379	8450	379	8450	371	8170	248	5340
	4.5 15	-	-	477	10730	477	10730	460	10370	400	9000	400	9000	393	8750	285	6250
	3 10	-	-	522	11700	522	11700	505	11340	379	8450	379	8450	371	8170	248	5340
	1.5 5	-	-	580	12930	580	12930	562	12690	336	7530	336	7530	327	7220	203	4470
	0 0	-	-	604	13380	604	13380	588	13020	363	8070	363	8070	354	7860	229	5080
Boom: 4.6m 15'1"	7.5 25	-	-	438	9980	438	9980	421	9620	375	8310	375	8310	368	8120	285	6250
	6 20	-	-	442	9730	442	9730	425	9370	379	8450	379	8450	371	8170	248	5340
	4.5 15	-	-	477	10730	477	10730	460	10370	400	9000	400	9000	393	8750	285	6250
	3 10	-	-	522	11700	522	11700	505	11340	379	8450	379	8450	371	8170	248	5340
	1.5 5	-	-	580	12930	580	12930	562	12690	336	7530	336	7530	327	7220	203	4470
	0 0	-	-	604	13380	604	13380	588	13020	363	8070	363	8070	354	7860	229	5080
Arm: 2.5m 8'2"	7.5 25	-	-	438	9980	438	9980	421	9620	375	8310	375	8310	368	8120	285	6250
	6 20	-	-	442	9730	442	9730	425	9370	379	8450	379	8450	371	8170	248	5340
	4.5 15	-	-	477	10730	477	10730	460	10370	400	9000	400	9000	393	8750	285	6250
	3 10	-	-	522	11700	522	11700	505	11340	379	8450	379	8450	371	8170	248	5340
	1.5 5	-	-	580	12930	580	12930	562	12690	336	7530	336	7530	327	7220	203	4470
	0 0	-	-	604	13380	604	13380	588	13020	363	8070	363	8070	354	7860	229	5080
+ Dozer blade down	7.5 25	-	-	438	9980	438	9980	421	9620	375	8310	375	8310	368	8120	285	6250
	6 20	-	-	442	9730	442	9730	425	9370	379	8450	379	8450	371	8170	248	5340
	4.5 15	-	-	477	10730	477	10730	460	10370	400	9000	400	9000	393	8750	285	6250
	3 10	-	-	522	11700	522	11700	505	11340	379	8450	379	8450	371	8170	248	5340
	1.5 5	-	-	580	12930	580	12930	562	12690	336							

# SPECIFICATIONS.

## ECR235DL Lifting capacity 600mm, 24" track shoe, 6400kg, 14,110 lb counterweight

At the arm end without bucket. For Lifting capacity including bucket, simply subtract actual weight of the direct fit bucket or the bucket with quick fit from the following values

	Lifting Point		1.5m 5ft		3m 10ft		4.5m 15ft		6m 20ft		7.5m 25ft		Max. Reach		Max.		
	m	ft	t	lb	t	lb	t	lb	t	lb	t	lb	t	lb	m	ft	
																	t
Boom: 5.7m 18'8" Arm: 2.5m 8'2"	9	30	-	-	-	-	-	-	-	-	-	-	-	-	-	-	-
	7.5	25	-	-	-	-	-	-	-	-	-	-	-	-	-	-	-
	6	20	-	-	-	-	-	-	-	-	-	-	-	-	-	-	-
	4.5	15	-	-	-	-	-	-	-	-	-	-	-	-	-	-	-
	3	10	-	-	-	-	-	-	-	-	-	-	-	-	-	-	-
	1.5	5	-	-	-	-	-	-	-	-	-	-	-	-	-	-	-
	0	0	-	-	-	-	-	-	-	-	-	-	-	-	-	-	-
	-1.5	-5	-	-	-	-	-	-	-	-	-	-	-	-	-	-	-
	-3	-10	-	-	-	-	-	-	-	-	-	-	-	-	-	-	-
	-4.5	-15	-	-	-	-	-	-	-	-	-	-	-	-	-	-	-
Boom: 5.7m 18'8" Arm: 2.9m 9'6"	9	30	-	-	-	-	-	-	-	-	-	-	-	-	-	-	-
	7.5	25	-	-	-	-	-	-	-	-	-	-	-	-	-	-	-
	6	20	-	-	-	-	-	-	-	-	-	-	-	-	-	-	-
	4.5	15	-	-	-	-	-	-	-	-	-	-	-	-	-	-	-
	3	10	-	-	-	-	-	-	-	-	-	-	-	-	-	-	-
	1.5	5	-	-	-	-	-	-	-	-	-	-	-	-	-	-	-
	0	0	-	-	-	-	-	-	-	-	-	-	-	-	-	-	-
	-1.5	-5	-	-	-	-	-	-	-	-	-	-	-	-	-	-	-
	-3	-10	-	-	-	-	-	-	-	-	-	-	-	-	-	-	-
	-4.5	-15	-	-	-	-	-	-	-	-	-	-	-	-	-	-	-
Boom: 5.7m 18'8" Arm: 2.5m 8'2" + Dozer blade down	9	30	-	-	-	-	-	-	-	-	-	-	-	-	-	-	-
	7.5	25	-	-	-	-	-	-	-	-	-	-	-	-	-	-	-
	6	20	-	-	-	-	-	-	-	-	-	-	-	-	-	-	-
	4.5	15	-	-	-	-	-	-	-	-	-	-	-	-	-	-	-
	3	10	-	-	-	-	-	-	-	-	-	-	-	-	-	-	-
	1.5	5	-	-	-	-	-	-	-	-	-	-	-	-	-	-	-
	0	0	-	-	-	-	-	-	-	-	-	-	-	-	-	-	-
	-1.5	-5	-	-	-	-	-	-	-	-	-	-	-	-	-	-	-
	-3	-10	-	-	-	-	-	-	-	-	-	-	-	-	-	-	-
	-4.5	-15	-	-	-	-	-	-	-	-	-	-	-	-	-	-	-
Boom: 5.7m 18'8" Arm: 2.9m 9'6" + Dozer blade down	9	30	-	-	-	-	-	-	-	-	-	-	-	-	-	-	-
	7.5	25	-	-	-	-	-	-	-	-	-	-	-	-	-	-	-
	6	20	-	-	-	-	-	-	-	-	-	-	-	-	-	-	-
	4.5	15	-	-	-	-	-	-	-	-	-	-	-	-	-	-	-
	3	10	-	-	-	-	-	-	-	-	-	-	-	-	-	-	-
	1.5	5	-	-	-	-	-	-	-	-	-	-	-	-	-	-	-
	0	0	-	-	-	-	-	-	-	-	-	-	-	-	-	-	-
	-1.5	-5	-	-	-	-	-	-	-	-	-	-	-	-	-	-	-
	-3	-10	-	-	-	-	-	-	-	-	-	-	-	-	-	-	-
	-4.5	-15	-	-	-	-	-	-	-	-	-	-	-	-	-	-	-
2PCS Boom: 5.75m 18'10" Arm: 2.5m 8'2"	9	30	-	-	-	-	-	-	-	-	-	-	-	-	-	-	-
	7.5	25	-	-	-	-	-	-	-	-	-	-	-	-	-	-	-
	6	20	-	-	-	-	-	-	-	-	-	-	-	-	-	-	-
	4.5	15	-	-	-	-	-	-	-	-	-	-	-	-	-	-	-
	3	10	-	-	-	-	-	-	-	-	-	-	-	-	-	-	-
	1.5	5	-	-	-	-	-	-	-	-	-	-	-	-	-	-	-
	0	0	-	-	-	-	-	-	-	-	-	-	-	-	-	-	-
	-1.5	-5	-	-	-	-	-	-	-	-	-	-	-	-	-	-	-
	-3	-10	-	-	-	-	-	-	-	-	-	-	-	-	-	-	-
	-4.5	-15	-	-	-	-	-	-	-	-	-	-	-	-	-	-	-
2PCS Boom: 5.75m 18'10" Arm: 2.9m 9'6"	9	30	-	-	-	-	-	-	-	-	-	-	-	-	-	-	-
	7.5	25	-	-	-	-	-	-	-	-	-	-	-	-	-	-	-
	6	20	-	-	-	-	-	-	-	-	-	-	-	-	-	-	-
	4.5	15	-	-	-	-	-	-	-	-	-	-	-	-	-	-	-
	3	10	-	-	-	-	-	-	-	-	-	-	-	-	-	-	-
	1.5	5	-	-	-	-	-	-	-	-	-	-	-	-	-	-	-
	0	0	-	-	-	-	-	-	-	-	-	-	-	-	-	-	-
	-1.5	-5	-	-	-	-	-	-	-	-	-	-	-	-	-	-	-
	-3	-10	-	-	-	-	-	-	-	-	-	-	-	-	-	-	-
	-4.5	-15	-	-	-	-	-	-	-	-	-	-	-	-	-	-	-
2PCS Boom: 5.75m 18'10" Arm: 2.5m 8'2" + Dozer blade down	9	30	-	-	-	-	-	-	-	-	-	-	-	-	-	-	-
	7.5	25	-	-	-	-	-	-	-	-	-	-	-	-	-	-	-
	6	20	-	-	-	-	-	-	-	-	-	-	-	-	-	-	-
	4.5	15	-	-	-	-	-	-	-	-	-	-	-	-	-	-	-
	3	10	-	-	-	-	-	-	-	-	-	-	-	-	-	-	-
	1.5	5	-	-	-	-	-	-	-	-	-	-	-	-	-	-	-
	0	0	-	-	-	-	-	-	-	-	-	-	-	-	-	-	-
	-1.5	-5	-	-	-	-	-	-	-	-	-	-	-	-	-	-	-
	-3	-10	-	-	-	-	-	-	-	-	-	-	-	-	-	-	-
	-4.5	-15	-	-	-	-	-	-	-	-	-	-	-	-	-	-	-
2PCS Boom: 5.75m 18'10" Arm: 2.9m 9'6" + Dozer blade down	9	30	-	-	-	-	-	-	-	-	-	-	-	-	-	-	-
	7.5	25	-	-	-	-	-	-	-	-	-	-	-	-	-	-	-
	6	20	-	-	-	-	-	-	-	-	-	-	-	-	-	-	-
	4.5	15	-	-	-	-	-	-	-	-	-	-	-	-	-	-	-
	3	10	-	-	-	-	-	-	-	-	-	-	-	-	-	-	-
	1.5	5	-	-	-	-	-	-	-	-	-	-	-	-	-	-	-
	0	0	-	-	-	-	-	-	-	-	-	-	-	-	-	-	-
	-1.5	-5	-	-	-	-	-	-	-	-	-	-	-	-	-	-	-
	-3	-10	-	-	-	-	-	-	-	-	-	-	-	-	-	-	-
	-4.5	-15	-	-	-	-	-	-	-	-	-	-	-	-	-	-	-

Notes: 1. Machine in "Fine Mode-F" (Power boost) for lifting capacities. | 2. The above loads are in compliance with SAE J1097 and ISO 10567 Hydraulic Excavator Lifting Capacity Standards. | 3. Rated loads do not exceed 87% of hydraulic lifting capacity or 75% tipping load. | 4. Rated loads marked with an asterisk (\*) are limited by hydraulic capacity rather than tipping load.

**ECR235DL Lifting capacity 700mm, 28" track shoe, 6400kg, 14,110 lb counterweight**

At the arm end without bucket. For Lifting capacity including bucket, simply subtract actual weight of the direct fit bucket or the bucket with quick fit from the following values

	Lifting Point		1.5m 5ft		3m 10ft		4.5m 15ft		6m 20ft		7.5m 25ft		Max. Reach		Max.	
	m	ft	t	lb	t	lb	t	lb	t	lb	t	lb	t	lb	m	ft
	9	30	-	-	-	-	-	-	-	-	-	-	-	-	-	-
	7.5	25	-	-	-	-	-	-	-	-	-	-	-	-	-	-
	6	20	-	-	-	-	-	-	-	-	-	-	-	-	-	-
Boom: 5.7m	4.5	15	-	-	-	-	-	-	-	-	-	-	-	-	-	-
18'8"	3	10	-	-	-	-	-	-	-	-	-	-	-	-	-	-
Arm: 2.5m	1.5	5	-	-	-	-	-	-	-	-	-	-	-	-	-	-
8'2"	0	0	-	-	-	-	-	-	-	-	-	-	-	-	-	-
	-1.5	-5	-	-	-	-	-	-	-	-	-	-	-	-	-	-
	-3	-10	-	-	-	-	-	-	-	-	-	-	-	-	-	-
	-4.5	-15	-	-	-	-	-	-	-	-	-	-	-	-	-	-
	9	30	-	-	-	-	-	-	-	-	-	-	-	-	-	-
	7.5	25	-	-	-	-	-	-	-	-	-	-	-	-	-	-
	6	20	-	-	-	-	-	-	-	-	-	-	-	-	-	-
Boom: 5.7m	4.5	15	-	-	-	-	-	-	-	-	-	-	-	-	-	-
18'8"	3	10	-	-	-	-	-	-	-	-	-	-	-	-	-	-
Arm: 2.9m	1.5	5	-	-	-	-	-	-	-	-	-	-	-	-	-	-
9'6"	0	0	-	-	-	-	-	-	-	-	-	-	-	-	-	-
	-1.5	-5	-	-	-	-	-	-	-	-	-	-	-	-	-	-
	-3	-10	-	-	-	-	-	-	-	-	-	-	-	-	-	-
	-4.5	-15	-	-	-	-	-	-	-	-	-	-	-	-	-	-
	9	30	-	-	-	-	-	-	-	-	-	-	-	-	-	-
	7.5	25	-	-	-	-	-	-	-	-	-	-	-	-	-	-
	6	20	-	-	-	-	-	-	-	-	-	-	-	-	-	-
Boom: 5.7m	4.5	15	-	-	-	-	-	-	-	-	-	-	-	-	-	-
18'8"	3	10	-	-	-	-	-	-	-	-	-	-	-	-	-	-
Arm: 2.9m	1.5	5	-	-	-	-	-	-	-	-	-	-	-	-	-	-
9'6"	0	0	-	-	-	-	-	-	-	-	-	-	-	-	-	-
	-1.5	-5	-	-	-	-	-	-	-	-	-	-	-	-	-	-
	-3	-10	-	-	-	-	-	-	-	-	-	-	-	-	-	-
	-4.5	-15	-	-	-	-	-	-	-	-	-	-	-	-	-	-
	9	30	-	-	-	-	-	-	-	-	-	-	-	-	-	-
	7.5	25	-	-	-	-	-	-	-	-	-	-	-	-	-	-
	6	20	-	-	-	-	-	-	-	-	-	-	-	-	-	-
Boom: 5.7m	4.5	15	-	-	-	-	-	-	-	-	-	-	-	-	-	-
18'8"	3	10	-	-	-	-	-	-	-	-	-	-	-	-	-	-
Arm: 2.5m	1.5	5	-	-	-	-	-	-	-	-	-	-	-	-	-	-
8'2"	0	0	-	-	-	-	-	-	-	-	-	-	-	-	-	-
+ Dozer blade	-1.5	-5	-	-	-	-	-	-	-	-	-	-	-	-	-	-
down	-3	-10	-	-	-	-	-	-	-	-	-	-	-	-	-	-
	-4.5	-15	-	-	-	-	-	-	-	-	-	-	-	-	-	-
	9	30	-	-	-	-	-	-	-	-	-	-	-	-	-	-
	7.5	25	-	-	-	-	-	-	-	-	-	-	-	-	-	-
	6	20	-	-	-	-	-	-	-	-	-	-	-	-	-	-
Boom: 5.7m	4.5	15	-	-	-	-	-	-	-	-	-	-	-	-	-	-
18'8"	3	10	-	-	-	-	-	-	-	-	-	-	-	-	-	-
Arm: 2.9m	1.5	5	-	-	-	-	-	-	-	-	-	-	-	-	-	-
9'6"	0	0	-	-	-	-	-	-	-	-	-	-	-	-	-	-
	-1.5	-5	-	-	-	-	-	-	-	-	-	-	-	-	-	-
	-3	-10	-	-	-	-	-	-	-	-	-	-	-	-	-	-
	-4.5	-15	-	-	-	-	-	-	-	-	-	-	-	-	-	-
	9	30	-	-	-	-	-	-	-	-	-	-	-	-	-	-
	7.5	25	-	-	-	-	-	-	-	-	-	-	-	-	-	-
	6	20	-	-	-	-	-	-	-	-	-	-	-	-	-	-
Boom: 5.7m	4.5	15	-	-	-	-	-	-	-	-	-	-	-	-	-	-
18'10"	3	10	-	-	-	-	-	-	-	-	-	-	-	-	-	-
Arm: 2.5m	1.5	5	-	-	-	-	-	-	-	-	-	-	-	-	-	-
8'2"	0	0	-	-	-	-	-	-	-	-	-	-	-	-	-	-
	-1.5	-5	-	-	-	-	-	-	-	-	-	-	-	-	-	-
	-3	-10	-	-	-	-	-	-	-	-	-	-	-	-	-	-
	-4.5	-15	-	-	-	-	-	-	-	-	-	-	-	-	-	-
	9	30	-	-	-	-	-	-	-	-	-	-	-	-	-	-
	7.5	25	-	-	-	-	-	-	-	-	-	-	-	-	-	-
	6	20	-	-	-	-	-	-	-	-	-	-	-	-	-	-
2PCS Boom: 5.75m	4.5	15	-	-	-	-	-	-	-	-	-	-	-	-	-	-
18'10"	3	10	-	-	-	-	-	-	-	-	-	-	-	-	-	-
Arm: 2.5m	1.5	5	-	-	-	-	-	-	-	-	-	-	-	-	-	-
8'2"	0	0	-	-	-	-	-	-	-	-	-	-	-	-	-	-
	-1.5	-5	-	-	-	-	-	-	-	-	-	-	-	-	-	-
	-3	-10	-	-	-	-	-	-	-	-	-	-	-	-	-	-
	-4.5	-15	-	-	-	-	-	-	-	-	-	-	-	-	-	-
	9	30	-	-	-	-	-	-	-	-	-	-	-	-	-	-
	7.5	25	-	-	-	-	-	-	-	-	-	-	-	-	-	-
	6	20	-	-	-	-	-	-	-	-	-	-	-	-	-	-
2PCS Boom: 5.75m	4.5	15	-	-	-	-	-	-	-	-	-	-	-	-	-	-
18'10"	3	10	-	-	-	-	-	-	-	-	-	-	-	-	-	-
Arm: 2.9m	1.5	5	-	-	-	-	-	-	-	-	-	-	-	-	-	-
9'6"	0	0	-	-	-	-	-	-	-	-	-	-	-	-	-	-
	-1.5	-5	-	-	-	-	-	-	-	-	-	-	-	-	-	-
	-3	-10	-	-	-	-	-	-	-	-	-	-	-	-	-	-
	-4.5	-15	-	-	-	-	-	-	-	-	-	-	-	-	-	-
	9	30	-	-	-	-	-	-	-	-	-	-	-	-	-	-
	7.5	25	-	-	-	-	-	-	-	-	-	-	-	-	-	-
	6	20	-	-	-	-	-	-	-	-	-	-	-	-	-	-
2PCS Boom: 5.75m	4.5	15	-	-	-	-	-	-	-	-	-	-	-	-	-	-
18'10"	3	10	-	-	-	-	-	-	-	-	-	-	-	-	-	-
Arm: 2.5m	1.5	5	-	-	-	-	-	-	-	-	-	-	-	-	-	-
8'2"	0	0	-	-	-	-	-	-	-	-	-	-	-	-	-	-
+ Dozer blade	-1.5	-5	-	-	-	-	-	-	-	-	-	-	-	-	-	-
down	-3	-10	-	-	-	-	-	-	-	-	-	-	-	-	-	-
	-4.5	-15	-	-	-	-	-	-	-	-	-	-	-	-	-	-
	9	30	-	-	-	-	-	-	-	-	-	-	-	-	-	-
	7.5	25	-	-	-	-	-	-	-	-	-	-	-	-	-	-
	6	20	-	-	-	-	-	-	-	-	-	-	-	-	-	-
2PCS Boom: 5.75m	4.5	15	-	-	-	-	-	-	-	-	-	-	-	-	-	-
18'10"	3	10	-	-	-	-	-	-	-	-	-	-	-	-	-	-
Arm: 2.9m	1.5	5	-	-	-	-	-	-	-	-	-	-	-	-	-	-
9'6"	0	0	-	-	-	-	-	-	-	-	-	-	-	-	-	-
	-1.5	-5	-	-	-	-	-	-	-	-	-	-	-	-	-	-
	-3	-10	-	-	-	-	-	-	-	-	-	-	-	-	-	-
	-4.5	-15	-	-	-	-	-	-	-	-	-	-	-	-	-	-









Notes: 1. Machine in "Fine Mode-F" (Power boost) for lifting capacities. | 2. The above loads are in compliance with SAE J1097 and ISO 10567 Hydraulic Excavator Lifting Capacity Standards. | 3. Rated loads do not exceed 87% of hydraulic lifting capacity or 75% tipping load. | 4. Rated loads marked with an asterisk (\*) are limited by hydraulic capacity rather than tipping load.





**ECR235DL Lifting capacity 900mm, 36" track shoe, 6,400kg, 14,110 lb counterweight**

At the arm end without bucket. For Lifting capacity including bucket, simply subtract actual weight of the direct fit bucket or the bucket with quick fit from the following values

	Lifting Point		1.5m 5ft		3m 10ft		4.5m 15ft		6m 20ft		7.5m 25ft		Max. Reach		Max.					
	m	ft																		
			t	lb	t	lb	t	lb	t	lb	t	lb	t	lb	t	lb	t	lb	m	ft
Boom: 5.7m 18'8" Arm: 2.5m 8'2"	9	30	-	-	-	-	-	-	-	-	-	-	-	-	-	-	-	-	-	-
	7.5	25	-	-	-	-	-	-	-	-	-	-	-	-	-	-	-	-	-	-
	6	20	-	-	-	-	-	-	-	-	-	-	-	-	-	-	-	-	-	-
	4.5	15	-	-	-	-	-	-	-	-	-	-	-	-	-	-	-	-	-	-
	3	10	-	-	-	-	-	-	-	-	-	-	-	-	-	-	-	-	-	-
	1.5	5	-	-	-	-	-	-	-	-	-	-	-	-	-	-	-	-	-	-
	0	0	-	-	-	-	-	-	-	-	-	-	-	-	-	-	-	-	-	-
	-1.5	-5	-	-	-	-	-	-	-	-	-	-	-	-	-	-	-	-	-	-
-3	-10	-	-	-	-	-	-	-	-	-	-	-	-	-	-	-	-	-	-	
-4.5	-15	-	-	-	-	-	-	-	-	-	-	-	-	-	-	-	-	-	-	
Boom: 5.7m 18'8" Arm: 2.9m 9'6"	9	30	-	-	-	-	-	-	-	-	-	-	-	-	-	-	-	-	-	-
	7.5	25	-	-	-	-	-	-	-	-	-	-	-	-	-	-	-	-	-	-
	6	20	-	-	-	-	-	-	-	-	-	-	-	-	-	-	-	-	-	-
	4.5	15	-	-	-	-	-	-	-	-	-	-	-	-	-	-	-	-	-	-
	3	10	-	-	-	-	-	-	-	-	-	-	-	-	-	-	-	-	-	-
	1.5	5	-	-	-	-	-	-	-	-	-	-	-	-	-	-	-	-	-	-
	0	0	-	-	-	-	-	-	-	-	-	-	-	-	-	-	-	-	-	-
	-1.5	-5	-	-	-	-	-	-	-	-	-	-	-	-	-	-	-	-	-	-
-3	-10	-	-	-	-	-	-	-	-	-	-	-	-	-	-	-	-	-	-	
-4.5	-15	-	-	-	-	-	-	-	-	-	-	-	-	-	-	-	-	-	-	
Boom: 5.7m 18'8" Arm: 2.5m 8'2" + Dozer blade down	9	30	-	-	-	-	-	-	-	-	-	-	-	-	-	-	-	-	-	-
	7.5	25	-	-	-	-	-	-	-	-	-	-	-	-	-	-	-	-	-	-
	6	20	-	-	-	-	-	-	-	-	-	-	-	-	-	-	-	-	-	-
	4.5	15	-	-	-	-	-	-	-	-	-	-	-	-	-	-	-	-	-	-
	3	10	-	-	-	-	-	-	-	-	-	-	-	-	-	-	-	-	-	-
	1.5	5	-	-	-	-	-	-	-	-	-	-	-	-	-	-	-	-	-	-
	0	0	-	-	-	-	-	-	-	-	-	-	-	-	-	-	-	-	-	-
	-1.5	-5	-	-	-	-	-	-	-	-	-	-	-	-	-	-	-	-	-	-
-3	-10	-	-	-	-	-	-	-	-	-	-	-	-	-	-	-	-	-	-	
-4.5	-15	-	-	-	-	-	-	-	-	-	-	-	-	-	-	-	-	-	-	
Boom: 5.7m 18'8" Arm: 2.9m 9'6" + Dozer blade down	9	30	-	-	-	-	-	-	-	-	-	-	-	-	-	-	-	-	-	-
	7.5	25	-	-	-	-	-	-	-	-	-	-	-	-	-	-	-	-	-	-
	6	20	-	-	-	-	-	-	-	-	-	-	-	-	-	-	-	-	-	-
	4.5	15	-	-	-	-	-	-	-	-	-	-	-	-	-	-	-	-	-	-
	3	10	-	-	-	-	-	-	-	-	-	-	-	-	-	-	-	-	-	-
	1.5	5	-	-	-	-	-	-	-	-	-	-	-	-	-	-	-	-	-	-
	0	0	-	-	-	-	-	-	-	-	-	-	-	-	-	-	-	-	-	-
	-1.5	-5	-	-	-	-	-	-	-	-	-	-	-	-	-	-	-	-	-	-
-3	-10	-	-	-	-	-	-	-	-	-	-	-	-	-	-	-	-	-	-	
-4.5	-15	-	-	-	-	-	-	-	-	-	-	-	-	-	-	-	-	-	-	
2PCS Boom: 5.75m 18'10" Arm: 2.5m 8'2"	9	30	-	-	-	-	-	-	-	-	-	-	-	-	-	-	-	-	-	-
	7.5	25	-	-	-	-	-	-	-	-	-	-	-	-	-	-	-	-	-	-
	6	20	-	-	-	-	-	-	-	-	-	-	-	-	-	-	-	-	-	-
	4.5	15	-	-	-	-	-	-	-	-	-	-	-	-	-	-	-	-	-	-
	3	10	-	-	-	-	-	-	-	-	-	-	-	-	-	-	-	-	-	-
	1.5	5	-	-	-	-	-	-	-	-	-	-	-	-	-	-	-	-	-	-
	0	0	-	-	-	-	-	-	-	-	-	-	-	-	-	-	-	-	-	-
	-1.5	-5	-	-	-	-	-	-	-	-	-	-	-	-	-	-	-	-	-	-
-3	-10	-	-	-	-	-	-	-	-	-	-	-	-	-	-	-	-	-	-	
-4.5	-15	-	-	-	-	-	-	-	-	-	-	-	-	-	-	-	-	-	-	
2PCS Boom: 5.75m 18'10" Arm: 2.9m 9'6"	9	30	-	-	-	-	-	-	-	-	-	-	-	-	-	-	-	-	-	-
	7.5	25	-	-	-	-	-	-	-	-	-	-	-	-	-	-	-	-	-	-
	6	20	-	-	-	-	-	-	-	-	-	-	-	-	-	-	-	-	-	-
	4.5	15	-	-	-	-	-	-	-	-	-	-	-	-	-	-	-	-	-	-
	3	10	-	-	-	-	-	-	-	-	-	-	-	-	-	-	-	-	-	-
	1.5	5	-	-	-	-	-	-	-	-	-	-	-	-	-	-	-	-	-	-
	0	0	-	-	-	-	-	-	-	-	-	-	-	-	-	-	-	-	-	-
	-1.5	-5	-	-	-	-	-	-	-	-	-	-	-	-	-	-	-	-	-	-
-3	-10	-	-	-	-	-	-	-	-	-	-	-	-	-	-	-	-	-	-	
-4.5	-15	-	-	-	-	-	-	-	-	-	-	-	-	-	-	-	-	-	-	
2PCS Boom: 5.75m 18'10" Arm: 2.5m 8'2" + Dozer blade down	9	30	-	-	-	-	-	-	-	-	-	-	-	-	-	-	-	-	-	-
	7.5	25	-	-	-	-	-	-	-	-	-	-	-	-	-	-	-	-	-	-
	6	20	-	-	-	-	-	-	-	-	-	-	-	-	-	-	-	-	-	-
	4.5	15	-	-	-	-	-	-	-	-	-	-	-	-	-	-	-	-	-	-
	3	10	-	-	-	-	-	-	-	-	-	-	-	-	-	-	-	-	-	-
	1.5	5	-	-	-	-	-	-	-	-	-	-	-	-	-	-	-	-	-	-
	0	0	-	-	-	-	-	-	-	-	-	-	-	-	-	-	-	-	-	-
	-1.5	-5	-	-	-	-	-	-	-	-	-	-	-	-	-	-	-	-	-	-
-3	-10	-	-	-	-	-	-	-	-	-	-	-	-	-	-	-	-	-	-	
-4.5	-15	-	-	-	-	-	-	-	-	-	-	-	-	-	-	-	-	-	-	
2PCS Boom: 5.75m 18'10" Arm: 2.9m 9'6" + Dozer blade down	9	30	-	-	-	-	-	-	-	-	-	-	-	-	-	-	-	-	-	-
	7.5	25	-	-	-	-	-	-	-	-	-	-	-	-	-	-	-	-	-	-
	6	20	-	-	-	-	-	-	-	-	-	-	-	-	-	-	-	-	-	-
	4.5	15	-	-	-	-	-	-	-	-	-	-	-	-	-	-	-	-	-	-
	3	10	-	-	-	-	-	-	-	-	-	-	-	-	-	-	-	-	-	-
	1.5	5	-	-	-	-	-	-	-	-	-	-	-	-	-	-	-	-	-	-
	0	0	-	-	-	-	-	-	-	-	-	-	-	-	-	-	-	-	-	-
	-1.5	-5	-	-	-	-	-	-	-	-	-	-	-	-	-	-	-	-	-	-
-3	-10	-	-	-	-	-	-	-	-	-	-	-	-	-	-	-	-	-	-	
-4.5	-15	-	-	-	-	-	-	-	-	-	-	-	-	-	-	-	-	-	-	

Notes: 1. Machine in "Fine Mode-F" (Power boost) for lifting capacities. | 2. The above loads are in compliance with SAE J1097 and ISO 10567 Hydraulic Excavator Lifting Capacity Standards. | 3. Rated loads do not exceed 87% of hydraulic lifting capacity or 75% tipping load. | 4. Rated loads marked with an asterisk (\*) are limited by hydraulic capacity rather than tipping load.

# EQUIPMENT.

## STANDARD EQUIPMENT

	ECR145D	ECR235D
<b>Engine</b>		
Turbocharged, 4 stroke diesel engine with water cooling, direct injection and charged air cooler that meets Stage IIIB/ Tier 4 Interim requirements		
Air filter with indicator	•	•
Air intake heater	•	•
Electric engine shut-off	•	•
Fuel filter and water separator	•	•
Fuel filler pump: 35 l/min, with automatic shut-off	•	•
Alternator, 80 A	•	•
<b>Electric/Electronic control system</b>		
Contronics	•	•
- Advanced mode control system	•	•
- Self-diagnostic system	•	•
Machine status indication	•	•
Engine speed sensing power control	•	•
Automatic idling system	•	•
One-touch power boost	•	•
Safety stop/start function	•	•
Adjustable LCD color monitor	•	•
Master electrical disconnect switch	•	•
Engine restart prevention circuit	•	•
High-capacity halogen lights:	•	•
- Frame-mounted 2	•	•
- Boom-mounted 2	•	•
Batteries,		
2 x 12 V / 100 Ah (ECR145D)	•	
2 x 12 V / 150 Ah (ECR235D)		•
Start motor, 24 V / 5.5 kW	•	•
<b>Hydraulic system</b>		
Hose rupture valve: boom	•	•
Overload warning device	•	•
Automatic sensing hydraulic system	•	•
- Summation system	•	•
- Boom priority	•	•
- Arm priority	•	•
- Swing priority	•	•
ECO mode fuel saving technology	•	•
Boom, arm and bucket regeneration valves	•	•
Swing anti-rebound valves	•	•
Boom and arm holding valves	•	•
Multi-stage filtering system	•	•
Cylinder cushioning	•	•
Cylinder contamination seals	•	•
Auxiliary hydraulic valve	•	•
Automatic two-speed travel motors	•	•
Hydraulic oil, long life oil, ISO VG 46	•	•
<b>Frame</b>		
Access way with handrail	•	•
Tool storage area	•	•
Punched metal anti-slip plates	•	•
Undercover (heavy-duty)	•	•
Full height counterweight:		
3200 kg (7060 lb)	•	
6400 kg (14110 lb)		•
<b>Cab and interior</b>		
ROPS (ISO12117-2) certified cab	•	•
Silicon oil and rubber mounts with spring	•	•
Travel pedals and hand levers	•	•

	ECR145D	ECR235D
Adjustable operator seat and joystick control console	•	•
Control joysticks with 4 switches each	•	•
Heater & air-conditioner, automatic	•	•
Flexible antenna	•	•
AM/FM stereo with CD player and MP3 input	•	•
Hydraulic safety lock lever	•	•
Cab, all-weather sound suppressed, includes:	•	•
- Cup holders	•	•
- Door locks	•	•
- Tinted glass	•	•
- Floor mat	•	•
- Horn	•	•
- Large storage area	•	•
- Pull-up type front window	•	•
- Removable lower windshield	•	•
- Seat belt	•	•
- Safety glass	•	•
- Sun screens, front, roof, rear	•	•
- Rain shield	•	•
- Windshield wiper with intermittent feature	•	•
Rear view camera	•	•
Master key	•	•
<b>Undercarriage</b>		
Undercover (heavy-duty)	•	•
Hydraulic track adjusters	•	•
Greased and sealed track link	•	•
Track Guard	•	•
Track shoes		
600 mm with triple grousers	•	•
<b>Digging equipment</b>		
Boom: 4.6 m (15'1") monoblock	•	
Arm: 2.5 m (8'2")	•	
Boom: 5.7 m (18'8") monoblock		•
Arm: 2.9 m (9'6")		•
Manual centralized lubrication	•	•

## OPTIONAL EQUIPMENT

	ECR145D	ECR235D
<b>Engine</b>		
Block heater: 120 V, 240 V	•	•
Diesel coolant heater, 5 kW	•	•
Water separator with heater	•	•
Auto engine shutdown	•	•
<b>Electric</b>		
Extra lights:	•	•
- Cab-mounted 2	•	•
- Boom-mounted 2	•	•
- Counterweight-mounted 1	•	•
Travel alarm	•	•
Anti-theft system	•	•
Rotating warning beacon	•	•
<b>Hydraulic system</b>		
Hose rupture valve: arm	•	•
Boom float function with HRV	•	•
Boom float function without HRV	•	•
<b>Hydraulic piping:</b>		
- Attachment management system (up to 18 programmable memories)	•	•

## OPTIONAL EQUIPMENT

	ECR145D	ECR235D
- Hammer & shear, 1 and 2 pump flow	•	•
- Hammer & shear: variable flow and pressure pre-setting	•	•
- Slope & rotator	•	•
- Grapple	•	•
- Oil leak (drain) line	•	•
- Quick coupler piping	•	•
Volvo hydraulic quick coupler S6	•	
Volvo hydraulic quick coupler S1		•
Volvo hydraulic quick coupler U14	•	
Volvo hydraulic quick coupler U21		•
Hydraulic oil, biodegradable 46	•	•
Hydraulic oil, longlife oil 32	•	•
Hydraulic oil, longlife oil 46	•	•
Hydraulic oil, longlife oil 68	•	•
<b>Cab and interior</b>		
Fabric seat with heater	•	•
Fabric seat with heater and air suspension	•	•
Pilot control pattern change	•	•
Opening top hatch	•	•
Falling object guard (FOG)	•	•
- Cab-mounted	•	•
Cab-mounted falling object protective structure (FOPS)	•	•
Smoker kit (ashtray and lighter)	•	•
Screen guard for front window	•	•
Anti-vandalism kit	•	•
Specific key	•	•
<b>Undercarriage</b>		
Full track guard		•
Track shoes		
500mm (20") / 750mm (30") with triple grousers	•	
600mm (24") / 700mm (28") with HD triple grousers.	•	
500mm (20") with rubber shoe	•	
700mm (28") / 800mm (32") / 900 mm (36") with triple grousers		•
700mm (28") with HD triple grousers.		•
700mm (28") with double grousers		•
600mm (24") with rubber shoe		•
<b>Digging equipment</b>		
Boom: 4.72 m (15'6") 2 piece boom	•	
Boom: 5.76 m (18'11") 2 piece boom		•
Arm: 2,1 m (6'11"), 3,0 m (9'10")	•	
Arm: 2,5 m (8'2") HD		•
Linkage with lifting eye	•	•
Extended greasing bushing	•	•
<b>Service</b>		
Tool kit, daily maintenance	•	•
Tool kit, Compact	•	•

## SELECTION OF VOLVO OPTIONAL EQUIPMENT

Boom float



Falling object guard



Proportional joystick



Dozer blade



Two piece boom



UQF/SQF quick couplers



# VOLVO CONSTRUCTION EQUIPMENT

Volvo Construction Equipment is different. Our machines are designed, built and supported in a different way. That difference comes from an engineering heritage of over 175 years. A heritage of thinking first about the people who actually use the machines. About how to help them be safer, more comfortable, more productive. About the environment we all share. The result of that thinking is a growing range of machines and a global support network dedicated to helping you do more. People around the world are proud to use Volvo.

Not all products are available in all markets. Under our policy of continuous improvement, we reserve the right to change specifications and design without prior notice. The illustrations do not necessarily show the standard version of the machine.

## **VOLVO**

**Volvo Construction Equipment**  
**[www.volvoce.com](http://www.volvoce.com)**

Ref. No 20031172-A  
2012.03  
Volvo, Global Marketing

English-22  
EXC