

**VOLVO EXCAVATORS**

# **EW180B**



**VOLVO**

# Tradition and innovation in perfect harmony

The new generation of Volvo wheeled excavators is a logical development of earlier models. At the same time, it's a whole new machine, where well-proven design solutions and new technology meet. Perfect harmony between tradition and innovation has resulted in an excavator that stands in a class of its own. Featuring Volvo's own new engines, refined hydraulics and a wide variety of new solutions, the new generation wheeled excavators are just as good at lifting and traveling as they are at digging. A complete machine that's perfect for any job - both on and off the road.



## Innovation at every turn

When we designed the EW180B, we examined every component of our excavators to determine how to maximise comfort, reliability, productivity and serviceability. And we focused on a few key areas to make it happen. The result is a new Volvo-designed engine that's reliable and powerful, built to perfectly match hydraulic output levels for maximum productivity. A hydraulic system that's both tough and intelligent, designed to respond to the slightest operator command. A cab with a full range of operator conveniences and comfort help to make the work day as smooth as possible. Features throughout the machine have been designed to simplify routine maintenance, for more uptime

to get the job done.

## At your service

Take a look at the wide variety of innovations we added to the EW180B. Remember that every Volvo excavator is backed by complete customer support from the worldwide network of Volvo dealers and their service and parts organisations.

---

## Specifications EW180B

● Engine:	Volvo D6D EFE2	● Breakout force:	111,2 kN	● Max. digging depth:	6,4 m
Rated power at:	32 r/s (1900 r/min)	● Bucket:	0,42–1,10 m <sup>3</sup>	● Max. travel speed:	35 km/h
SAE J1995, gross:	119 kW (160 hp)	● Max. digging reach:	9,7 m	● Operating weight:	17,7–19,5 t
ISO 9249, DIN 6271, net:	112 kW (150 hp)				





# Outstanding performance



## We've designed an engine with optimal productivity

One of the greatest differences on the new excavators are the new Volvo in-house produced six cylinder low-emission engines. Using vast experience and well-proven technology, we've designed an engine with optimal productivity that goes beyond all known environmental requirements, with less sound and lower fuel consumption than the predecessors.

Our engines use fuel extremely efficiently, and this means minimised hazardous emissions without any power loss. Since the engines are matched to the hydraulics, it's possible to operate at low engine speeds and still maintain quick movement of the digging equipment.

The new engine, the advanced hydraulics and the outstanding digging geometry combine to make the EW180B excavator perfect in a wide range of applications. It's a complete excavator, just as good at lifting and travelling as it is at digging. Excellent off-road mobility and on-road capacity allow you to maintain higher average speed, fast travel between different work sites.

## Excellent manoeuvrability, even at low engine speeds

Volvo's advanced hydraulic system has been further refined for the new generation's excavators, making the new machines extremely smooth and manoeuvrable. The hydraulics pump oil to the functions only when it's needed, and all power is concentrated to the activated function. The operator has complete control of the machine and attachment, giving a feeling of being one with the machine.

The system is designed and built using proven and highly reliable components – optimised for Volvo – enabling simultaneous activation of several movements and giving the operator safe control of both load and attachment. This provides excellent manoeuvrability, even at low engine speeds. We dare say that it's the best hydraulic system on the market. With Volvo's unique float mode, production increases while reducing fuel consumption and wear.

## High average speed guarantees high productivity

The excavators feature world class

digging and lifting forces. An engine with high torque drives the hydraulic system, delivering both high working pressure and high flow. High forces and quick movements combined with outstanding manoeuvrability guarantee high productivity.

## Just as good at lifting high as it is at digging deep

With two different digging booms, a wide range of dipper arm lengths and attachments, there's a solution to all needs. Rugged booms and dipper arms are dimensioned for the most extreme stresses. And, with Volvo's tried-and-tested hydraulic quick-fit, you can change attachments without leaving the cab. Unbeatable flexibility that generates productivity. The unique boom geometry also delivers higher lift and very good dumping height, and that means faster work cycles. These new excavators are just as good at lifting high as they are at digging really deep.

### Engine

- New turbocharged air-to-air intercooled six cylinder low emission Volvo engine built specifically for use in Volvo excavators easily meets EU STEP2 requirements.
- The electronically controlled fuel injection provides quick response, lower fuel consumption and faster workcycles.
- High engine output gives top class performance.
- 3-step air cleaner increases the engine lifetime and lower operating cost.

- Auto idling system reduces noise and fuel consumption.

### Hydraulics

- State-of-art hydraulic system gives you excellent manoeuvrability with minimal power losses.
- One-touch power boost for increase in digging and lifting forces.
- Durable aluminium core oil-cooler with an electronically controlled hydrostatic fan is located separately from radiator for easy access for cleaning.

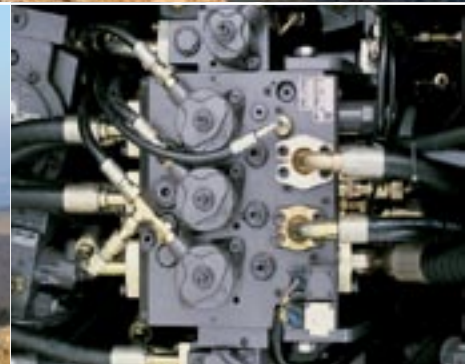
- High versatility for extra hydraulic equipment.

- Optional boom float position – featured by Volvo since 1968.

### Digging equipment

- Booms and dipper arms built to withstand extreme stress and provide long, reliable lifetime.
- Excellent digging and lifting capacities.
- A wide selection of booms and dipper arms gives you a solution for every need.







# Complete control

Technical solutions must always be introduced on human terms. It's the operator who should be in command of the machine, not the opposite. That's why our new excavators are equipped with new advanced technology that always gives the operator complete control. Volvo's mode selector allows the operator to select a working mode so that the machine adapts to the current operating techniques and operating conditions. The new instrument panel combined with MDU - Machine Display Unit - provides the operator with all relevant information about machine status in a simple and logical manner.

## Make your own mode pre-setting

The customer mode, allowing machine performance to be set to the operator's own operating conditions and operating technique. In a very simple way, the hydraulic oil flow and engine speed can be set individually.

The new instrument panel combined with MDU - Machine Display Unit - provides the operator with all relevant information about machine status in a simple and logical manner. In this way, the operator can concentrate on operating and the job. Coolant temperature and fuel level are highly visible at a glance, and it's just as easy to get information on engine speed and the selected mode, as well as engine hours and system voltage. Warning lights and an audible alarm signal alert the operator in case of a malfunction.

## Go as slow as you desire

The Power Shift transmission allows the operator to shift between low and high speed range on the move. The trans-

mission has three separate max. speeds, of which one is a 4 km/h creep speed. However, sometimes road construction and grading jobs require even slower speeds. That's why the function now is adjustable. The operator can go as slow as desired, depending on the job that needs to be done.

## A truly stable performer

The outriggers and the dozer blade give the already rugged and well-balanced machine extra stability. The outriggers spread is almost four metres. Still, the outriggers are no problem in off-road operations, they're simply folded in close to the machine. The dozer blade makes the machine a truly stable performer. Sometimes, the machine operates in inaccessible areas and rough ground conditions that require high flexibility and all-round capability. With Volvo's excavators, you can choose to run all supports simultaneously or with separate movements, in any combination.



In some situations, it might be impossible to use the outriggers. That's why it's possible to select drum brakes as an option, ensuring stable digging without play in the axles, even without outriggers.

## Electrical / Electronic system

- New instrument panel, combined with machine Display Unit (MDU) enables even faster operating status checks and greater work efficiencies.
- New mode selector switch with customer mode setting for the preferred machine performance.

- Well protected and easily accessible distribution box for fuses and relays.

## Undercarriage

- High travel speed and tractive force with good ground clearance enabling excellent on-road and off-road mobility.

- Rugged design of the outriggers and the dozer blade - wide outrigger spread.
- Independently or simultaneously operated undercarriage supports.





# More compact on the outside, more spacious on the inside

Function is a part of every detail in the new machines, which the new design clearly shows. The EW180B is more compact than the predecessor, for easier operation and more efficient work in urban environments and narrow streets. Excellent boom lifting height and short tail radius makes it possible to both slew and turn the machine around even in rather tight areas. The cab is slightly more square than before, simply because this makes the cab more spacious on the inside. There's lots of room for your feet as well as a practical lunchbox compartment and ample space for any personal items you may want on long shifts.



## A good work environment is not an option

During development of the new machines, we've worked hard to make the cab as operator-friendly as possible. There's good reason for that; a good work environment is not an option when caring for operator comfort and operating pleasure. And only a comfortable operator does a good job. The cab is equipped with a new ergonomic operator's seat, with multiple adjust-

ment functions for optimal individual comfort. Even the cab's lever consoles have vertical adjustment. The electronic climate control system always ensures a comfortable cab environment. In short, the new machines offer a safe and comfortable workplace to be enjoyed, even during those long shifts.

## A cab with a view

Good comfort and high safety require good visibility all around the machine in all weather and operating conditions.

Visibility in the new cab has been improved. The strong yet narrow cab pillars give the operator a safe workplace, significant reduction of 'blind spots' on both sides and excellent forward visibility on the work site. The front windshields of tinted safety glass are designed without mouldings, giving a clear view in the digging direction without blinding glare from intense sunlight.

## Perfect co-ordination between operator and machine

Even the smallest parts in the ma-

chines are designed for perfect co-ordination between operator and machine, making work effective and comfortable at the same time. The operator should have a comfortable operating environment, and it should be possible to really use all of the machine's functions and features. The machine responds immediately to the operator's commands, pedals and levers react consequently and distinctly to every movement. Instruments are easy to read and controls are within easy reach, ergonomically and logically placed to make work as operator-friendly and smooth as possible. You, the operator, have full control of both machine and attachment in all jobs, even the toughest applications, making it possible for you to work long effective shifts without getting tired.

### Cab

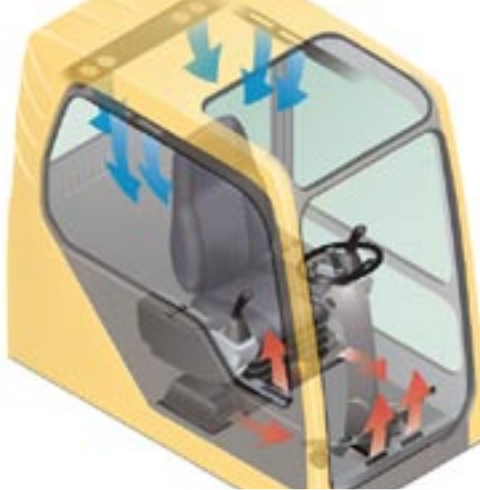
- Ergonomically-designed cab provides greater operator comfort for higher operator efficiency and productivity.
- Improved visibility for safer and more efficient operation.
- Increased cooling and heating capacity, with Electronic Climate Control (ECC) and thirteen vents.

- Very low cab noise level.
- Supported by gas springs, the upper front pane is very easy to slide up.
- High quality comfortable seat with nine different adjustments.

### Superstructure

- Compact tail slew radius and low machine profile.
- Large side rear view mirror enhancing visibility and safety for both driving and working.





# Care – down to the last detail

Volvo wheeled excavators are designed and built using the most advanced systems and technology available in the world today. Nothing has been left to chance. But, technology has not been allowed to stand above all. Instead, we've focused on operating safety and care - care of the machine, the environment and, most of all, the operator.

## Easiest and safest workday possible

A wide range of ergonomic details and ingenious solutions, along with longitudinal mounting of the engine in the machine, mean easy service and routine maintenance from ground level. For service points higher up, the machine has the market's widest and safest platforms with anti-slip steps. Behind the cab on the middle of the machine, there is a spacious platform with lots of room to work. All these features encourage and facilitate the important service work, and give the operator the easiest and safest workday possible.

## When it comes to safety, Volvo is in a class of its own

When it comes to operator safety and machine safety, Volvo is in a class of its own. An excavator must be able to handle tough work and withstand high stresses. It's important that travelling is safe, and this is something we've worked hard on for the new generation of excavators. The highly visible hydraulic safety bar in front of the left control console enables the operator to easily enter or leave the

machine without activating any machine functions.

Volvo excavators feature a unique travel lock. By turning a switch, you lock the entire superstructure to the undercarriage and, at the same time, all hydraulic functions are blocked. This prevents accidental movement of the digging equipment, slew or the undercarriage's support functions when travelling on a public road. In addition, the front axle is automatically locked when the digging brake is applied, ensuring full stability at work.

## Automatic speed retardation gives you peace of mind

Even when running downhill at full throttle, the safety feature retards the machine speed and prevents it from overspeeding.

This enables less use of the service brake and gives the operator great peace of mind and safety. Should the machine run out of diesel fuel, there's an emergency system that always allows steering and braking. With the installed accumulators, the brakes in the new machines always provide reliable braking.



### Serviceability

- On-ground maintenance of engine.
- Spacious service walkway with self-cleaning anti-slip steps.
- Large, easy-to-open doors and hoods with locks.
- Centralised and on-ground lubrication for digging equipment and slew bearing.
- Centralised hydraulic pressure check points.

### Environment & Safety

- Low emission engines, meeting EU Step 2 emissions standard.
- Low noise hydraulic pumps and hydraulic driven oil cooler fan.
- Optional bio-degradable hydraulic oil.
- Highly visible hydraulic safety lock with tilting console box.

- Safe and easy superstructure alignment to undercarriage for travelling.
- Automatic front axle lock on applying the digging brake.
- Automatic retardation of downhill speed.
- Optional front window safety net, FOPS and FOG.





# The EW180B in detail

## Engine

The engine is a low emission, turbocharged, 4-stroke diesel engine with water cooling, direct injection and charged air cooler that meets EU Step 2 requirements. The engine has been developed especially for excavator use, providing good fuel economy, low noise levels and a long service life.

Air Filter: 3-stage

Automatic Idling System: Reduces engine

speed to idle when the levers and pedals are not activated resulting in less fuel consumption and low cab noise level.

Engine.....	Volvo D6D EFE2
Rated power at.....	32 r/s (1 900 r/min)
SAE J1995, gross.....	119 kW (160 hp)
ISO 9249, DIN 6271, net.....	112 kW (150 hp)
Max. torque.....	663 N.m at 1 450 rpm
No. of cylinders.....	6
Displacement, total.....	5,7 l
Bore.....	98 mm
Stroke.....	126 mm

## Electrical system

Contronics, provides advanced monitoring of machine function and important diagnostic information. High capacity and well protected electrical system. Centrally located fuse and relay box using clearly arranged printed circuit board mounted, for easy access, behind the cab.

A center passage for additional electrical functions is optionally available. A master switch is standard.

Voltage.....	24 V
Battery.....	2 x 12 V
Battery capacity.....	140 Ah
Alternator.....	28 V / 80 A
Alternator rating.....	2240 W

## Cab

The operator's cab has easy access via a wide door opening. The cab is supported on hydraulic dampening mounts to reduce shock and vibration levels. These along with a sound absorbing lining provide low noise levels. The cab has excellent all-round visibility. The front windshield can easily slide up into the ceiling, and the lower front glass can be removed and stored in the door.

Integrated air conditioning and heating system:

The pressurised and filtered cab air is supplied by automatically controlled fan. The air is distributed via 13 vents.

Ergonomic operator's seat: The adjustable seat and joystick consoles move independently to accommodate the operator. The seat has nine different adjustments and a seat belt to meet any operator's comfort and safety.

Sound Level:

Sound level in cab according to ISO 6396..... 72 LpA dB(A)

External sound level

according to ISO 6395..... 103 LwA dB(A)  
(Directive 2000/14/EC)

## Undercarriage

Drive train: One big variable axial-piston motor on the two-step Power Shift gearbox gives power to front and rear axles, both with hub reductions.

Framework: All-welded robust torsion box frame.

Wheels: Alternative single and twin wheels available.

Front axle: Robust excavator axle with automatic or operator controlled front axle oscillation lock. Oscillating  $\pm 9^\circ$  (with mudguards  $\pm 7^\circ$ ).

Twin wheels.....	10,00–20
Max. tractive force (net).....	102 kN
Travel speed, on road.....	20,0/30,0/35,0 km/h
Travel speed, off road.....	5,2/8,0 km/h
Travel speed, creep.....	3,7 km/h
Min. turning radius.....	7,3 m

## Brakes

Service brakes: servo-hydraulically manoeuvred self-adjusting wet multidiscs in two separate brake circuits.

Parking brake: negative wet disc in gear housing, spring applied and pressure released.

Digging brake: service brake with mechanical lock system.

Security system: The 2-circuit travel brakes are supplied with two accumulators in the event of failure in the service brake system.

## Weights

Machine with 5,2 m monoblock boom, 2,45 m dipper arm, quickfit S1, 630 kg / 830 l bucket.

\* Machine with 5,25 m 2-piece boom.

Total machine weight incl. dozer blade front and outriggers rear..... 19 200 kg..... \*19 500 kg

Total machine weight incl. dozer blade rear, excl. outriggers..... 17 700 kg..... \*18 000 kg

## Service refill capacities

Fuel tank.....	300 l
Hydraulic system, total.....	320 l
Hydraulic tank.....	190 l
Engine oil.....	25 l
Engine coolant.....	22 l
Transmission.....	2,9 l
Axle housing	
Front axle.....	8,5 l
Rear axle.....	10,5 l
Final drive	
Wet disc type.....	2,0 l
Drum type.....	1,8 l

## Hydraulic system

Closed-centre load sensing hydraulic system with pressure compensated valves. Load independence of movements. Flow sharing feature, combined with a high flow electronically controlled pump (power regulation). The system gives superior manoeuvrability and fast movements, for optimal working result and economy.

The following working modes are included in the system:

Parking mode (P):

Parking position for optimal safety.

Travel mode (T):

Engine speed is controlled by travel pedal stroke for low fuel consumption and noise. Work equipment are not able to move at this mode for optimal safety.

Working mode (W):

Full working flow with adjustable engine rpm for normal working and best speed utilisation.

Customer mode (C):

Operator can set proper oil flow in accordance with job conditions.

Power Boost:

All digging and lifting forces are increased.

Hydraulic pumps:

Main pump

Type..... low noise axial piston pump  
Max. flow..... 355 l/min

Brake + steering pump

Type..... low noise gear pump  
Max. flow..... 32 l/min

Hydraulic oil cooling fan + servo pump

Type..... gear pump  
Max. flow..... 47 l/min

Max. pressure

Implements..... 32/36 MPa  
Travel system..... 36 MPa  
Pilot system..... 3,5 MPa

## Slew system

The superstructure is slewed by the means of an axial piston motor with a planetary reduction gear.

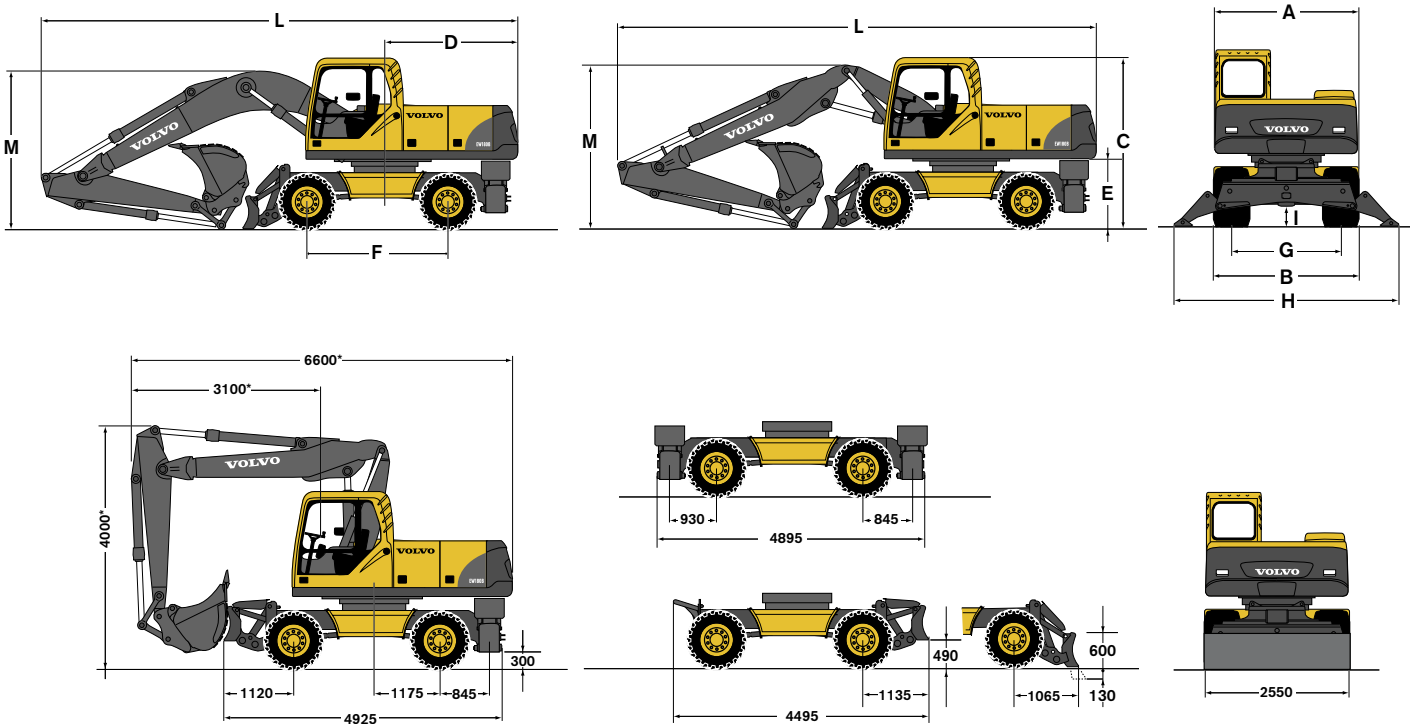
Automatic slew holding brake and anti-rebound valve are standard.

Max slew speed..... 9,5 rpm



# Specifications

## Dimensions



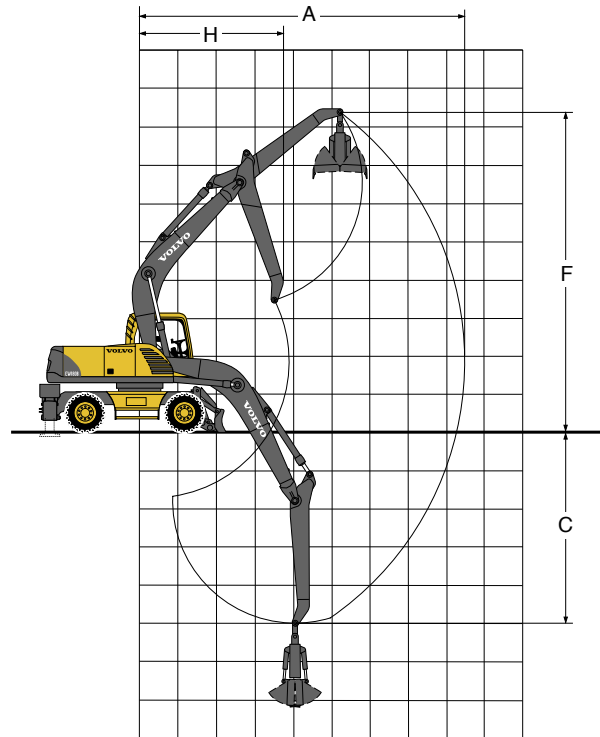
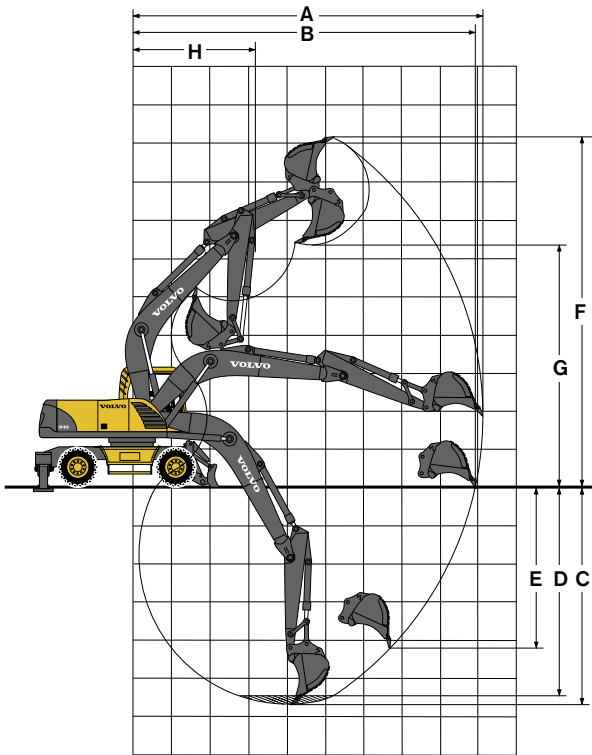
\* Travel position with 2,45 m dipper arm

Description	Unit	5,2 m Monoblock boom			5,25 m 2-piece boom		
		2,45 m	2,6 m	3,0 m	2,45 m	2,6 m	3,0 m
A. Overall width of superstructure	mm	2 500			2 500		
B. Overall width	mm	2 550			2 550		
C. Overall height of cab	mm	3 120			3 120		
D. Tail slew radius	mm	2 450			2 450		
E. Counterweight clearance	mm	1 290			1 290		
F. Wheel base	mm	2 600			2 600		
G. Tread	mm	1 925			1 925		
H. Outrigger width, down (front or rear)	mm	3 960			3 960		
I. Min. ground clearance	mm	370			370		
<b>Dipper arm length:</b>							
L. Overall length	mm	8 690	8 785	8 520	8 795	8 785	8 810
M. Overall height of boom	mm	2 960	3 300	4 000	3 075	3 050	3 480

## Working Ranges & Digging Forces

Monoblock boom 5,2 m and  
dipper arm 2,45 m, 2,6 m, 3,0 m

Monoblock boom 5,2 m and  
dipper arm for grab, 3,2 m



<b>Monoblock boom</b>	m	5,2	5,2	5,2	5,2
<b>Dipper arm</b>	m	2,45	2,6	3,0	3,2*
A. Max. digging reach	m	9,2	9,3	9,6	8,5
B. Max. digging reach at ground level	m	9,0	9,1	9,4	–
C. Max. digging depth	m	5,7	5,8	6,2	5,0
D. Max. digging depth (2440 mm level)	m	5,5	5,6	6,0	–
E. Max. vertical wall digging depth	m	4,2	4,3	4,8	–
F. Max. cutting height	m	9,1	9,1	9,2	8,4
G. Max. dumping height	m	6,4	6,4	6,6	–
H. Min. front slew radius	m	3,2	3,2	3,2	3,8

\* Grab arm

Digging forces with direct fit bucket:					
Bucket radius	m	1,42	1,42	1,42	–
Breakout force (SAE/ISO)	kN	111,2/122,9	111,2/122,9	111,2/122,9	–
Tearout force (SAE/ISO)	kN	101,0/102,6	97,1/98,5	88,1/89,2	–
Rotation angle, bucket	°	187°	187°	187°	–

Max. permitted sizes for quick fit buckets:					
GP-bucket (1,5 t/m³)	l	950	925	775	–
GP-bucket (1,8 t/m³)	l	850	825	675	–

Max. permitted sizes for direct fit buckets:					
GP-bucket (1,5 t/m³)	l	1 025	1 000	850	–
GP-bucket (1,8 t/m³)	l	925	875	750	–

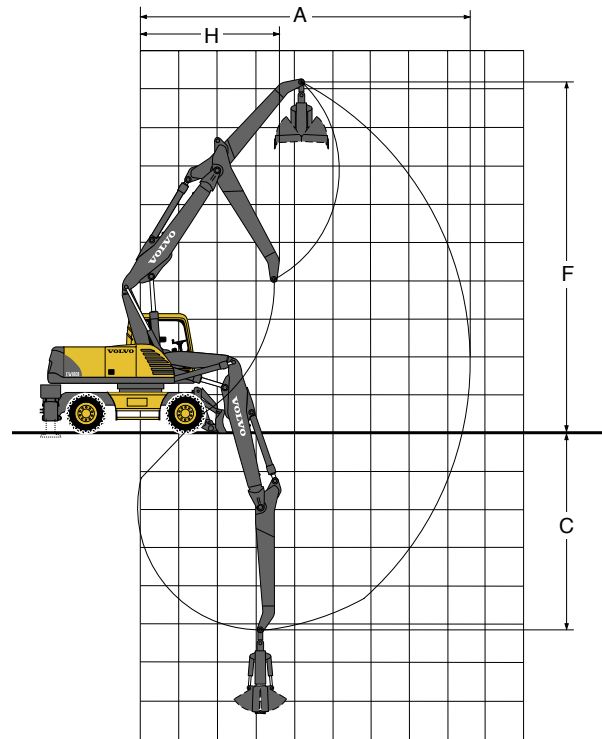
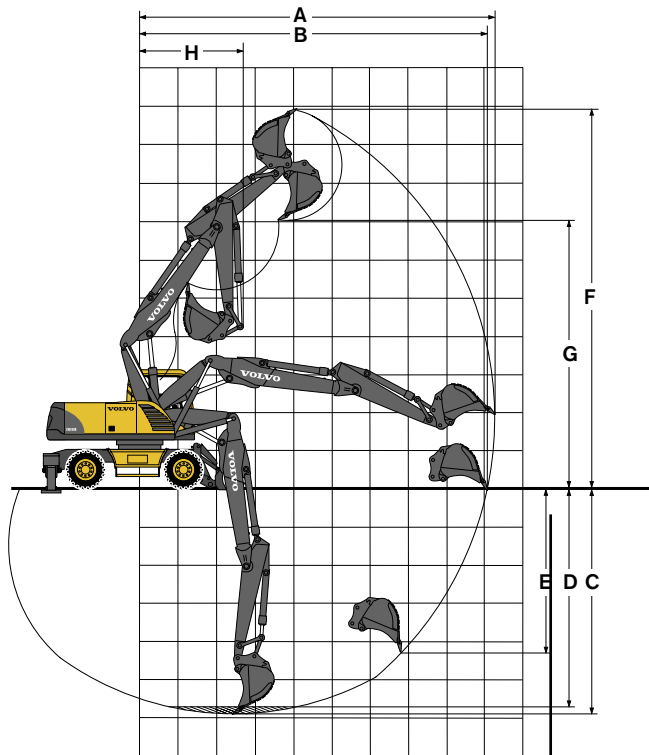
Note: 1. Bucket size based on SAE-J296, heaped material with a 1:1 angle of repose.  
2. "Max permitted sizes" are for reference only and are not necessarily available from the factory.



## Working Ranges & Digging Forces

2-piece boom 5,25 m and  
dipper arm 2,45 m, 2,6 m, 3,0 m

2-piece boom 5,25 m and  
dipper arm for grab 3,2 m



2-piece boom	m	5,25	5,25	5,25	5,25
Dipper arm	m	2,45	2,6	3,0	3,2*
A. Max. digging reach	m	9,3	9,4	9,7	8,6
B. Max. digging reach at ground level	m	9,1	9,2	9,5	–
C. Max. digging depth	m	5,9	6,0	6,4	5,1
D. Max. digging depth (2440 mm level)	m	5,8	5,9	6,3	–
E. Max. vertical wall digging depth	m	4,2	4,3	4,7	–
F. Max. cutting height	m	9,9	10,0	10,1	9,2
G. Max. dumping height	m	7,0	7,1	7,3	–
H. Min. front slew radius	m	2,6	2,6	2,6	3,6

\* Grab arm

Digging forces with direct fit for GP bucket:					
Bucket radius	m	1,42	1,42	1,42	–
Breakout force (SAE/ISO)	kN	111,2/122,9	111,2/122,9	111,2/122,9	–
Tearout force (SAE/ISO)	kN	101,0/102,6	97,1/98,5	88,1/89,2	–
Rotation angle, bucket	°	187°	187°	187°	–

Max. permitted sizes for quick fit buckets:					
GP-bucket (1,5 t/m³)	l	900	875	725	–
GP-bucket (1,8 t/m³)	l	800	775	650	–

Max. permitted sizes for direct fit buckets:					
GP-bucket (1,5 t/m³)	l	975	950	800	–
GP-bucket (1,8 t/m³)	l	875	850	700	–

Note: 1. Bucket size based on SAE-J296, heaped material with a 1:1 angle of repose.  
2. "Max permitted sizes" are for reference only and are not necessarily available from the factory.









## Lifting Capacity

At the arm end, without bucket. Unit: 1 000 kg

For lifting capacity including bucket, simply subtract actual weight of bucket from the following values.

 Across under-carriage  Along under-carriage	Lifting hook related to ground level	Reach from machine centre																u = support up		d = support down										
		1,5 m				3,0 m				4,5 m				6,0 m				7,5 m				Max. reach				Max. m				
		u	d	u	d	u	d	u	d	u	d	u	d	u	d	u	d	u	d	u	d	u	d	u	d					
5,25 m 2-piece boom 2,45 m dipper arm Rear dozer blade	7,5 m									4,4*	4,4*	4,4*	4,4*												3,7	4,1	4,4*	4,4*	5,2	
	6,0 m									4,4*	4,4*	4,4*	4,4*	2,9	3,3	4,4	4,7*									2,5	2,8	3,7	4,0*	6,6
	4,5 m					6,9*	6,9*	6,9*	6,9*	4,5	5,0	5,6*	5,6*	2,8	3,2	4,3	5,1*	1,8	2,1	2,8	5,3	2,0	2,2	3,0	3,8*	7,3				
	3,0 m									4,1	4,6	6,4	7,6*	2,6	3,0	4,1	6,0*	1,7	2,0	2,8	5,2	1,7	2,0	2,7	3,9*	7,7				
	1,5 m									3,7	4,1	5,9	9,6*	2,5	2,8	3,9	7,0*	1,7	1,9	2,7	5,1	1,6	1,9	2,6	4,2*	7,8				
	0,0 m					5,9*	6,0*	5,9*	6,0*	3,4	3,9	5,7	10,8*	2,3	2,6	3,7	7,3									1,7	1,9	2,7	4,7*	7,6
	-1,5 m					6,3	7,3	11,4	11,8*	3,4	3,9	5,6	11,1*	2,3	2,6	3,7	7,2									1,8	2,1	2,9	5,6	7,0
-3,0 m					6,4	7,4	11,6	15,4*	3,4	3,9	5,7	10,4*	2,3	2,7	3,7	7,3									2,3	2,6	3,7	7,3	6,0	
5,25 m 2-piece boom 2,6 m dipper arm Rear dozer blade	7,5 m									4,1*	4,1*	4,1*	4,1*													3,5	3,8	4,1*	4,1*	5,4
	6,0 m									4,1*	4,1*	4,1*	4,1*	2,9	3,3	4,4	4,5*									2,4	2,6	3,6	3,7*	6,7
	4,5 m									4,5	5,0	5,3*	5,3*	2,8	3,2	4,3	5,0*									1,9	2,1	2,9	3,6*	7,5
	3,0 m									4,1	4,6	6,4	7,4*	2,7	3,0	4,1	5,9*	1,8	2,1	2,9	5,3	1,7	1,9	2,6	3,6*	7,9				
	1,5 m									3,7	4,2	5,9	9,4*	2,5	2,8	3,9	6,9*	1,8	2,0	2,8	5,2	1,6	1,8	2,5	3,9*	7,9				
	0,0 m					6,2	6,4*	6,4*	6,4*	3,4	3,9	5,7	10,7*	2,3	2,6	3,7	7,3	1,7	1,9	2,7	5,1	1,6	1,8	2,6	4,4*	7,7				
	-1,5 m					6,2	7,2	11,4	11,6*	3,4	3,8	5,6	11,0*	2,3	2,6	3,7	7,2									1,8	2,0	2,9	5,4*	7,2
-3,0 m					6,4	7,4	11,5	15,7*	3,4	3,9	5,7	10,5*	2,3	2,6	3,7	7,3									2,2	2,5	3,6	6,9	6,2	
5,25 m 2-piece boom 3,0 m dipper arm Rear dozer blade	7,5 m																									3,0	3,3	3,4*	3,4*	6,0
	6,0 m														3,0	3,3	4,0*	4,0*								2,1	2,4	3,1*	3,1*	7,2
	4,5 m									4,6	4,7*	4,7*	4,7*	2,9	3,2	4,3	4,5*	1,9	2,2	3,0	4,6*	1,7	2,0	2,7	3,0*	7,9				
	3,0 m					7,6	8,7	10,6*	10,6*	4,2	4,7	6,5	6,7*	2,7	3,0	4,1	5,5*	1,8	2,1	2,9	5,0*	1,5	1,7	2,4	3,1*	8,2				
	1,5 m									3,7	4,2	6,0	8,9*	2,5	2,8	3,9	6,5*	1,7	2,0	2,8	5,2	1,5	1,7	2,3	3,3*	8,3				
	0,0 m					6,1	6,9*	6,9*	6,9*	3,4	3,9	5,7	10,3*	2,3	2,6	3,7	7,3	1,7	1,9	2,7	5,1	1,5	1,7	2,4	3,6*	8,1				
	-1,5 m	6,7*	6,7*	6,7*	6,7*	6,1	7,1	10,8	10,8*	3,3	3,8	5,6	10,9*	2,2	2,5	3,6	7,2	1,6	1,8	2,6	5,0	1,6	1,8	2,6	4,3*	7,6				
-3,0 m					6,2	7,2	11,4	16,2*	3,3	3,8	5,6	10,7*	2,2	2,5	3,6	7,2									1,9	2,2	3,1	5,8*	6,7	
5,25 m 2-piece boom 3,2 m dipper arm for grab Rear dozer blade	9,0 m																									4,6*	4,6*	4,6*	4,6*	4,5
	7,5 m														3,2	3,5	4,3*	4,3*								2,9	3,2	4,2	4,6*	6,4
	6,0 m														3,3	3,6	4,1*	4,1*								2,2	2,4	3,2	4,4*	7,5
	4,5 m									4,6*	4,6*	4,6*	4,6*	3,1	3,5	4,6	4,6*	2,2	2,4	3,2	4,7*	1,9	2,1	2,8	4,2*	8,2				
	3,0 m									4,5	5,0	6,7*	6,7*	3,0	3,3	4,4	5,6*	2,1	2,3	3,1	5,1*	1,7	1,9	2,5	4,3*	8,5				
	1,5 m									4,0	4,5	6,3	8,9*	2,7	3,1	4,2	6,7*	2,0	2,2	3,0	5,4	1,6	1,8	2,4	4,4	8,6				
	0,0 m									3,7	4,2	6,0	10,5*	2,6	2,9	4,0	7,6	1,9	2,1	2,9	5,3	1,6	1,8	2,5	4,5	8,4				
-1,5 m					6,5	7,4	9,5*	9,5*	3,6	4,1	5,9	11,2*	2,5	2,8	3,9	7,4	1,9	2,1	2,9	5,3	1,7	2,0	2,7	4,9	7,9					
-3,0 m					6,5	7,5	11,7	15,6*	3,6	4,1	5,8	11,1*	2,5	2,8	3,9	7,4									2,0	2,3	3,2	5,8	7,0	
-4,5 m									3,7	4,2	6,0	9,7*													3,0	3,3	4,6	7,8*	5,4	

- Notes:
- Working pressure with Power Boost = 36 MPa.
  - The above values are in compliance with ISO standard 10 567. They do not exceed 87 % of hydraulic lifting capacity or 75 % of tipping load, with the machine on firm, level ground.
  - Load capacities marked with an asterisk (\*) are limited by machine's hydraulic lifting capacity rather than tipping load.



## STANDARD EQUIPMENT

### Engine

Turbocharged, 4 stroke Volvo diesel engine with water cooling, direct injection and charged air cooler that meets EU Step 2 emission requirements  
Air intake heater  
Electric engine shut-off  
Fuel filter and water separator  
Fuel filler pump: 50 l/min with automatic shut-off  
Aluminium core radiator

### Electric / Electronic control system

Contronics – computerized monitoring and diagnostic system  
Master switch  
Automatic idling system  
One-touch power boost  
Adjustable monitor  
Engine restart prevention circuit  
Safety stop/start function  
High capacity halogen lamps  
– Frame mounted 2  
– Cab mounted 2  
Alternator, 80 A  
Batteries, 2 x 12 V / 140 Ah  
Start motor, 24 V / 4.8 kW

### Undercarriage

2-speed power transmission plus creep speed  
Oscillating front axle  $\pm 9^\circ$   
2-circuit travel brakes  
Maintenance-free propeller shafts

### Superstructure

Counterweight, 3 220 kg  
Service walkway with anti-slip grating  
Centralised lubricating point for slew bearing

### Cab and interior

Heater  
Hydraulic dampening cab mounts  
Adjustable operator seat and joystick control console  
Adjustable steering wheel  
Flexible antenna  
Hydraulic safety lock lever  
Control joystick, with 5 switches each  
Cab, all-weather sound suppressed, includes:  
– Ashtray  
– Cup holder  
– Lighter  
– Door locks  
– Tinted glass

– Floor mat  
– Horn  
– Large storage area  
– Pull-up type front window  
– Removable lower windshield  
– Seat belt  
– Safety glass  
– Windshield wiper with intermittent feature  
– Radio assembly preparation  
Sun shield, front  
Anti-vandalism kit assembly preparation  
Master ignition key

### Hydraulic system

Load sensing hydraulic system  
Cylinder cushioning  
Cylinder contamination seals  
Return filter of full flow type 2 000 h exchange interval  
Pressure relief system (servo accumulator)  
Thermostatically controlled cooling fan  
Hose rupture valve for boom  
Hydraulic oil, ISO VG46

### Digging equipment

Attachment points for extra hydraulics  
Centralised lubrication point

## ALTERNATIVE EQUIPMENT

### Undercarriage

Twin tyres 10.00–20  
Single tyre 18R-19.5  
Stone protection rings  
Front dozer blade and rear outriggers  
Rear dozer blade  
4 outriggers  
Grab holder

### Digging equipment

#### Booms

5,2 m monoblock  
5,25 m 2-piece boom

### Dipper arms

2,45 m  
2,6 m  
3,0 m  
3.2 m grab arm

### Buckets

#### General Purpose bucket (GP)

##### Capacity Width

420 l	700 mm
500 l	800 mm
580 l	900 mm
670 l	1 000 mm
750 l	1 100 mm
830 l	1 200 mm
900 l	1 300 mm
1 100 l	1 400 mm

### Cab and interior

Seat:  
– Fabric seat  
– Fabric seat, with heater  
– Fabric seat, with heater and air suspension

## OPTIONAL EQUIPMENT

(Standard in certain markets)

### Engine

Diesel-powered cab and engine heater with digital timer  
Electric engine heater, 220V/110V  
Tropical cooling kit

### Electric / Electronic control system

Travel alarm  
Rotating warning beacon  
Extra work lights:  
– Service walkway 1 and counterweight 1  
– Boom-mounted 2  
Electric center passage

### Undercarriage

Mudguards, front / rear  
Tool box, left hand side / right hand side  
Rear axle with drum brake  
Cruise control  
Cruise control with adjustable creep speed

### Cab and interior

Heater & air-conditioner, ECC  
Falling object guard (FOG)  
Cab mounted falling object protective structures (FOPS)  
Rain shield, front  
Sun shield, front, roof, rear  
Sunlight protection, roof (steel)  
Safety net for front window  
Lower wiper  
Anti-vandalism kit

### Hydraulic system

Hose rupture valve for dipper arm  
Float position on boom  
Hydraulic oil, ISO VG 32  
Hydraulic oil, ISO VG 68  
Hydraulic oil, biodegradable 46

Hydraulic equipment for:

- A. Hammer/shears
- B. Slope bucket/rotator
- C. Grab/clam shell
- D. Quickfit

### Hydraulic quickfit

S1

### Attachments

Ripper, S1  
Hammer holder, S1  
Grab holder, S1

### Service

Tool kit  
Hand lamp, 24 V



Volvo Construction Equipment is different. It's designed, built and supported in a different way. That difference comes from an engineering heritage of over 170 years. A heritage of thinking first about the people who actually use the machines. About how to help them be safer, more comfortable, more productive. About the environment we all share. The result of that thinking is a growing range of machines and a global support network dedicated to helping you do more. People around the world are proud to use Volvo. And we're proud of what makes Volvo different - **More care. Built in.**



*All products are not available in all markets. Under our policy of continuous improvement, we reserve the right to change specifications and design without prior notice. The illustrations do not necessarily show the standard version of the machine.*

**VOLVO**

Construction Equipment  
[www.volvo.com](http://www.volvo.com)

Ref. No. 21 4 433 1152  
Printed in Sweden 2005.09-xx  
Volvo, Konz

English  
EED