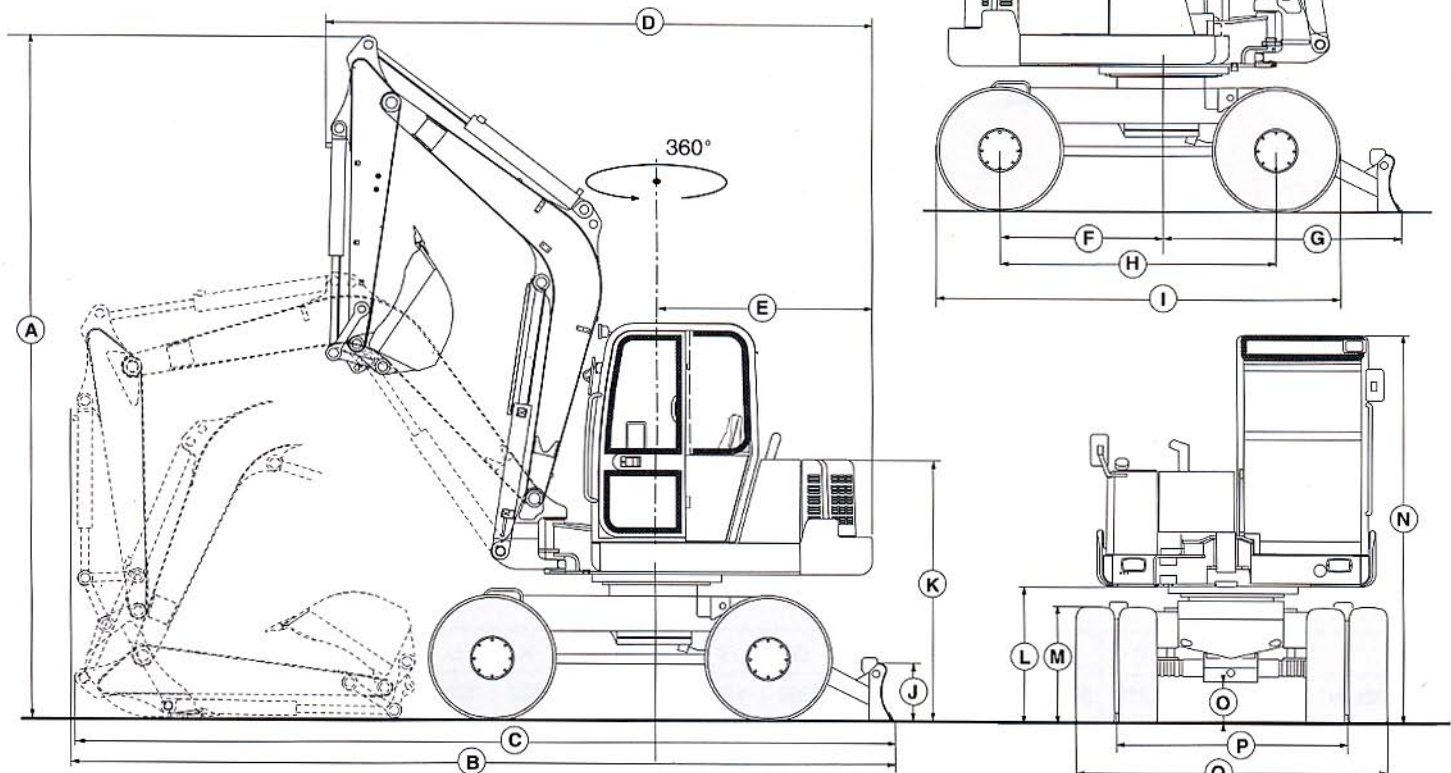


Pel- EB706P



(tyres >) mm	A	B	C	D	E	F	G	H	I	J	K	L	M	N	O	(8.25x20)		(15.5/55R18)	
																P	Q	P	Q
Arm 1800mm	5074	6008	5955	4015	1585	1200	1700	2050	3042	380	1960	1105	970	2963	361	1760	2266	1750	2124
Arm 2200mm	5074	5850	5981	4073	1585	1200	1700	2050	3042	380	1960	1105	970	2963	361	1760	2266	1750	2124

OPERATING MASS

With twin wheels 8-25x20,
1800 mm arm,
750 mm bucket,
Standard dozer blade: 7170 kg

BUCKETS

Standard bucket

- Width:750 mm
- Capacity:246 L

Other buckets

- Width:from 325 to 900 mm
- Capacity:from 98 to 306 L

Ditch buckets

- Width:1500 mm
- Capacity:244 L

PERFORMANCES

Wrenching force:

- With bucket cylinder: 5190 daN
- With dipper arm cylinder: 3450 daN

Travel speeds:

- "Slow speed" selection: 1st = 3,5 kph
..... 2nd = 6,5 kph
- "Fast speed" selection: 1st = 12 kph
..... 2nd = 20,5 kph

Drawbar pull: 3100 daN

ENGINE

- Mitsubishi S4S direct injection type
- Displacement: 3331cm³
- 4 cylinders. Water-cooled.
- Net installed power (ECE-R24):
..... 56CV (41KW) at 2200 rpm
- Max. torque: 20.4 daNm at 1350-1550 rpm

WHEELS

- Twin wheels as standard.
Tyres: 8-25x20
- Wheels available in option:
Tyres: 15.5 / 55 R18

STEERING

- Hydrostatic.
- Turning radius (outside of wheels):
- With tyres 8-25x20: 5500 mm
- With tyres 15,5x55R18: 5115 mm

HYDRAULIC SYSTEM

- "LOAD SENSING" system.
- Power-assisted hydraulic controls.

Travel and excavation equipment circuit:

- A variable output "Load Sensing" pump with power control:
- Max. delivery: 160 l/min
- Operating pressure: 250 bar
- Secondary pressure: 320bar
- Cushions on the boom, offset and dipper arm cylinders.

Blade and slewing circuit:

- A gear pump:
- Max. delivery: 50 l/min
- Operating pressure: 260 bar
- Safety valves on the blade cylinders fitted as standard.

Accessories circuit:

- Max. delivery rate(Load Sensing): 105 l/min

SLEWING

- Slow axial piston slewing hydraulic motor and direct crown drive, without a reducer.
- Hydro-sensor valve on the slewing circuit (progressive starting and stopping).
- Multi-disc automatic brake.
- Speed: 9 rpm

CAPACITIES

- Diesel tank: 110 L
- Hydraulic reservoir: 73 L

ELECTRICAL CIRCUIT

- Battery: 12 V - 105 AH
- Alternator: 12 V - 50 A
- Starting motor: 12 V - 2.2 KW

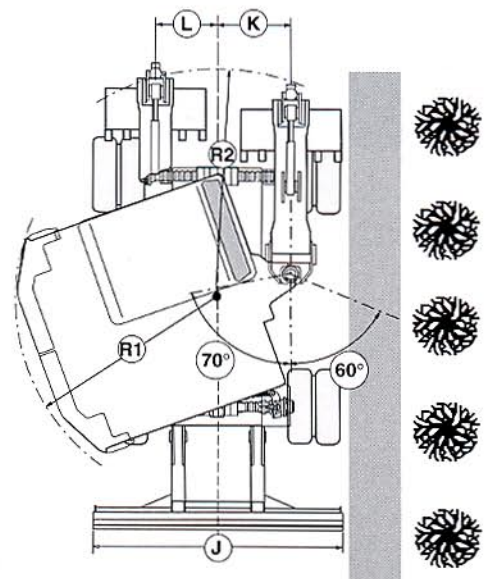
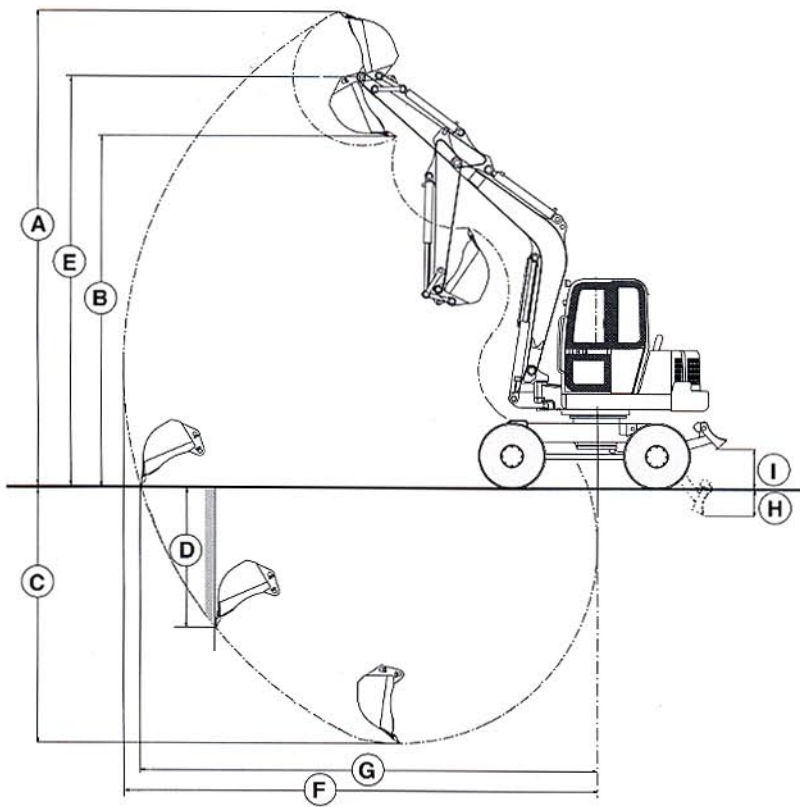
SOUNDPROOFING

Soundproofing in accordance with existing EEC directive.

- Outside sound level (L_{WA}): 100.5 dB(A)
- Sound level in the cab (L_{pA}): 80 dB(A)

OPTIONS

- Tyres 15.5 / 55 R18
- Stabilisers.
- Dozer blade on stabilisers.
- Safety valves for handling with overload warning device.
- Special paint.
- Biological oil.
- Quick-coupling system for attachments.
- Working light.
- Flashing beacon.



mm	A	B	C	D	E	F	G	H	I	J	K	L	R1	R2
Arm 1800mm	6702	4950	3583	1940	5787	6632	6385	162	722	2280	726	625	1697	2026
Arm 2200mm	6970	5218	3982	2284	6053	7014	6784	162	722	2280	726	625	1697	2080

LIFTING PERFORMANCES:

Nominal handling load tables:

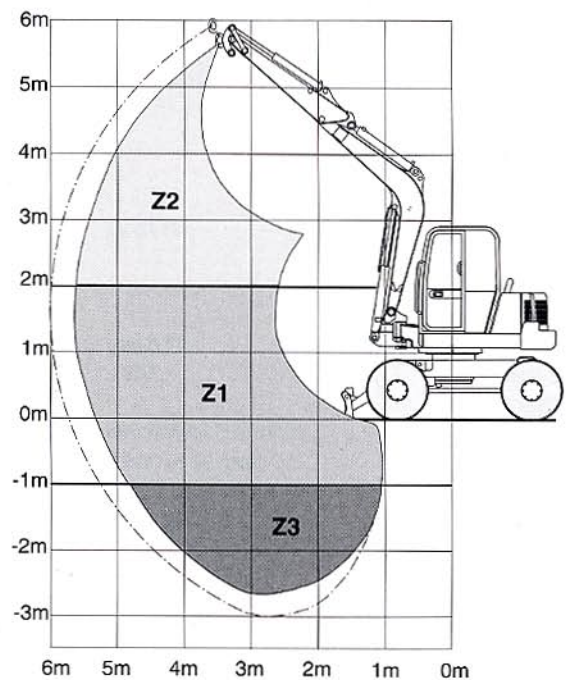
• These values are indicated for a machine without a tool and a quick-release connector.

• Equipment: In full rotation, parallel to machine axis.

• Nominal handling loads, in Ton, i.e. 75% of the tipping load or 87% of the hydraulic limit. (* = Hydraulic limit).

• These loads are valid for all heights (Z) at the reach indicated.

Reach (m)	>												
		2.5	3	3	4	4	5	5	5.6 maxi	5.6 maxi	5.6 maxi	5.6 maxi	
	Z2	2.61	2.80*	1.66*	1.66*	1.18*	1.18*	0.93	1.28*				
	Z1	2.32	2.62*	1.78	2.73*	1.21	1.90*	0.90	1.49	0.77	1.09*		
	Z3	2.38	3.13*	1.81	2.43*	1.22	2.02						
	Z2	2.80*	2.80*	1.66*	1.66*	1.18*	1.22*	1.28*	1.28*				
	Z1	2.62*	2.62	2.73*	2.73*	1.83	1.90*	1.34	1.61*	1.09*	1.09*		
	Z3	3.13	3.13*	2.43	2.43*	1.85	2.39*						
Reach (m)	>	2.5	3	4	5	6 maxi							
		Z2	2.54	2.97*	1.68*	1.68*	1.06*	1.03*	0.92	1.13*			
Z1		2.28	2.97	1.75	2.24*	1.18	1.67	0.87	1.43	0.68	0.84*		
Z3		2.31	3.82	1.76	3.01*	1.18	1.98	0.88	1.43				
	Z2	2.97*	2.97*	1.68*	1.68*	1.06*	1.06*	1.13*	1.13*				
	Z1	2.97*	2.97*	2.24*	2.24*	1.67*	1.67*	1.31	1.45*	0.84*	0.84*		
	Z3	3.82	3.82*	2.81	3.01	1.81	1.95*	1.32	1.45*				



E5400419/GB - M2 (07/96) 2/2

Pel-Job

ECOMAT
AVENUE CHARLES DE GAULLE
01303 BELLEY Cédex - FRANCE

Tél. 04 79 81 15 09
Téléfax 04 79 81 39 63

Machine designed and
manufactured in France

In accordance with its established
policy of constant improvement PEL-
JOB reserves the right to amend this
specification without notice.

GRUPE PEL-JOB