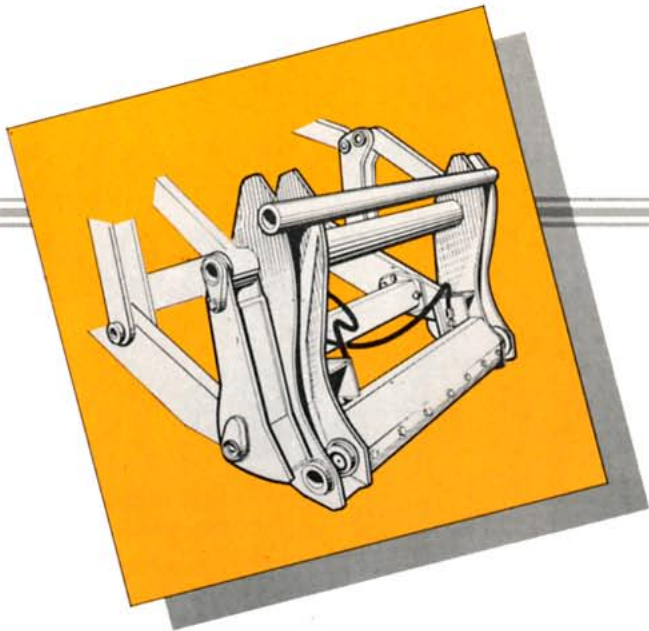


# **VOLVO BM**

## **622/642**





*Different materials require different types of handling—but not always different machines. Volvo BM Allrounders with the right choice of attachments and equipment are the rational solution. And with the new hydraulic attachment bracket, you change attachments easily without having to leave the cab.*



*The illustrations in this brochure show the machines equipped according to Swedish standards. Certain equipment is therefore not standard on the export versions.*

## *Volvo BM Allrounders—efficient at the most diverse tasks*

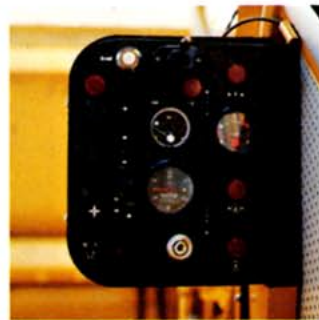
*When high demands are made on economy and reliability, the Volvo BM 622 and 642 are the right choice. They are designed to give a high yield from each working hour with a minimum of service and low fuel consumption. And most important of all: a Volvo BM Allrounder can handle most jobs, thanks to its manoeuvrability and access to a unique range of attachments. The 622 and 642 are powerful, rugged and sturdy loaders. They are made up of tried-and-tested and durable components. The machine is easy to operate and can work with precision where needed. The loader unit lifts high and reaches so far that wide vehicles can be loaded and unloaded from one side. The hydraulic quick-change coupling enables you to change attachments/jobs in less than a minute. The Volvo BM 622 and 642 are reliable machines that feature capacity and versatility combined with good economy.*



The cab is well-insulated and appointed to make the work easy, safe and efficient. The operator sits comfortably in the individually adjustable seat and has good visibility over the entire operating range of the machine.



Easy to change gears with tight, precise positions. Safety start.



Easy-to-read instruments and pilot lamps.



Sturdy handles make it easy to climb up on the machine for inspection.



Safe boarding via well-positioned foot-steps.

## Well designed and practical

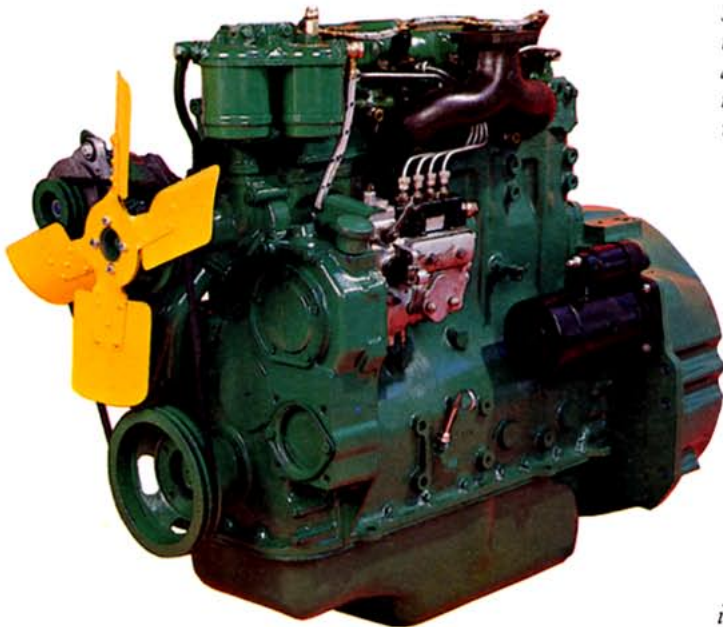
Volvo BM Allrounders are backed up by many years of operating experience in different countries and under vary-

ing working conditions. The 622 and 642 are therefore equipped as standard today with a multitude of refinements for added efficiency and operator satisfaction.

Some examples: Sound-insulated engine compartment, tinted glass, matt black non-glare loader unit, heavy-duty attachment bracket, better-insulated and snug cab, fenders in front. Completely equipped in accordance with current rider truck specifications.

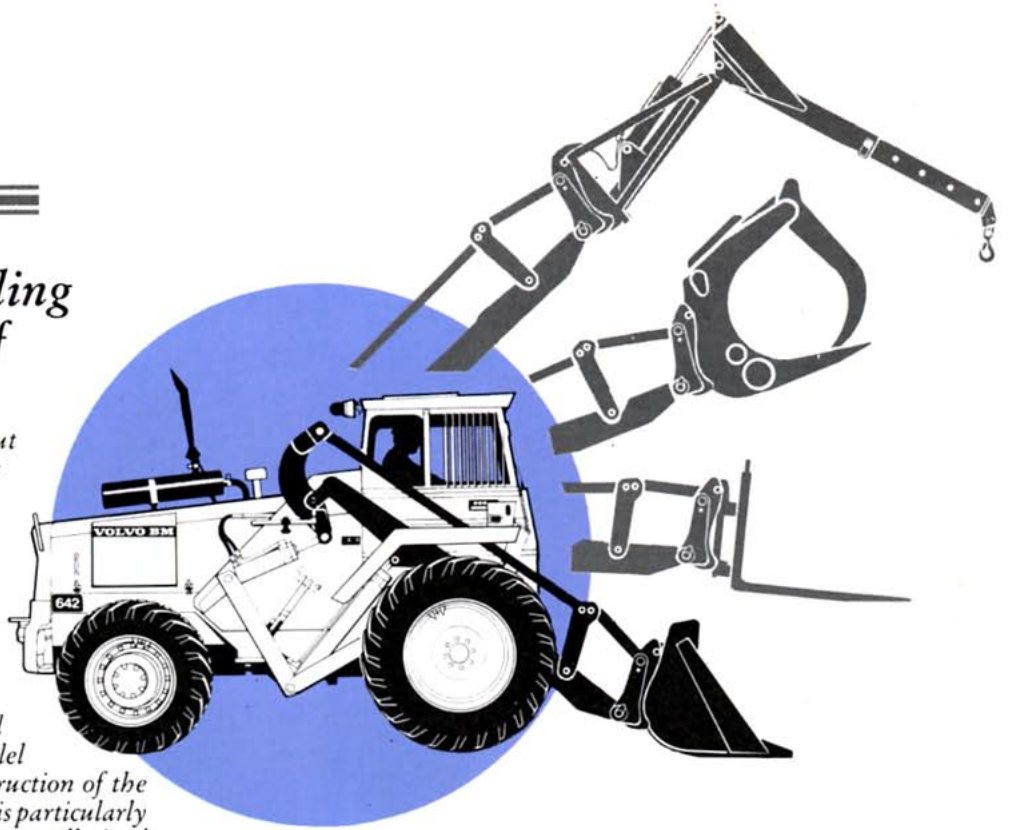
## Economical and powerful Volvo BM engine

The power source is the powerful and reliable Volvo BM D42 diesel engine, renowned for its durability and infrequent breakdowns. It has four cylinders, a total displacement of 4.2 litres and develops 59 kW SAE at 38.4 rps (80 hp SAE at 2300 rpm). The engine is direct-injected and has wet replaceable cylinder linings. The pistons are made of light alloy. The crankshaft is carried in five bearings, all of which are surface-hardened for extra-long life. Air cleaner with dry-air filter and cyclone. Water-cooled oil cooler. The injection system is well tuned for very low fuel consumption.



## Quick change coupling and unique range of attachments

You can choose from a range of about seventy attachments to find the ones best-suited to your needs. The quick-change coupling enables you to change attachments in less than a minute, eliminating the need for specialized machines. No downtime. This means good economy on both a daily and long-term basis. The 622/642 has long reach in front of the tyres, good lifting height, good bucket angles and complete parallel side-arm action, thanks to the construction of the loader unit. Parallel side-arm action is particularly advantageous in the handling of e.g. palletized goods and sawn timber packages.



A Volvo BM Allrounder is a safe investment. It is suited for most jobs of today and can be adapted to the jobs of tomorrow, thanks to the wide range of attachments.

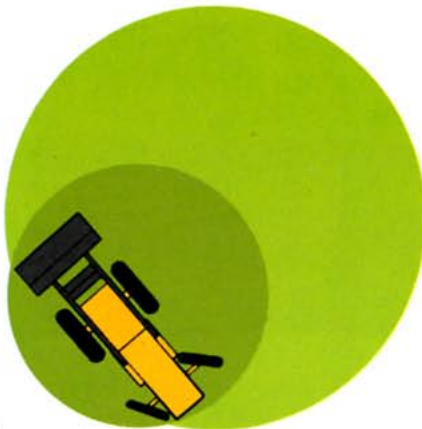


## Confined work areas—no problem

The 622 and 642 have large steering angles and steering brakes, making them easy to manoeuvre and ideal on building sites. Thanks to their agility, they often take the place of space-demanding machines and can be used by different contractors—for site preparation, foundation work, handling wall units, roof trusses, roof-laying etc.—from start to finish of a building project.

Turning radius 622 5.2 m (17 ft), with steering brake about 3.3 m (10' 10").

Turning radius 642 5.6 m (18' 5"), with steering brake about 3.3 m (10' 10").



The entire cab is designed to make the work easier, safer and more efficient. You are seated well forward and have good visibility through large windows all around. The work can be done with safety and precision. You have a continuous view of the machine and the attachment. The cab naturally conforms to the requirements of the Swedish Board of Occupational Safety and Health as regards both static and dynamic strength.

*A machine for all jobs—the rational solution*



*to materials handling*





*Volvo BM Allrounders—Europe's best-selling loaders—are part of Volvo BM's wide range of loaders. They are appreciated for their reliability, capacity and good economy at the most diverse tasks.*

---

# **VOLVO BM**

**VOLVO BM AB ESKILSTUNA SWEDEN**

*The manufacturers reserve the right to change specification or design without prior notice. The illustrations does not necessarily show the machine in its standard version.*

**Ref.No. 21 1 669 1446**  
**ENGELSKA**

Production group for public printed matter Volvo BM  
Photo Foto Consult/Studio Roland