

Zettelmeyer

made in W.-Germany

Wheel Loader ZL 22 C

Standard Bucket Capacity 1.2 m³



Germany's only wheel loader manufacturer with a complete performance range



Technical Data

- Operating weight 6.200 kg, standard bucket 1.2 m³ (1.6 cu. yd).
- Automatic hydrostatic drive with single pedal control. Forward/reverse shifting under load. High fuel economy.
- Creep gear: full engine output at walking speed.
- 79 HP/58 kW (SAE) Deutz Diesel, air-cooled.
- Portal axles with 100 % differential lock, hydraulically operated.
- 530 mm (1'9") ground clearance throughout.
- Central articulated steering (74° angle of turn).
- Load over height 3170 mm (10'5").
- All steel rollover safety (ROPS) cab – soundproofed.
- Range of quick change attachments available.
- Backhoe attachments for standard mounting plate.



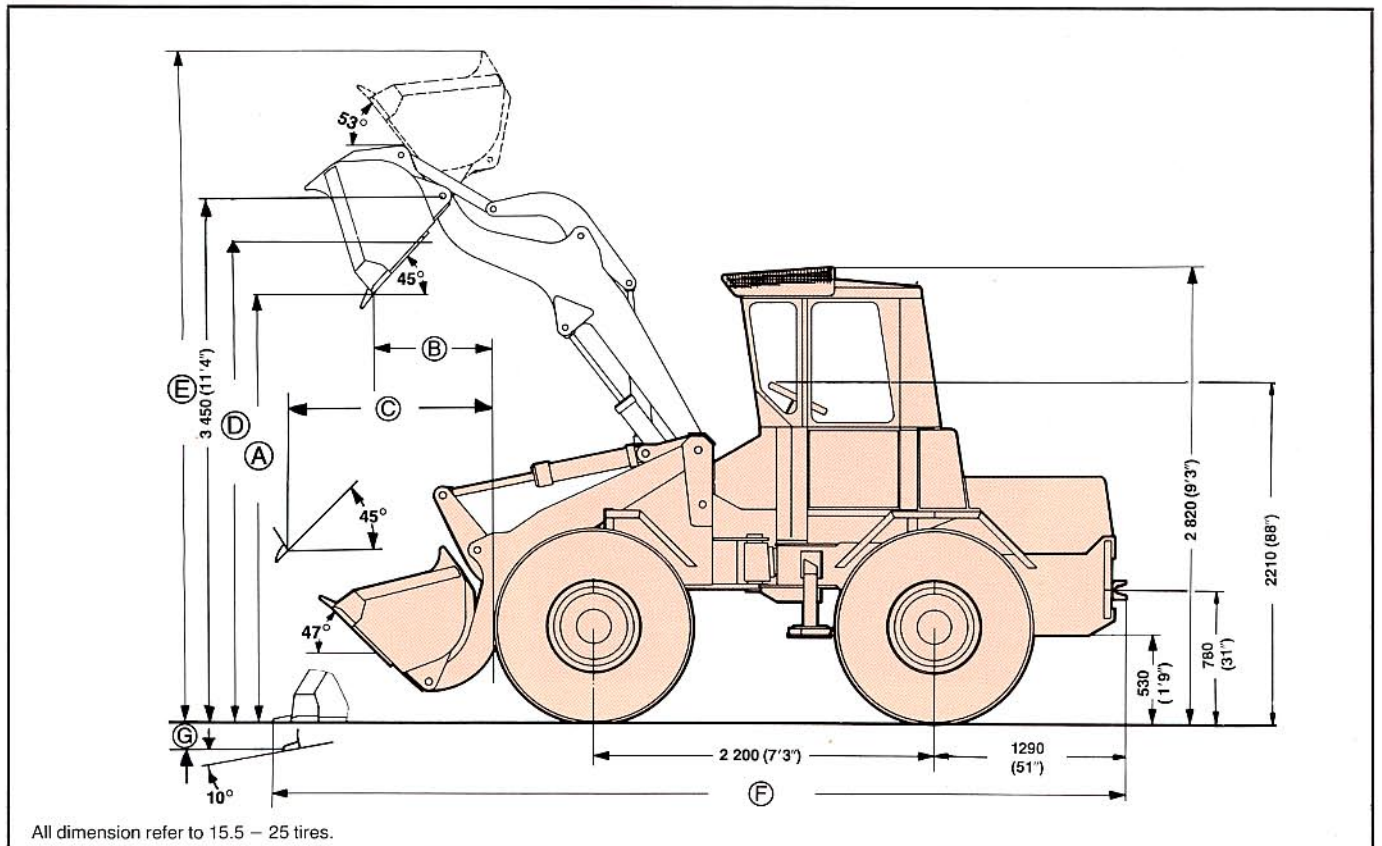
Exceptional cross-country mobility from oscillating articulated steering.

Specifications for 1.2 m³ (1.6 cu. yd) bucket and 15.5 – 25 EM, 10 PR tires

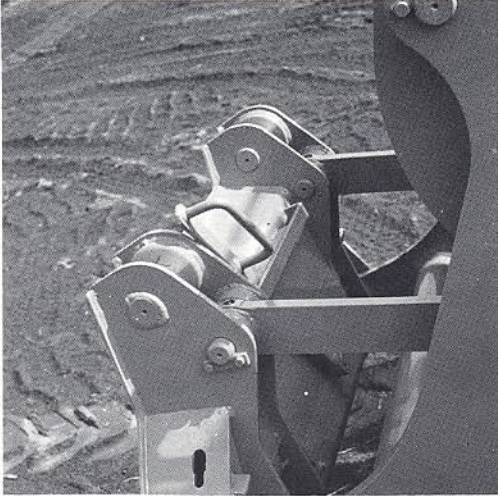
Operating weight	6 200 kg (13 668 lbs)	
Tipping load	3 800 kg (8 377 lbs)	
Operating dimensions	Standard bucket	1.2 m ³ (1.6 cu. yd) (for other bucket sizes see facing page)
	Width	2 250 mm (7'5")
	Lifting capacity	5 500 dN (12 125 lbs)
	Breakout force	6 000 dN (13 227 lbs)
	Dump height at 45°	2 730 mm (9')
	Reach at 45°	710 mm (2'4") (max. dump height)
	Rollback angle	maximum 63°
	Rollback angle	at maximum lift 53°
		in travel position 47°
	Dump angle	131° max.
	Dump angle	at max. lift 47°
	Lift time	6.0 seconds
	Lowering time	3.5 seconds
Engine	4 stroke diesel with direct fuel injection, rating at 2500 rpm 74 DIN HP (55 kW), 79 SAE HP (58 kW). 4 cylinders in line, displacing 3.771 (230 cu. in.), air-cooled, fuel tank capacity 120 l (32 gal. US/26 gal. Imp.).	
Power train	Hydrostatic drive. Automatic speed and torque regulation. Single pedal control for speed and rpm. Forward/reverse shifting under load. 2-speed power drive transmission. Reduction gear in wheel hubs.	
Axles	Allwheel drive via 2 portal axles with hydraulic locking differentials (100 % locking effect). Ground clearance 530 mm (1'9") throughout. Wheelbase front/rear axle 2200 mm (7'2 1/2").	
Speeds	Infinitely variable, working gear 0–12 km/h (7.5 mph); road gear 0–25 km/h (15.5 mph) stepless, forward and reverse.	
Brakes	1. Service brake: to all wheels via hydrostatic drive. 2. Service brake: to all wheels hydraulic. 3. Hand brake.	
Tires	Front and rear 15.5–25 EM, 10 PR.	
Steering (Centrally articulated)	Central articulated joint, stabilized lateral sway, 37° angle of turn in either direction. Power steering through 2 double-action cylinders.	
Hydraulic system	Max. pump output 95 l/min (25 gal. US; 21 gal. Imp.). Operating pressure: 180 bar (2,560 psi). 2 spool control valves with pressure relief valve. 2 lift and 2 bucket cylinders, both double-action. Automatic bucket positioning and automatic kickout.	
Electrical system	Operating voltage 12 V, battery 12 V / 143 Ah.	
Standard equipment	Rollover safety cab (ROPS) Safety-tested Soundproofed Cab noise level below 90 dB (A) Outside noise level below 80 dB (A) Fully equipped for travel on public roads Accessible from either side Heater Windshield washer Windshield wipers both front and rear Rockfall protection cab (FOPS) optional	

Buckets Dimension and weight for 15,5-25 tires	High dens. bucket	High dens. bucket	Standard bucket	Low dens. bucket	Low dens. bucket	Low dens. bucket	Low dens. bucket	4 in 1 bucket
Material density max.	2.4 t/m ³ 3708 lbs/cu. yd	2.0 t/m ³ 3034 lbs/cu. yd	1.6 t/m ³ 2528 lbs/cu. yd	1.2 t/m ³ 2023 lbs/cu. yd	0.8 t/m ³ 1686 lbs/cu. yd	0.6 t/m ³ 1348 lbs/cu. yd	0.4 t/m ³ 843 lbs/cu. yd	1.8 t/m ³ 3034 lbs/cu. yd
Capacity, heaped	0.8 m ³ 1.0 cu. yd	1.0 m ³ 1.3 cu. yd	1.2 m ³ 1.6 cu. yd	1.5 m ³ 2.0 cu. yd	2.0 m ³ 2.6 cu. yd	2.5 m ³ 3.3 cu. yd	3.25 m ³ 4.25 cu. yd	1.0 m ³ 1.3 cu. yd
Capacity, struck	0.65 m ³ 0.9 cu. yd	0.85 m ³ 1.1 cu. yd	1.02 m ³ 1.3 cu. yd	1.30 m ³ 1.7 cu. yd	1.7 m ³ 2.2 cu. yd	2.2 m ³ 2.9 cu. yd	2.8 m ³ 3.66 cu. yd	0.85 m ³ 1.1 cu. yd
Bucket width	2250 mm 7'5"	2250 mm 7'5"	2250 mm 7'5"	2250 mm 7'5"	2250 mm 7'5"	2250 mm 7'5"	2500 mm 7'8.5"	2250 mm 7'5"
Bucket weight	400 kg 882 lbs	420 kg 926 lbs	450 kg 992 lbs	490 kg 1080 lbs	630 kg 1389 lbs	680 kg 1499 lbs	850 kg 1874 lbs	850 kg 1874 lbs
Bucket teeth	8	8	8	8	8	8	8	8
Ⓐ Dump height	2900 mm 9'6"	2840 mm 9'4"	2735 mm 9"	2630 mm 8'8"	2450 mm 8'	2310 mm 7'7"	2100 mm 6'11"	2680 mm 8'10"
Ⓑ Reach at max. height	620 mm 2'	680 mm 2'3"	710 mm 2'4"	750 mm 2'5"	710 mm 2'4"	850 mm 2'9"	900 mm 2'11"	680 mm 2'3"
Ⓒ Reach at 1700 mm (5'7") height	1400 mm 4'7"	1460 mm 4'9"	1500 mm 4'11"	1530 mm 5'	1500 mm 4'11"	1640 mm 5'5"	1750 mm 5'9"	1460 mm 4'9"
Ⓓ Load over height	3200 mm 10'6"	3200 mm 10'6"	3165 mm 10'5"	3140 mm 10'4"	3060 mm 10'	3060 mm 10'	3000 mm 10'	3150 mm 10'4"
Ⓔ Lift height, max.	4280 mm 14'	4330 mm 14'4"	4400 mm 14'5"	4480 mm 14'8"	4600 mm 15'1"	4800 mm 15'9"	5000 mm 16'5"	4300 mm 14'3"
Ⓕ Total length	5160 mm 16'11"	5260 mm 17'3"	5400 mm 17'9"	5550 mm 18'2"	5770 mm 18'11"	5970 mm 19'7"	6200 mm 20'4"	5470 mm 17'11"
Ⓖ Dipping depth at 10°	130 mm 5"	140 mm 6"	210 mm 7'8"	275 mm 8'2"	440 mm 1'5"	470 mm 1'7"	500 mm 1'8"	370 mm 1'3"
Turning radius, outside bucket	4820 mm 15'10"	4850 mm 15'11"	4880 mm 16'	4930 mm 16'2"	5000 mm 16'5"	5100 mm 16'9"	5200 mm 17'1"	4900 mm 16'1"
Tipping load, straight	4100 kg 9039 lbs	4050 kg 8929 lbs	3800 kg 8377 lbs	3400 kg 7496 lbs	3200 kg 7055 lbs	2800 kg 6173 lbs	2600 kg 5732 lbs	3400 kg 7496 lbs
Tipping load, full-turn	3700 kg 8157 lbs	3650 kg 8047 lbs	3400 kg 7496 lbs	3000 kg 6614 lbs	2800 kg 6173 lbs	2400 kg 5291 lbs	2200 kg 4850 lbs	3000 kg 6614 lbs
Breakout force	8000 dN 17637 lbs	6800 dN 14991 lbs	6000 dN 13228 lbs	5300 dN 11684 lbs	4500 dN 9921 lbs	3800 dN 8377 lbs	3500 dN 7716 lbs	5900 dN 13007 lbs
Hydraulic lifting capacity	5700 dN 12588 lbs	5600 dN 12346 lbs	5500 dN 12125 lbs	5300 dN 11684 lbs	5000 dN 11023 lbs	4700 dN 10362 lbs	4200 dN 9259 lbs	5100 dN 11243 lbs
Operating weight	6150 kg 13558 lbs	6170 kg 13602 lbs	6200 kg 13669 lbs	6240 kg 13757 lbs	6380 kg 14065 lbs	6430 kg 14176 lbs	6600 kg 14550 lbs	6600 kg 14550 lbs

Optimum performance calls for the right bucket. 8 different buckets are available for the ZL 22 C. The right bucket for every type of material and for every kind of work. For instance: for medium density the 1.2 m³ (1.6 cu. yd) bucket, for low density the 3.25 m³ (4.25 cu. yd) bucket, for extremely high density the 0.8 m³ (1.0 cu. yd) bucket. A 4 in 1 bucket and several intermediate sizes are also available. Please ask for details.



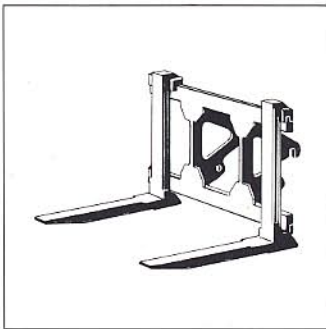
The versatility of the ZL 22 C is increased by the wide range of attachments available.



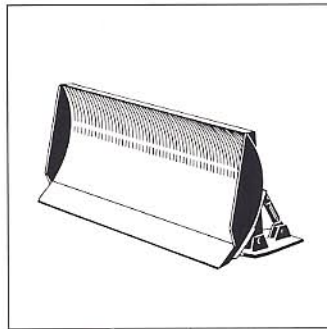
The ZL 22 C fitted with the well-known Zettelmeyer quick change system has proven its worth in more than a decade of work under every conceivable condition.



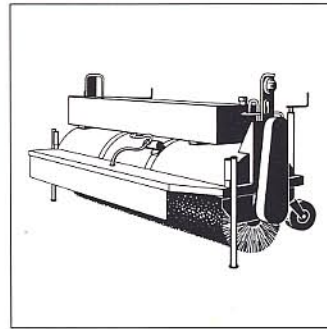
The standard rear mounting plate, here fitted with the high-performance ZL 22 C backhoe attachment HT 12. Digging depth 3600 mm (11'10"), discharge height 3200 mm (10'6"), 188° slew, max. side displacement 1260 mm (4'2"). Several other attachments are also available, please ask for details.



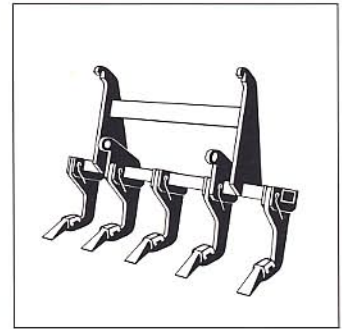
Quick change loading fork
Capacity 2000 kg (4400 lbs), lift height 3200 mm (10'6"), max. outside width 1700 mm (5'7") length of fork 1100 mm (3'7"), fork profile 125 x 45 mm (5' x 1 3/4").



Quick change dozer blade
Width 2250 mm (7'5"), height 850 mm (2'9"). 2 shoes for vertical positioning.



Quick change road sweeper
Width of sweep 2200 mm (7'3"), diameter of sweeper 550 mm (1'10"). Optional water tank 200 l (53 gal. US; 44 Imp.) capacity.



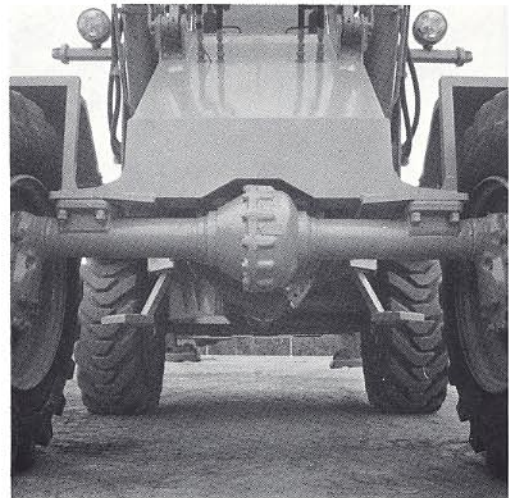
Quick change front scarifier
5 teeth, digging depth 400 mm (1'4"). teeth are equipped with replaceable tips.



Z-kinematics for optimum breakout force.



Quick and easy maintenance.



Portal axles give 530 mm (1'9") ground clearance throughout. Allwheel drive with 100 % effective differential locks for optimum performance under every condition.