

# **BM-VOLVO**

## **654**



Weight: 7.5 tons Standard bucket: 1.1/2 cu. yd. (1.1 m<sup>3</sup>) Engine: 113 hp

- 4-wheel drive, Power-Shift transmission, 2 speeds forwards and 1 reverse
- Comfortable, impact-tested safety cab is standard
- Vacuum-servo operated hydraulic brakes on all 4 wheels
- Tight turning circle radius
- Heavy-duty components for long life and reliability
- Easy access for inspection and service

## Specification BM-VOLVO 654

### Weights

Total	16,530 lb (7,500 kg)
Front axle	7,600 lb (3,450 kg)
Rear axle	8,930 lb (4,050 kg)

### Capacities SAE

Tipping load	8,600 lb (3900 kg)
Standard bucket	1½ cu.yd. (1.1 m³)

### Tyres sizes

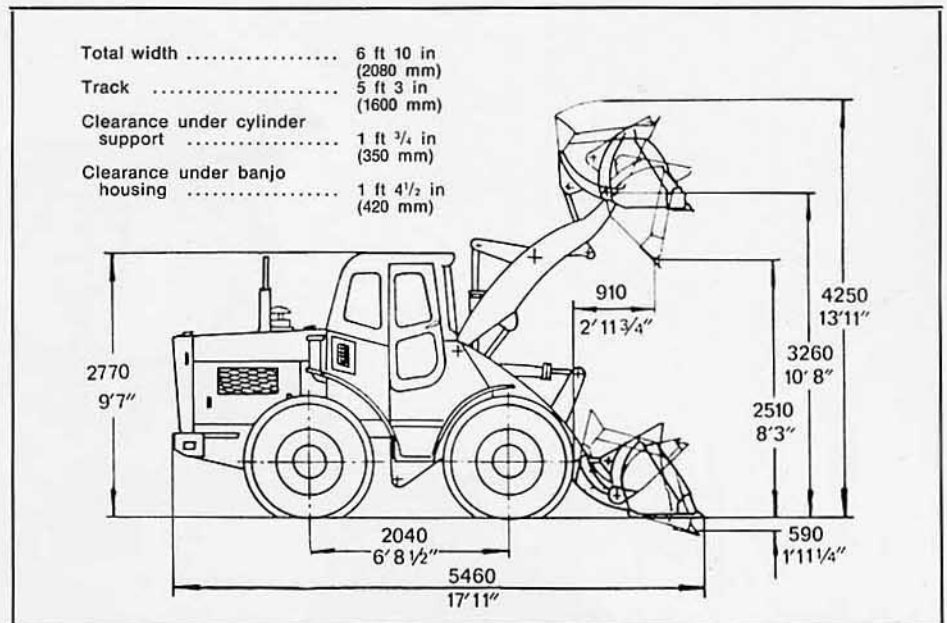
Standard tubeless	14.00×24/12
Optional tubeless	15.5×25/12
Optional tubeless	17.5×25/12

### Geometry

Max. dumping angle at max. lift height	46°
Max. tilt-back in carrying position	45°
Turning circle radius	18.7 ft (5.7 m)

### Engine

Type	Volvo diesel D 50 A
Rating, SAE, at 2,500 r.p.m.	113 hp
Max. torque, SAE, at 1,600 r.p.m.	267.6 ft.-lb. (37 kpm)
No. of cylinders	6



### Transmission

Converter with torque multiplication,	2-stage, ratio	5.1:1
Power-Shift gearbox	2 forward gears, 1 reverse gear	
Final drives (all 4 wheels)	Epicyclic gears in hubs	

### Speeds

I forward	0—6.2 mph (0—10 km/h)
reverse	0—7.5 mph (0—12 km/h)
II forward	0—18.6 mph (0—30 km/h)

### Brakes

Hydraulic, vacuum-servo, on 4 wheels

### Hydraulics

Pump capacity	33.4 Imp.gal/ min (152 l/min)
Working pressure	1849 lb/in² (130 kp/cm²)
Lifting time	6 s
Lowering time	4 s

### Standard equipment

Generator, starter, batteries, horn, voltage regulator, air cleaner, toolbox, two headlights at front and two at rear, tail lights, brake lights, directional indicators, suction fan for engine cooling, bonnet side panels, adjustable driver's seat, master switch and key, impact-proof cab, cab lighting, front and rear windscreen wipers, opening rear window, working lights, cigar lighter, outlet for wandering lead, cab heater and defroster, standard toothed bucket.

### Optional equipment

Engine preheater, electric fuel gauge, hydraulically or mechanically operated implement attachment, various types of implement (eg. rock bucket, snow bucket, angle-tine forks, lumber forks, crane jib, etc.)

The manufacturers reserve the right to change specifications without notice.



**BOLINDER-MUNKTELL**

— a member of the Volvo Group,  
Eskilstuna, Sweden

NR 2157 E