

BM-VOLVO 1254



Weight: 13.8 tons Standard bucket: 3 cu. yd (2.4 m³) Engine: 185 hp

- 4-wheel drive, Power-Shift transmission, 3 speeds in both forward and reverse
- Comfortable, impact-tested safety cab is standard
- Dual-circuit braking system, air-operated, acting on all 4 wheels
- Wide track, low c of g for excellent stability
- Tipping load 8.3 tons
- Easy access for inspection and service

Specification BM-VOLVO 1254

Weights

Total	30,420 lb. (13,800 kg)
Front axle	14,220 lb. (6,450 kg)
Rear axle	16,200 lb. (7,350 kg)

Capacities SAE

Tipping load	18,300 lb. (8,300 kg)
Standard bucket	3 cu.yd. (2.4 m ³)

Tyre sizes

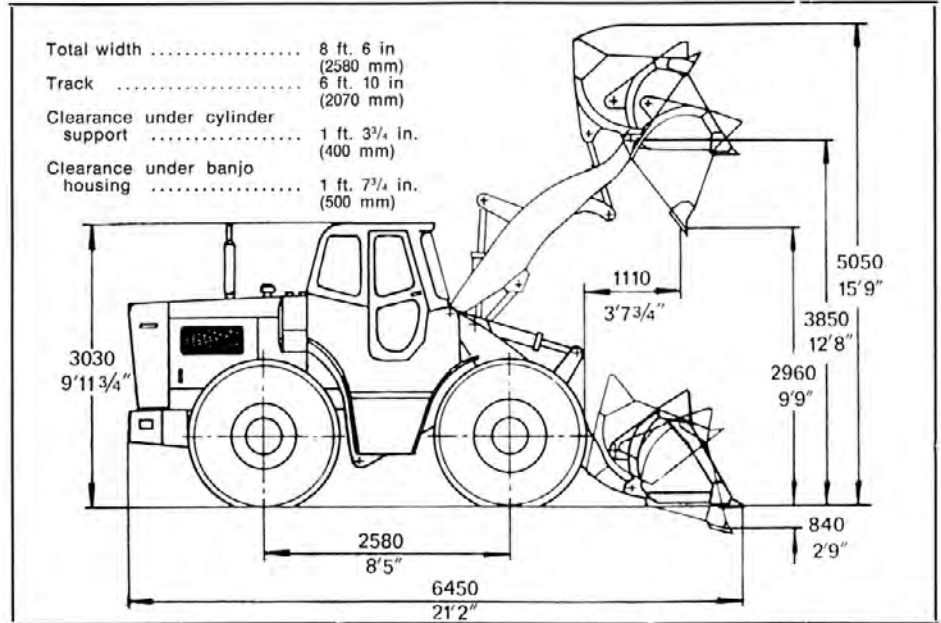
Standard tubeless	18.00×25/16
Optional tubeless	20.5×25/12
Optional tubeless	23.5×25/12

Geometry

Max. dumping angle at max. lift height	50°
Max. tilt-back in carrying position	46°
Turning circle radius	24.9 ft. (7.6 m)

Engine

Type	Volvo Diesel D 100 A
Rating, SAE, at 2,200 r.p.m.	185 hp
Max. torque, SAE, at 1,100 r.p.m.	499.1 ft.-lb./ 1100 rpm (69 kpm/1100 rpm)
No. of cylinders	6



Transmission

Converter with torque multiplication, ratio	3.0:1
Power-Shift gearbox	3 forward gears and 3 reverse
Final drives (all 4 wheels)	Epicyclic gear in hubs

Speeds forward and reverse

I	0—3.1 mph (0—5 km/h)
II	0—8.1 mph (0—13 km/h)
III	0—18.6 mph (0—30 km/h)

Brakes

Air operated, dual-circuit system, all 4 wheels

Hydraulics

Pump capacity	70.4 Imp.gal./min
Working pressure	1990 lb/in ² (140 kp/cm ²)
Lifting time	6 s
Lowering time	3.6 s

Standard equipment

Generator, starter, batteries, horn, voltage regulator, air cleaner, toolbox, two headlights at front and two at rear, tail lights, brake lights, directional indicators, suction fan for engine cooling, bonnet side panels, adjustable driver's seat, master switch and key, impact-proof cab, cab lighting, front and rear windscreen wipers, opening rear window, working lights, cigar lighter, outlet for wandering lead, cab heater and defroster, standard toothed bucket.

Optional equipment

Engine preheater, speedometer with milometer, hydraulically or mechanically operated implement attachment, various types of implement (eg. rock bucket, snow bucket, angle-tine forks, lumber forks, crane jib, etc.)



BOLINDER-MUNKTELL

— a member of the Volvo Group,
Eskilstuna, Sweden

Nr 2159 E