

	A	B	C	D	E	F	G	H	I	J
Cab	990	1195	1250	2130	1273	1300	844	3417	1225	286
Canopy				2110						

## OPERATING MASS

With Std arm +bucket/snap action

- cab: .....1685 kg
- canopy: .....1535 kg

With telescopic arm: .....+90Kg

## DIESEL ENGINE

PERKINS 103.12: .....1267cm<sup>3</sup>

3 cylinders, indirect injection .

Water-cooled

Net installed power (DIN6271):

.....25.4 HP (18.7 KW) at 2800 rpm

**SPEED** .....15 km/h

## TRANSMISSION

Hydrostatic, 4 driving wheels .

Tyres: .....Tubeless 27x8,5-15(6 ply)

Option: .....Puncture-proof tyre

Hydrostatic operating brake

Emergency and parking disk brake

**Traction force:** .....1200 daN

## HYDROSTATIC STEERING

• Selection 4 leading wheels.

• Selection 2 leading wheels (rear)

Turning radius: .....1750mm

## ACCESSORIES

**Standard attachment:**

- Bucket 300 l (With teeth) (Without teeth)

**Snap-action:**

- Bucket 4x1 (250 l)
- Bucket 300 l (With teeth) (Without teeth)
- Pallet lifter
- POLARS snow chains

## HYDRAULIC SYSTEM

Capacity of circuit: .....36 l

**1 Variable flow rate pump:**

Translation

Operating pressure: .....300 bar

**1 Fixed flow rate pump:**

Steering / Equipment

Operating pressure:

• Attachment: .....250 bar

• Steering : .....175 bar

Secondary pressures:

- Attachment: .....275 bar

- Steering : .....240 bar

**Accessories circuit:**

• Max. flow rate: .....22 l/min

## POWER OF EQUIPMENT

Wrenching force :

• with bucket cylinder: .....930 daN

• with lifting cylinder: .....870 daN

Tipping load (With canopy): .....790 Kg

Lifting load (With canopy): .....395 Kg

## DIESEL OIL

Consumption: .....4,5 l/h

## ELECTRICAL CIRCUIT

Battery: .....12 V - 70 AH

Alternator: .....12 V - 35 A

Starting motor: .....12 V - 2 KW

## SOUNDPROOFING

Soundproofing in accordance with existing EEC directive.

• Outside sound level (L<sub>W</sub>A) :.. 101,2 dB(A)

• Sound level:

- In the cab (L<sub>p</sub>A): .....86 dB(A)

- With the canopy (L<sub>p</sub>A): .....86 dB(A)

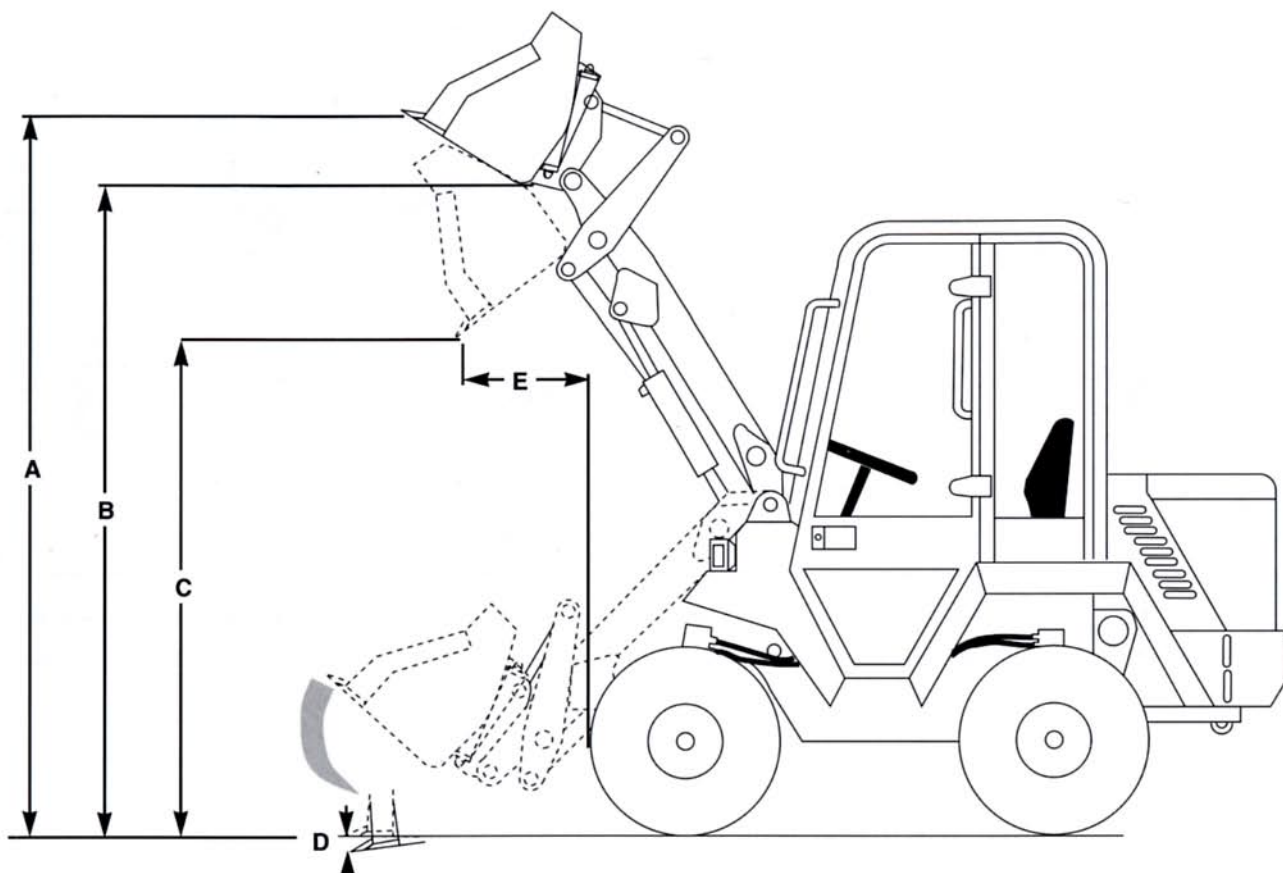
## CAB

Roll-over protective

- "ROPS" type

Object fall protective grid:

- FOPS-Level 2 - approved.



- (1)- Bucket without teeth
- (2)- Bucket with teeth (Std)

		A	B	C	D	E
Standard arm	(1) mm	2531	2272	1736	140	434
	(2) mm	2500	2272	1775	140	397
Telescopic arm	(1) mm	2897	2560	2034	140	628
	(2) mm	2860	2560	2069	140	588

E5400253/GB -08/93

**Pel-Job** 

ECOMAT  
 Avenue Charles DE GAULLE  
 01303 BELLEY Cédex - FRANCE  
 Tél. 79 81 15 09  
 Téléc 980 366 F  
 Téléfax 79 81 39 63

Machine designed and  
 manufactured in France

In accordance with its established  
 policy of constant improvement PEL-  
 JOB reserves the right to amend this  
 specifications without notice.

**GRUPE PEL-JOB**